

# LIGHTING & ELECTRICAL COMPONENTS PRODUCT GUIDE

F91



ELECTRICAL DEVICES INC.

 **ETLIN-DANIELS**

# OUR HISTORY

ELECTRICAL AND MECHANICAL HARDWARE,  
LIGHTING AND ELECTRICAL COMPONENTS,  
AND LED FIXTURES AND EMERGENCY LIGHTING



**ETLIN-DANIELS** has manufactured and supplied Electrical and Mechanical Hardware products to the North American Market since Henry B. Etlin founded HB Etlin Co. in 1949. Originally a metal stamping facility, the building still resonates with the sounds of metal and copper being stamped into many formed products for today's OEM and Distribution markets. And, while we no longer make all of the original products in-house, the current machinery and production associates are able to furnish many standard and custom designed solutions with much more aggressive lead times than the overseas suppliers many of our competitors currently rely on.

A very comprehensive line of Lighting Components was added to the HB Etlin mix in the 1990's that includes Lampholders for Incandescent, Halogen, Fluorescent, Compact Fluorescent and HID lamps, Power Cords, Outlets and Plugs, Switches, AC & DC Fans, Halogen & Outdoor Transformers, Ballasts – Magnetic & Electronic, and Sensors. Over the next decade, and through acquisition integration, the Lamp Parts and Lighting Suspension Systems categories were built up. More recent additions, with a focus on today's technologies, and the demands of our market, have added on LED Drivers and Lighting Controls – two categories that we will continue to focus on and grow. In the mid 1990's, associates in Etlin-Daniels purchased Electrical Devices Inc. (EDI), a manufacturer of Miniature Lampholders, Indicator Lights and Wire Harnesses. EDI offers turn-key engineered solutions in wire harnesses and custom cable assemblies for electromechanical and power supply applications. Their commitments to quality control, competitive pricing and on-time deliveries have made EDI a valued partner to many OEMS and wholesalers.



In 2015, Etlin-Daniels decided to employ the knowledge and experience garnered from over 65 years in North America's Electrical Industry, along with decades of strong relationships with global electrical and electronic manufacturers to launch a comprehensive line of LED Fixtures and Emergency Lighting. We work very closely with our overseas partners to design high quality and competitively priced lighting solutions with many value-add, customizable options. We continue to grow this offering in 2017.

**ETLIN-DANIELS** and **ELECTRICAL DEVICES INC.** have long-term ties to the North American OEM and Distribution networks. We focus on quality and service and we employ decades of knowledge and experience in all facets of our products and processes. We look forward to growing long-term, mutually beneficial relationships with our existing and new customers.



# CONTENTS

<b>BALLASTS</b>	<b>A1 - A17</b>
<b>DRIVERS</b>	<b>B1 - B7</b>
<b>LOW VOLTAGE TRANSFORMERS FOR HALOGEN LIGHTING</b>	<b>C1 - C4</b>
<b>COMPACT FLUORESCENT LAMPHOLDERS</b>	<b>D1 - D16</b>
<b>LINEAR FLUORESCENT LAMPHOLDERS</b>	<b>E1 - E28</b>
<b>HIGH OUTPUT &amp; SLIMLINE LINEAR FLUORESCENT LAMPHOLDERS</b>	<b>F1 - F14</b>
<b>HALOGEN LAMPHOLDERS</b>	<b>G1 - G12</b>
<b>INCANDESCENT LAMPHOLDERS</b>	<b>H1 - H25</b>
<b>LAMP PARTS</b>	<b>I1 - I20</b>
<b>LIGHTING SUSPENSION SYSTEM</b>	<b>J1 - J18</b>
<b>POWER CORDS</b>	<b>K1 - K18</b>
<b>OUTLETS AND PLUGS</b>	<b>L1 - L2</b>
<b>WIRE AND CABLE</b>	<b>M1 - M5</b>
<b>SWITCHES</b>	<b>N1 - N26</b>
<b>FANS</b>	<b>O1 - O15</b>
<b>SENSORS</b>	<b>P1 - P6</b>
<b>MINIATURE LAMPHOLDERS</b>	<b>Q1 - Q16</b>
<b>INDICATOR LIGHTS</b>	<b>R1 - R13</b>

Etlin-Daniels reserves the right to discontinue existing products or modify specifications without incurring liability. Etlin-Daniels will update Product Specifications based on any modification to the manufacture of existing products. While every effort is exercised to ensure that all specifications and descriptions in this catalogue are correct, Etlin-Daniels will not incur any liability for any errors made herein.

All warranties are voided if any product is installed improperly, or in an improper environment, altered in any manner, or is not used in accordance with normal operating conditions as per labels and instructions.

**Etlin-Daniels Head Office**  
 1850 Wilson Ave. · Toronto, ON · M9M 1A1 · Tel: 416.741.7336 · Fax: 416.741.9104  
 Toll Free: in Canada. 1.800.661.9610 · in USA. 1.888.762.5384 (SOCKETS4U)  
 For sales/service questions - [sales@etlin.com](mailto:sales@etlin.com)  
[www.etlin-daniels.com](http://www.etlin-daniels.com)



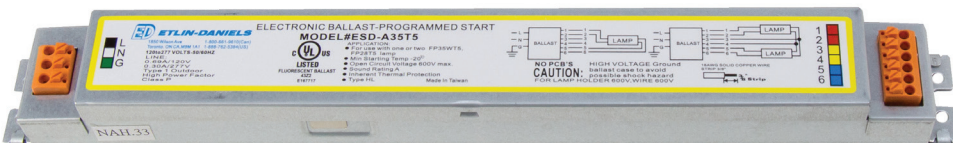
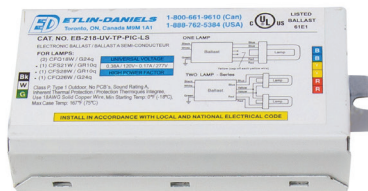




# ELECTRONIC BALLASTS

## SECTION A ELECTRONIC BALLASTS

T5 Linear Lamps	A2
T8 Linear Lamps	A3
T5 Compact Fluorescent Lamps - CF Type	A4 - A5
Long Twin Tube - 2G11 Type	A6 - A7
Circline Lamps	A8



# ELECTRONIC BALLASTS FOR FLUORESCENT LAMPS

A2

## T5 LINEAR LAMPS



ELECTRONIC BALLASTS

LAMP WATTS	LAMP TYPE	NO. OF LAMPS	CAT. NO.	INPUT VOLTS	INPUT CURRENT	INPUT WATTS	POWER FACTOR	THD %	BALLASTS FACTOR	WIRING DIAGRAM	DIMENSIONS	STARTING METHOD
14W	F14T5	1	ESD-A21T5	120 - 277V	0.15 - 0.07	18	> 0.97	< 10/20	0.99	48	AA2	PS
14W	F14T5	2	ESD-A21T5	120 - 277V	0.28 - 0.13	34	> 0.99	< 10/15	0.93	49	AA2	PS
21W	F21T5	1	ESD-A21T5	120 - 277V	0.20 - 0.09	24	> 0.97	< 10/20	0.97	48	AA2	PS
21W	F21T5	2	ESD-A21T5	120 - 277V	0.40 - 0.17	48	> 0.99	< 10	0.93	49	AA2	PS
21W	F21T5HE	1	EB-135HE-1-TP	120V	0.34	22	> 0.5	< 150	1	28	N1	RS
21W	F21T5HE	2	EB-228-1-TP-PH	120V	0.6	41	> 0.5	< 130	0.9	38	L7	PH
24W	F24T5HO	1	EB-139HO-1-TP	120V	0.41	28	> 0.5	< 150	1	28	N1	RS
24W	F24T5HO	1	EB-239HO-UV-TP-PS-LS	120 - 277V	0.24 - 0.12	29	> 0.92	< 12	1,1	37	U4	PS
24W	F24T5HO	2	EB-239HO-UV-TP-PS	120 - 277V	0.44 - 0.20	52	> 0.97	< 12	1	36	U4	PS
28W	F28T5	1	EB-135HE-1-TP	120V	0.41	28	> 0.5	< 130	0.92	28	N1	RS
28W	F28T5	1	EB-128-1-TP-FC-PH	120V	0.42	30	> 0.5	< 130	0.95	28	V1	RS
28W	F28T5	1	ESD-A35T5	120 - 277V	0.29 - 0.13	36	> 0.99	< 10/20	1.07	48	AA2	PS
28W	F28T5	1	ESD-B35T5	277 - 347V	0.12 - 0.11	34	> 0.99	< 30	1	48	AA2	PS
28W	F28T5	1	FSD-A18PBM	120 - 277V	0.29 - 0.14	36	> 0.98	< 10	1.01	5	AA23	PS
28W	F28T5	2	EB-228-1-TP-PH	120V	0.70	50	> 0.5	< 130	0.8	38	L7	PH
28W	F28T5	2	ESD-B35T5	277 - 347V	0.24 - 0.19	66	> 0.99	< 10	0.96	49	AA2	PS
35W	F35T5	1	ESD-A35T5	120 - 277V	0.35 - 0.16	44	> 0.98	< 10/15	1.03	48	AA2	PS
35W	F35T5	1	ESD-B35T5	277 - 347V	0.15 - 0.12	44	> 0.98	< 10/15	0.99	48	AA2	PS
35W	F35T5	2	ESD-B35T5	277 - 347V	0.28 - 0.23	78	> 0.97	< 10	0.9	49	AA2	PS
35W	F35T5HE	1	EB-135HE-1-TP	120V	0.48	34	> 0.5	< 130	0.88	28	N1	RS
35W	F35T5HE	1	EB-235HE-UV-TP-PS	120 - 277V	0.34 - 0.15	41	> 0.98	< 10	1	37	U4	PS
39W	F39T5	2	ESD-A54T5	120 - 277V	0.76 - 0.33	92	> 0.98	< 10/15	0.99	49	AA4	PS
39W	F39T5	2	ESD-B54T5	277 - 347V	0.3 - 0.25	84	> 0.99	< 10	0.93	49	AA4	PS
39W	F39T5-HO	1	EB-139HO-1-TP	120V	0.49	35	> 0.5	< 130	0.9	28	N1	RS
39W	F39T5-HO	1	EB-239HO-UV-TP-PS-LS	120 - 277V	0.40 - 0.18	48	> 0.96	< 12	1.15	37	U4	PS
54W	F54T5HO	1	EB-254HO-UV-TP-PS-LS	120 - 277V	0.51 - 0.23	61	> 0.98	< 10	1.02	37	U4	PS
54W	F54T5HO	1	EB-454HO-UV-TP-PS-SL	120 - 277V	0.52 - 0.25	63	> 0.91	< 20	1.02	48	L10	PS
54W	F54T5HO	1	ESD-A54T5	120 - 277V	0.5 - 0.23	60	> 0.98	< 10/15	0.99	48	AA4	PS
54W	F54T5HO	1	ESD-B54T5	277 - 347V	0.22 - 0.18	61	> 0.99	< 15	0.97	48	AA4	PS
54W	F54T5HO	2	EB-454HO-UV-TP-PS-SL	120 - 277V	0.98 - 0.44	116	> 0.97	< 15	1	47	L10	PS
54W	F54T5HO	2	ESD-A54T5	120 - 277V	0.96 - 0.41	118	> 0.98	< 10	1	49	AA4	PS
54W	F54T5HO	2	ESD-B54T5	277 - 347V	0.43 - 0.34	119	> 0.99	< 10	0.93	49	AA4	PS
54W	F54T5HO	3	EB-454HO-UV-TP-PS-SL	120 - 277V	1.42 - 0.62	170	> 0.98	< 15	1.02	48	L10	PS
54W	F54T5HO	4	EB-454HO-UV-TP-PS-SL	120 - 277V	1.85 - 0.79	220	> 0.99	< 10	1	47	L10	PS

### APPROVALS: UL, cUL

- Please see case styles on pages A11-A13 and wiring diagrams on pages A14-A17 & SUFFIX GUIDE on page A17.
- \* replace "-SC" with "-SCS" for model with studs; with "SC-RJ" for model with bottom out leads; with "-SC-RJS" with bottom out leads and with studs.
- # add "EMI" for model with EMI filter, comply with FCC Class B.



FOR MORE INFORMATION PLEASE CALL 1-800-661-9610 (HEAD OFFICE) 1-888-762-5384 (USA)

PLEASE CONSULT THE FACTORY FOR MORE PRODUCTS AND CUSTOMIZATION.  
PRODUCT DETAILS AND SPECIFICATIONS ARE SUBJECT TO CHANGE WITHOUT NOTICE.



# ELECTRONIC BALLASTS FOR FLUORESCENT LAMPS

## T8 LINEAR LAMPS & U-BEND



LAMP WATTS	LAMP TYPE	NO. OF LAMPS	CAT. NO.	INPUT VOLTS	INPUT CURRENT	INPUT WATTS	POWER FACTOR	THD %	BALLASTS FACTOR	WIRING DIAGRAM	DIMENSIONS	STARTING METHOD
13W	F13T8	1	EB-126-1-TP-PC	120V	0.27	16	> 0.5	< 160	1.1	28	S1	RS
15W	F15T8	1	EB-126-1-TP-PC	120V	0.27	17	> 0.5	< 150	1	28	N1	RS
15W	F15T8	1	EB-132-1-TP-FC	120V	0.20	14	> 0.5	< 160	0.90	28	N1	RS
17W	F17T8	1	EB-126-1-TP-PC	120V	0.31	20	> 0.5	< 150	1	28	S1	RS
17W	F17T8	1	EB-132-1-TP-FC	120V	0.18	22	> 0.99	< 12	1	28	L3	IS
17W	F17T8	2	EB-232LBF-UV-TP-PIC	120 - 277V	0.28 - 0.12	33	> 0.97	< 10	0.9	28	L5	IS
17W	F17T8	3	EB-432RIS-1-TP	120V	0.82	46	> 0.5	< 150	0.87	13	L5	IS
17W	F17T8	3	EB-332LBF-UV-TP-PIC	120 - 277V	0.43 - 0.19	51	> 0.97	< 10	0.9	5	L5	IS
18W	F18T8-24"	1	ESD-A21T5	120V	0.27	17	> 0.5	< 160	0.95	49	S1	RS
25W	F25T8	1	EB-126-1-TP-PC	120V	0.41	28	> 0.5	< 130	0.95	28	S1	RS
25W	F25T8	1	EB-132-1-TP-FC	120V	0.41	28	> 0.5	< 130	1.05	5	L7	RS
25W	F25T8	2	EB-232LBF-UV-TP-PIC	120 - 277V	0.39 - 0.17	46	> 0.99	< 10	0.9	33	L5	IS
32W	F32T8	1	EB-126-1-TP-PC	120V	0.51	35	> 0.5	< 130	1.1	28	S1	RS
32W	F32T8	1	EB-132-1-TP-FC	120V	0.48	32	> 0.5	< 130	0.95	28	L7	RS
32W	F32T8	2	EB-232LBF-UV-TP-PIC	120 - 277V	0.49 - 0.22	59	> 0.99	< 10	0.88	12	L5	IS
32W	F32T8	2	EB-232RIS-1-TP	120V	0.79	54	> 0.5	< 120	0.83	12	L5	IS
32W	F32T8	3	EB-332LBF-UV-TP-PIC	120 - 277V	0.76 - 0.33	90	> 0.99	< 10	0.88	13	L5	IS
32W	F32T8	4	EB-432LBF-UV-TP-PIC	120 - 277V	0.93 - 0.40	112	> 0.99	< 10	0.88	14	L5	IS
40W	F40T8	1	EB-232LBF-UV-TP-PIC	120 - 277V	0.16 - 0.37	43	> 0.99	< 10	1	31	L5	IS
40W	F40T8	2	EB-332LBF-UV-TP-PIC	120 - 277V	0.28 - 0.65	77	> 0.98	< 10	0.88	12	L5	IS
40W	F40T8	3	EB-432LBF-UV-TP-PIC	120 - 277V	0.40 - 0.90	108	> 0.98	< 10	0.88	13	L5	IS

### APPROVALS: UL, cUL

- Please see case styles on pages A11-A13 and wiring diagrams on pages A14-A17 & SUFFIX GUIDE on page A17.
- \* replace "-SC" with "-SCS" for model with studs; with "SC-RJ" for model with bottom out leads; with "-SC-RJS" with bottom out leads and with studs.
- # add "EMI" for model with EMI filter, comply with FCC Class B.

FOR MORE INFORMATION PLEASE CALL 1-800-661-9610 (HEAD OFFICE) 1-888-762-5384 (USA)

PLEASE CONSULT THE FACTORY FOR MORE PRODUCTS AND CUSTOMIZATION.  
PRODUCT DETAILS AND SPECIFICATIONS ARE SUBJECT TO CHANGE WITHOUT NOTICE.



# ELECTRONIC BALLASTS FOR COMPACT FLUORESCENT LAMPS

A4

## T5 COMPACT FLUORESCENT LAMPS



ELECTRONIC BALLASTS

LAMP WATTS	LAMP TYPE	NO. OF LAMPS	CAT. NO.	INPUT VOLTS	INPUT CURRENT	INPUT WATTS	POWER FACTOR	THD %	BALLASTS FACTOR	WIRING DIAGRAM	DIMENSIONS	STARTING METHOD
13W	CFQ13W /G24q	2	CSD-UV-18P	120 - 277V	0.29 - 0.13	35	> 0.98	< 10/15	1.3	33	AA15	PS
13W	CFQ13W /GX24q	2	EB-213-UV-TP-PIC-LS	120 - 277V	0.27 - 0.12	32	> 0.99	< 10	1.05	33	T1	RS
13W	CFQ13W /GX24q	2	EB-213-UV-TP-PIC-TB	120 - 277V	0.27 - 0.12	32	> 0.99	< 10	1.05	33	T1	RS
13W	CFTR13W /GX24q	1	CSD-UV-18P	120 - 277V	0.18 - 0.07	19	> 0.96	< 17	1.47	35	AA15	PS
13W	CFTR13W /GX24q	1	FSD-A18PBM/PS	120 - 277V	0.14 - 0.07	18	> 0.97	< 10/20	0.95	35	AA23	PS
13W	CFTR13W /GX24q	1	EB-213-UV-TP-PIC	120 - 277V	0.14 - 0.065	17	> 0.95	< 12	1.05	35	W1	PS
13W	CFTR13W /GX24q	2	CSD-UV-18P	120 - 277V	0.28 - 0.13	35	> 0.98	< 10/15	1.3	33	AA15	PS
13W	CFTR13W /GX24q	2	FSD-A18PBM/PS	120 - 277V	0.27 - 0.12	33	> 0.98	< 10	0.91	33	AA23	PS
18W	CFQ18W /G24q	1	EB-213-UV-TP-PIC	120 - 277V	0.20 - 0.0085	23	> 0.98	< 12	1.2	35	T1	RS
18W	CFQ18W /G24q	2	EB-218-UV-TP-PIC-LS	120 - 277V	0.36 - 0.16	40	> 0.99	< 10	1.1	33	T1	RS
18W	CFQ18W /G24q	2	EB-218-UV-TP-PIC-TB	120 - 277V	0.36 - 0.16	40	> 0.99	< 10	1.1	33	T1	RS
18W	CFTR18W /GX24q	1	CSD-UV-18P	120 - 277V	0.18 - 0.08	22	> 0.97	< 15	1.29	35	AA15	PS
18W	CFTR18W /GX24q	1	FSD-A18PBM/PS	120 - 277V	0.17 - 0.08	21	> 0.97	< 15	0.92	35	AA23	PS
18W	CFTR18W /GX24q	2	CSD-UV-18P	120 - 277V	0.34 - 0.15	41	> 0.98	< 10/15	1.12	33	AA15	PS
18W	CFTR18W /GX24q	2	FSD-A18PBM/PS	120 - 277V	0.32 - 0.15	39	> 0.98	< 10/15	0.85	33	AA23	PS
26W	CFQ26W /G24q	1	CSD-UV32P	120 - 277V	0.29 - 0.13	36	> 0.95	< 10/40	1	35	AA18	PS
26W	CFQ26W /G24q	1	CSD-UV32PX	120 - 277V	0.29 - 0.13	36	> 0.95	< 10/40	1	35	AA5	PS
26W	CFQ26W /G24q	1	CSD-UV42PSL	120 - 277V	0.3 - 0.13	36	> 0.98	< 20/50	0.99	35	AA19	PS
26W	CFQ26W /G24q	1	CSD-UV42PBMS	120 - 277V	0.24 - 0.13	30	> 0.97	< 30/60	1	35	AA21	PS
26W	CFQ26W /G24q	1	EB-218-UV-TP-PIC	120 - 277V	0.26 - 0.11	30	> 0.98	< 10	1.05	35	T1	RS
26W	CFQ26W /G24q	1	FSD-A32PBM	120 - 277V	0.19 - 0.09	23	> 0.98	< 10/15	0.74	35	AA23	PS
26W	CFQ26W /G24q	2	CSD-B42PBMS	277 - 347V	0.22 - 0.18	60	> 0.98	< 15	1	33	AA20	PS
26W	CFQ26W /G24q	2	CSD-UV32PX	120 - 277V	0.49 - 0.21	59	> 0.99	< 10	1	33	AA15	PS

### APPROVALS: UL, cUL

- Please see case styles on pages A11-A13 and wiring diagrams on pages A14-A17 & SUFFIX GUIDE on page A17.
- \* replace "-SC" with "-SCS" for model with studs; with "SC-RJ" for model with bottom out leads; with "-SC-RJS" with bottom out leads and with studs.
- # add "EMI" for model with EMI filter, comply with FCC Class B.



FOR MORE INFORMATION PLEASE CALL 1-800-661-9610 (HEAD OFFICE) 1-888-762-5384 (USA)

PLEASE CONSULT THE FACTORY FOR MORE PRODUCTS AND CUSTOMIZATION.  
PRODUCT DETAILS AND SPECIFICATIONS ARE SUBJECT TO CHANGE WITHOUT NOTICE.



# ELECTRONIC BALLASTS FOR COMPACT FLUORESCENT LAMPS

## T5 COMPACT FLUORESCENT LAMPS



LAMP WATTS	LAMP TYPE	NO. OF LAMPS	CAT. NO.	INPUT VOLTS	INPUT CURRENT	INPUT WATTS	POWER FACTOR	THD %	BALLASTS FACTOR	WIRING DIAGRAM	DIMENSIONS	STARTING METHOD
26W	CFQ26W /G24q	2	CSD-UV42PLS	120 - 277V	0.46 - 0.21	56	> 0.98	< 10/20	1.07	33	AA19	PS
26W	CFQ26W /G24q	2	CSD-UV42PBMS	120 - 277V	0.46 - 0.21	56	> 0.98	< 10/20	1.07	33	AA19	PS
26W	CFQ26W /G24q	2	EB-242T-UV-TP-PIC	120 - 277V	0.50 - 0.22	60	> 0.97	< 10	1.05	33	T2	RS
26W	CFQ26W /G24q	2	FSD-A32PBM	120 - 277V	0.50 - 0.22	59	> 0.98	< 10/20	0.93	33	AA23	PS
26W	CFTR26W /GX24q	2	EB-242T-UV-TP-PIC	120 - 277V	0.48 - 0.21	56	> 0.97	< 10	1	33	T2	RS
32W	CFTR32W /GX24q	1	CSD-UV32P	120 - 277V	0.33 - 0.15	36	> 0.98	< 10/20	0.94	35	AA18	PS
32W	CFTR32W /GX24q	1	CSD-UV42PBMS	120 - 277V	0.30 - 0.13	35	> 0.98	< 20/15	0.88	35	AA21	PS
32W	CFTR32W /GX24q	2	EB-242-UV-TP-PIC	120 - 277V	0.62 - 0.27	74	> 0.97	< 10	1	33	T2	RS
32W	CFTR32W /GX24q	1	FSD-B32PBM	277 - 347V	0.13 - 0.11	35	> 0.98	< 15	0.88	35	AA23	PS
42W	CFTR42W /GX24q	1	CSD-UV32P	120 - 277V	0.37 - 0.17	46	> 0.99	< 10/15	0.89	35	AA18	PS
42W	CFTR42W /GX24q	1	CSD-UV32PX	120 - 277V	0.37 - 0.17	46	> 0.99	< 10/15	0.89	35	AA15	PS
42W	CFTR42W /GX24q	1	CSD-UV42PBMS	120 - 277V	0.38 - 0.18	46	> 0.98	< 15/30	0.99	35	AA21	PS
42W	CFTR42W /GX24q	1	FSD-B32PBM	277 - 347V	0.17 - 0.14	47	> 0.99	< 10	0.93	35	AA23	PS
42W	CFTR42W /GX24q	2	CSD-B42P/L	277 - 347V	0.34 - 0.27	95	> 0.98	< 10	0.91	33	AA19	PS
42W	CFTR42W /GX24q	2	CSD-UV42PBM	120 - 277V	0.74 - 0.32	88	> 0.99	< 10/20	0.92	33	AA20	PS
42W	CFTR42W /GX24q	2	FSD-B32PBM	277 - 347V	0.26 - 0.20	69	> 0.99	< 10	0.85	33	AA23	PS
57W	CFTR57W /GX24q	1	CSD-UV57PS	120 - 277V	0.46 - 0.21	57	> 0.98	< 10/20	0.86	35	AA19	PS
57W	CFTR57W /GX24q	2	CSD-UV57PS	120 - 277V	0.92 - 0.41	111	> 0.98	< 10/15	0.79	33	AA19	PS
57W	CFTR57W /GX24q	2	CSD-UV57PS	120 - 277V	0.99 - 0.43	119	> 0.99	< 10	0.93	33	AA26	PS

### APPROVALS: UL, cUL

- Please see case styles on pages A11-A13 and wiring diagrams on pages A14-A17 & SUFFIX GUIDE on page A17.
- \* Ballast with bottom out connectors and with studs, Add "NS" for case with bottom out connectors and without studs, Add "LS" for case with lead wire out and with studs, Add "NL" for case with lead wire out and without studs.
- # replace "-SC" with "-SCS" for model with studs; with "SC-RJ" for model with bottom out leads; with "-SC-RJS" with bottom out leads and with studs.

FOR MORE INFORMATION PLEASE CALL 1-800-661-9610 (HEAD OFFICE) 1-888-762-5384 (USA)

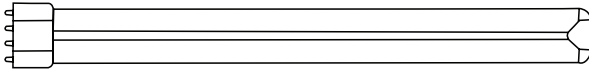
PLEASE CONSULT THE FACTORY FOR MORE PRODUCTS AND CUSTOMIZATION.  
PRODUCT DETAILS AND SPECIFICATIONS ARE SUBJECT TO CHANGE WITHOUT NOTICE.



# ELECTRONIC BALLASTS FOR LONG TWIN LAMPS 2G11 BASE / BIAX

A6

## LONG TWIN TUBE / BIAX / PLL LAMPS



ELECTRONIC BALLASTS

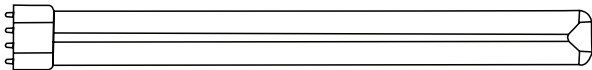
LAMP WATTS	LAMP TYPE	NO. OF LAMPS	CAT. NO.	INPUT VOLTS	INPUT CURRENT	INPUT WATTS	POWER FACTOR	THD %	BALLASTS FACTOR	WIRING DIAGRAM	DIMENSIONS	STARTING METHOD
24W	FT24W / 2G11	1	EB-139HO-1-TP	120V	0.43	28	> 0.5	< 150	1	26	N1	RS
24W	FT24W / 2G11	2	FSD-B32PBM	277 - 347V	0.20 - 0.16	54	> 0.99	< 10	0.88	33	AA23	PS
36W	FT36W / 2G11	1	CSD-UV42PS/L	120 - 277V	0.28 - 0.13	35	> 0.92	< 25/45	0.89	35	AA19	PS
36W	FT36W / 2G11	1	CSD-UV42PBMS	120 - 277V	0.28 - 0.13	34	> 0.95	< 25/45	0.89	35	AA20	PS
36W	FT36W / 2G11	1	EB-139HO-1-TP	120V	0.48	33	> 0.5	< 150	0.9	26	N1	RS
36W	FT36W / 2G11	1	FSD-B32PBM	120 - 277V	0.29 - 0.13	34	> 0.97	< 10/30	0.83	35	AA23	PS
36W	FT36W / 2G11	1	FSD-B32PBM	277 - 347V	0.13 - 0.1	34	> 0.99	< 10/15	0.82	35	AA23	PS
36W	FT36W / 2G11	2	CSD-B42P/L	277 - 347V	0.25 - 0.21	68	> 0.98	< 10/15	0.88	33	AA19	PS
36W	FT36W / 2G11	2	CSD-UV42PBMS	120 - 277V	0.51 - 0.23	63	> 0.98	< 10/20	0.91	33	AA21	PS
36W	FT36W / 2G11	2	EB-239HO-UV-TP-PS	120 - 277V	0.62 - 0.27	74	> 0.98	< 12	0.95	36	U4	PS
36W	FT36W / 2G11	2	FSD-B32PBM	277 - 347V	0.23 - 0.19	63	> 0.99	< 10	0.8	33	AA23	PS
40W	FT40W / 2GRS	1	CSD-UV42P/L	120 - 277V	0.36 - 0.17	43	> 0.97	< 20/35	0.91	35	AA19	PS
40W	FT40W / 2GRS	1	CSD-UV42PBM	120 - 277V	0.36 - 0.17	43	> 0.95	< 20/35	0.91	35	AA20	PS
40W	FT40W / 2GRS	1	EB-139HO-1-TP	120V	0.55	38	> 0.5	< 150	0.9	26	N1	RS
40W	FT40W / 2GRS	1	FSD-B32PBM	277 - 347V	0.16 - 0.13	43	> 0.99	< 15	1.04	35	AA23	PS
40W	FT40W / 2GRS	2	CSD-B42PBM	277 - 347V	0.32 - 0.26	88	> 0.99	< 10	0.91	33	AA20	PS
40W	FT40W / 2GRS	2	CSD-B42P/L	277 - 347V	0.32 - 0.26	88	> 0.99	< 10	0.88	33	AA19	PS
40W	FT40W / 2GRS	2	CSD-UV42P/L	120 - 277V	0.66 - 0.29	79	> 0.98	< 10/20	1	33	AA19	PS
40W	FT40W / 2GRS	2	CSD-UV42PBMS	120 - 277V	0.66 - 0.29	80	> 0.98	< 10/20	0.8	33	AA20	PS

### APPROVALS: UL, cUL

- Please see case styles on pages A11-A13 and wiring diagrams on pages A14-A17 & SUFFIX GUIDE on page A17.
- \*\* replace "-SC" with "-SCS" for model with studs; with "SC-RJ" for model with bottom out leads; with "-SC-RJS" with bottom out leads and with studs.
- \* cap off one BLUE wire for one lamp application.
- # add "EMI" for model with EMI filter, comply with FCC Class B.



LONG TWIN TUBE / BIAX / PLL LAMPS



LAMP WATTS	LAMP TYPE	NO. OF LAMPS	CAT. NO.	INPUT VOLTS	INPUT CURRENT	INPUT WATTS	POWER FACTOR	THD %	BALLASTS FACTOR	WIRING DIAGRAM	DIMENSIONS	STARTING METHOD
50W	FT50W / 2G11RS	1	CSD-B42PBMS	277 - 347V	0.17 - 0.14	47	> 0.97	< 10/20	0.78	35	AA20	PS
50W	FT50W / 2G11RS	1	CSD-UV42P/L	120 - 277V	0.39 - 0.18	43	> 0.97	< 20/35	0.91	35	AA19	PS
50W	FT50W / 2G11RS	1	CSD-UV42PBMS	120 - 277V	0.39 - 0.18	48	> 0.98	< 20/35	0.88	35	AA20	PS
50W	FT50W / 2G11RS	1	EB-254HO-UV-TP-PS-LS	120 - 277V	0.49 - 0.22	57	> 0.92	< 12	1	37	U4	PS
50W	FT50W / 2G11RS	1	FSD-B32PBM	277 - 347V	0.18 - 0.14	48	> 0.99	< 10	0.78	35	AA23	PS
50W	FT50W / 2G11RS	2	EB-254HO-UV-TP-PS	120 - 277V	0.98 - 0.43	115	> 0.98	< 10	1	36	U4	PS
55W	FT55W / 2G11RS	1	CSD-B42PBMS	277 - 347V	0.17 - 0.15	47	> 0.95	< 15/20	0.69	35	AA20	PS
55W	FT55W / 2G11RS	1	CSD-UV42PBM	120 - 277V	0.36 - 0.16	44	> 0.97	< 20/35	0.67	35	AA20	PS
55W	FT55W / 2G11RS	1	EB-254HO-UV-TP-PS-LS	120 - 277V	0.46 - 0.21	55	> 0.92	< 15	0.86	37	U4	PS
55W	FT55W / 2G11RS	2	EB-254HO-UV-TP-PS-LS	120 - 277V	0.9 - 0.38	106	> 0.99	< 10	0.85	36	U4	PS

ELECTRONIC BALLASTS

APPROVALS: UL, cUL

- Please see case styles on pages A11-A13 and wiring diagrams on pages A14-A17 & SUFFIX GUIDE on page A17.
- \*\* replace "-SC" with "-SCS" for model with studs; with "SC-RJ" for model with bottom out leads; with "-SC-RJS" with bottom out leads and with studs.
- \* cap off one BLUE wire for one lamp application.
- # add "EMI" for model with EMI filter, comply with FCC Class B.

FOR MORE INFORMATION PLEASE CALL 1-800-661-9610 (HEAD OFFICE) 1-888-762-5384 (USA)

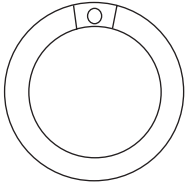
PLEASE CONSULT THE FACTORY FOR MORE PRODUCTS AND CUSTOMIZATION.  
 PRODUCT DETAILS AND SPECIFICATIONS ARE SUBJECT TO CHANGE WITHOUT NOTICE.



# ELECTRONIC BALLASTS FOR CIRCLINE FLUORESCENT LAMPS

A8

## CIRCLINE LAMPS



ELECTRONIC BALLASTS

LAMP WATTS	LAMP TYPE	NO. OF LAMPS	CAT. NO.	INPUT VOLTS	INPUT CURRENT	INPUT WATTS	POWER FACTOR	THD %	BALLASTS FACTOR	WIRING DIAGRAM	DIMENSIONS	STARTING METHOD
22W	FC8T9	1	EB-1C22-1-TP-WS	120V	0.33	21	> 0.5	< 150	0.9	10	S1	RS
22W	FC9T5	1	CSD-UV18P	120 - 277V	0.17 - 0.08	21	> 0.97	< 15	1.08	35	AA15	PS
30W	FCL-30	1	EB-1C3032-1-TP-WS	120V	0.5	32	> 0.5	< 150	0.95	10	S1	RS
32W	FC12T9	1	EB-1C3032-1-TP-WS	120V	0.55	37	> 0.5	< 150	1	10	S1	RS
22W + 32W	FC8T9 + FC12T9	2	EB-2C72-1-TP-WS	120V	0.6	40	> 0.5	< 150	0.76	11	L1	RS
32W + 40W	FC12T9 + FC16T9	2	EB-2C72-1-TP-WS	120V	0.75	50	> 0.5	< 150	0.7	11	L1	RS

### APPROVALS: UL, cUL

- Please see case styles on pages A11-A13 and wiring diagrams on pages A14-A17 & SUFFIX GUIDE on page A17.
- \*\* replace "-SC" with "-SCS" for model with studs; with "SC-RJ" for model with bottom out leads; with "-SC-RJS" with bottom out leads and with studs.
- \* cap off one BLUE wire for one lamp application.
- # add "EMI" for model with EMI filter, comply with FCC Class B.

# MAGNETIC BALLASTS

## SECTION A MAGNETIC BALLASTS

T5/ T12 Linear Lamps	A10
T5 Compact Fluorescent Lamps - CF Type	A10
Circline Lamps	A10





# MAGNETIC BALLASTS FOR FLUORESCENT LAMPS

## T5 LINEAR LAMPS



LAMP WATTS	LAMP TYPE	NO. OF LAMPS	CAT. NO.	INPUT VOLTS	INPUT CURRENT	INPUT WATTS	POWER FACTOR	THD %	BALLASTS FACTOR	WIRING DIAGRAM	DIMENSIONS	STARTING METHOD
13W	F13T5	1	N-113A-1-TP	120V	0.28	17	> 0.5	< 15	0.84	16	C6	PH

## T12 STRAIGHT LAMPS



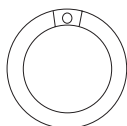
LAMP WATTS	LAMP TYPE	NO. OF LAMPS	CAT. NO.	INPUT VOLTS	INPUT CURRENT	INPUT WATTS	POWER FACTOR	THD %	BALLASTS FACTOR	WIRING DIAGRAM	DIMENSIONS	STARTING METHOD
20W	F20T12	1	CF-1540-1-TP-IES-WS	120V	0.33	20	> 0.5	< 25	0.83	19	C7	IES
25W	F40T12	1	CF-1540-1-TP-IES-WS	120V	0.31	30	> 0.8	< 40	0.66	19	C7	IES
30W	F30T12	1	CF-1540-1-TP-IES-WS	120V	0.33	20	> 0.5	< 25	0.83	19	C7	IES
34W	F40T12 /ES	1	CF-1540-TP-IES-WS	120V	0.38	25	> 0.5	< 40	0.69	19	C7	IES
40W	F40T12	1	CF-1540-1-TP-IES-WS	120V	0.31	30	> 0.8	< 40	0.66	19	C7	IES

## COMPACT FLUORESCENT LAMPS



LAMP WATTS	LAMP TYPE	NO. OF LAMPS	CAT. NO.	INPUT VOLTS	INPUT CURRENT	INPUT WATTS	POWER FACTOR	THD %	BALLASTS FACTOR	WIRING DIAGRAM	DIMENSIONS	STARTING METHOD
5W	CFT5W / G23	1	CF-79-CC-TP	120V	0.15	9	> 0.5	< 15	0.75	2	B1	PH
7W	CFT7W / G23	1	CF-79-CC-TP	120V	0.15	9	> 0.5	< 15	0.75	2	B1	PH
9W	CFT9W / G23	1	CF-79-CC-TP	120V	0.15	9	> 0.5	< 15	0.75	2	B1	PH
13W	CFT13W / GX23	1	CF-1322-PG-TP	120V	0.26	16	> 0.5	< 15	0.9	17	E1	PH

## CIRCLINE LAMPS



LAMP WATTS	LAMP TYPE	NO. OF LAMPS	CAT. NO.	INPUT VOLTS	INPUT CURRENT	INPUT WATTS	POWER FACTOR	THD %	BALLASTS FACTOR	WIRING DIAGRAM	DIMENSIONS	STARTING METHOD
22W	FC8T9	1	CF-1540-1-TP-IES-WS	120V	0.35	21	> 0.5	< 30	0.82	19	C7	IES
32W	FC12T9	1	CF-1540-1-TP-IES-WS	120V	0.4	29	> 0.6	< 40	0.73	19	C7	IES
40W	FC16T9	1	CF-1540-1-TP-IES-WS	120V	0.37	33	> 0.75	< 45	0.7	19	D7	IES

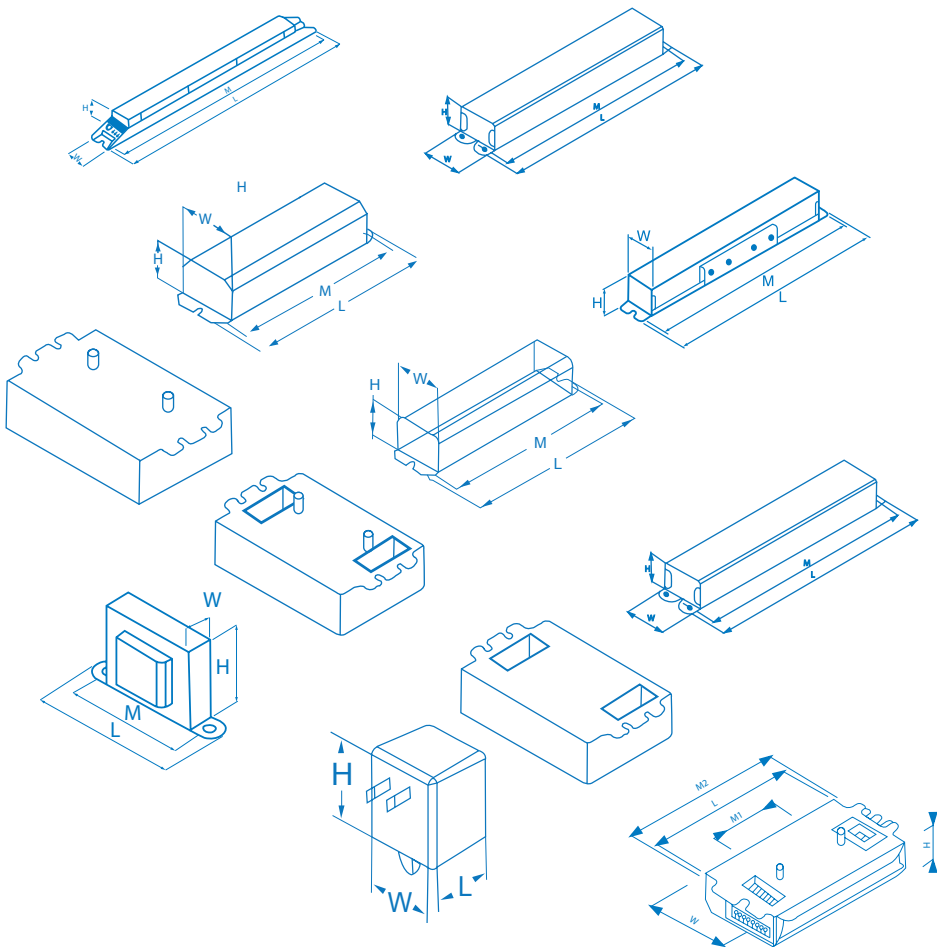
### APPROVALS: UL, cUL

- Please see case styles on pages A11-A13 and wiring diagrams on pages A14-A17 & SUFFIX GUIDE on page A17.
- \* Add -PF for single blow thermal fuse or Add- TP for Class P type.
- % Replace -OC by -WC for With Cord model.
- # Add -WS for standard bi-pin lampholders attached.
- @ Add -LC for using 9" long can.

# SECTION A

## BALLASTS APPENDIX & SUFFIX GUIDE

Case Style & Dimensions	A14 -A16
Wiring Diagram	A17 - A20
Suffix Guide	A20



# APPENDIX

FOR MORE INFORMATION PLEASE CALL 1-800-661-9610 (HEAD OFFICE) 1-888-762-

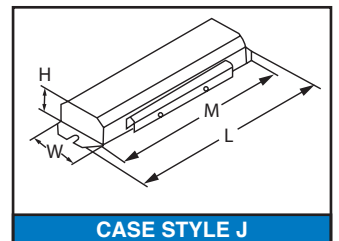
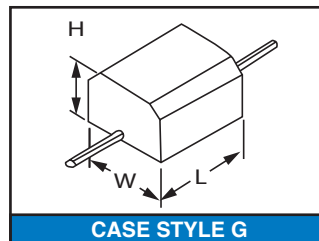
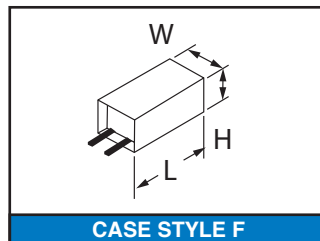
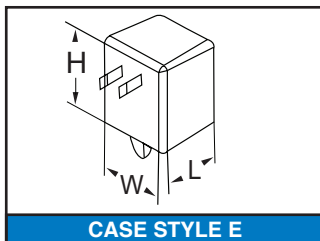
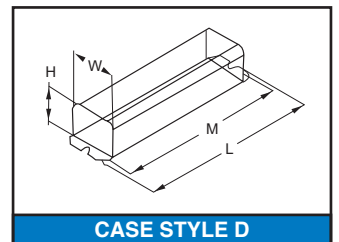
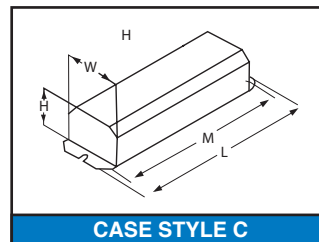
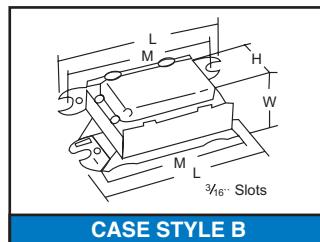
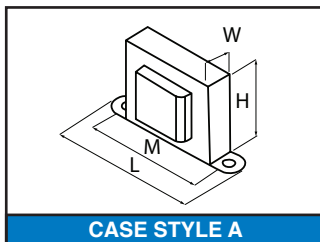
PLEASE CONSULT THE FACTORY FOR MORE PRODUCTS AND CUSTOMIZATION.  
 PRODUCT DETAILS AND SPECIFICATIONS ARE SUBJECT TO CHANGE WITHOUT NOTICE.



CASE STYLES

CASE STYLE AND DIMENSION

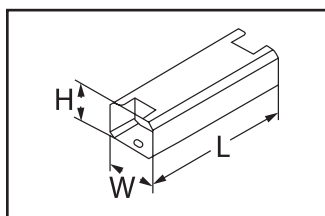
CASE	STYLE	LENGTH		WIDTH	HEIGHT
		(M)	(L)		
A	1	2.00	2.36	1.10	1.42
A	2	2.50	3.11	1.85	1.34
A	3	2.80	3.27	1.54	1.97
A	4	2.00	2.36	1.18	1.42
B	1	2.50	2.75	1.50	1.20
B	2	2.75	3.15	1.73	1.30
B	3	2.00	2.36	1.41	1.40
B	4	2.75	3.15	1.50	1.30
C	1	6.00	6.61	2.36	1.57
C	2	9.00	9.49	2.40	1.61
C	3	3.75	4.02	1.93	1.50
C	4	9.00	9.49	2.28	1.57
C	6	6.00	6.46	1.89	0.98
C	7	2.75	3.10	1.89	1.43
D	1	6.00	6.46	1.89	1.42
D	2	11.00	11.65	3.15	1.85
D	3	4.33	4.76	2.17	1.57
D	4	9.00	9.45	3.15	1.85
D	5	2.80	3.15	1.48	1.14
D	6	3.15	3.45	1.80	1.20
D	7	9.00	9.49	2.36	1.70
D	8	11.00	11.70	3.15	2.50
D	9	13.75	14.31	3.19	2.60
D	10	18.63	19.19	3.19	2.63
D	11	11.8	11.4	3.23	2.75
D	12	16.6	16.1	3.23	2.75
D	13	21.6	21.0	3.23	2.75
D	14	15.62	16.25	3.20	2.14
E	1	--	1.89	2.26	2.99
E	2	--	1.61	1.97	2.87
E	3	--	1.54	2.00	2.56
E	4	--	1.77	1.89	2.56
F	1	--	2.48	1.48	1.06
F	2	--	2.28	1.30	0.79
F	3	--	2.68	1.30	0.79
F	4	--	2.09	1.30	0.79
F	5	--	3.15	1.30	0.79
G	1	6.00	6.46	1.89	1.42
G	2	--	2.48	1.89	1.34
J	1	6.00	6.46	1.89	0.98
K	1	5.37	5.50	1.89	1.75



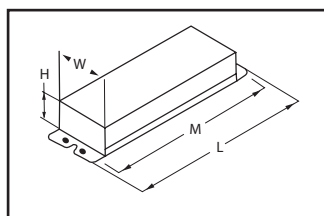
CASE STYLES

CASE STYLE AND DIMENSION

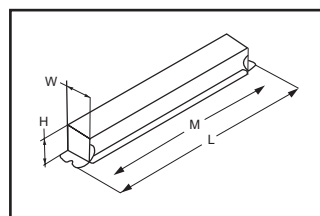
CASE	STYLE	LENGTH		WIDTH	HEIGHT
		(M)	(L)		
K	1	5.37	5.50	1.89	1.75
L	1	6.00	6.46	1.89	1.00
L	2	6.00	6.46	1.89	1.15
L	3	8.90	9.45	1.80	1.37
L	4	8.90	9.45	1.15	1.26
L	5	8.90	9.50	1.70	1.15
L	6	8.90	9.50	1.38	1.18
L	7	6.00	6.46	1.37	1.00
L	8	3.60	4.00	1.87	1.18
L	9	8.90	9.57	1.13	1.07
L	10	16.4	16.7	1.7	1.18
L	11	8.96	9.45	1.35	1.03
L	12	9.00	9.45	2.28	1.03
L	13	9.00	9.45	1.25	1.00
L	14	18.00	18.6	1.32	1.03
L	16	8.89	9.5	1.7	1.2
L	17	11.7	11.7	1.7	1.2
M	1	6.00	6.46	1.37	1.00
N	1	8.75	9.00	0.95	0.95
N	2	7.25	7.50	0.95	0.95
N	3	9.00	9.60	1.16	0.88
P	1	8.75	9.00	0.95	0.95
P	2	7.25	7.50	0.95	0.95
S	1	3.12	3.45	1.81	1.21
S	2	3.12	3.45	2.91	1.21
T	1	4.63	5.00	2.40	1.00
T	2	4.63	5.00	3.00	1.38
U	1	14.00	14.40	1.23	1.03
U2	2	6.00	6.46	1.28	0.95
U	3	8.75	9.00	0.95	0.95
U	4	16.34	16.70	1.18	1.00
V	1	5.60	5.90	0.91	0.76
W	1	4.63	5.00	2.40	1.00
W	2	4.63	5.00	3.00	1.38
X	1	2.80	3.07	1.45	1.00
Y	11	0.90	--	1.54	0.97
Z		2.00	2.48	1.38	0.83



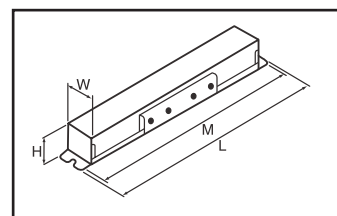
CASE STYLE K



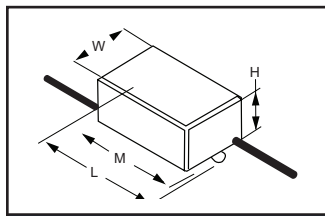
CASE STYLE L



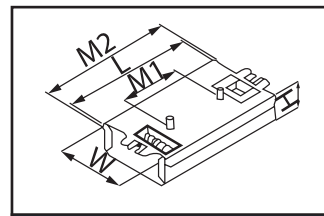
CASE STYLE N



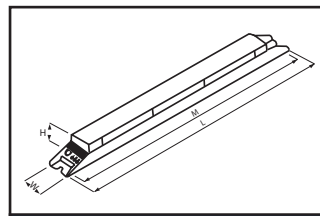
CASE STYLE P



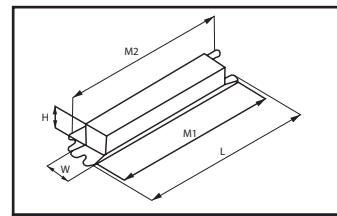
CASE STYLE S



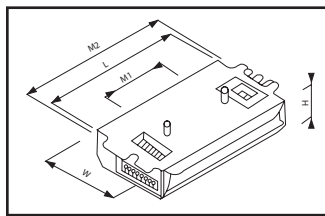
CASE STYLE T



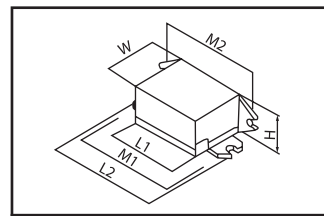
CASE STYLE U



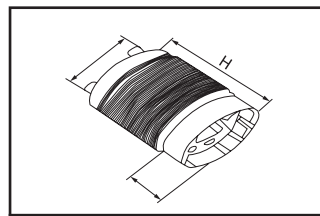
CASE STYLE V



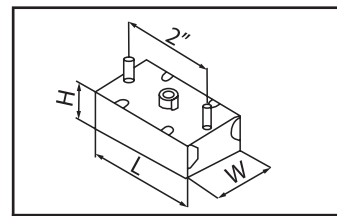
CASE STYLE W



CASE STYLE X



CASE STYLE Y



CASE STYLE Z

FOR MORE INFORMATION PLEASE CALL 1-800-661-9610 (HEAD OFFICE) 1-888-762-5384 (USA)

PLEASE CONSULT THE FACTORY FOR MORE PRODUCTS AND CUSTOMIZATION.  
 PRODUCT DETAILS AND SPECIFICATIONS ARE SUBJECT TO CHANGE WITHOUT NOTICE.





CASE STYLES

CASE STYLE AND DIMENSION

OUR NO.	LENGTH	WIDTH	HEIGHT	M	LEADS OR TERM BLK WIRED FROM	FIGURE
AA1	11.80	2.15	1.61	11	SIDE WIRE	FIG. 11 (PAGE A28)
AA2	11.50	1.34	1.06	11.14	TOP TERM BLK	FIG. 1 (PAGE A27)
AA3	9.50	2.32	1.46	8.9	SIDE WIRE	FIG. 2 (PAGE A27)
AA4	12.80	1.34	1.14	12.50	TOP TERM BLK	FIG. 1 (PAGE A27)
AA5	17.71	1.70	1.14	17.24	TOP TERM BLK	FIG. 1 (PAGE A27)
AA6	12.80	1.34	1.14	12.50	TOP TERM BLK	FIG. 1 (PAGE A27)
AA15	5.36	2.48	1.18	4.84	SIDE TERM BLK	FIG. 4 (PAGE A27)
AA16	5.36	2.48	1.18	4.84	BOTTOM STUD	FIG. 5 (PAGE A27)
AA16	5.20	2.48	1.18	4.84	BOTTOM STUD	FIG. 5 (PAGE A27)
AA17	4.90	2.50	1.14	4.48	BOTTOM FEED NO STUD	FIG. 3 (PAGE A27)
AA18	4.90	2.50	1.14	4.48	BOTTOM STUD	FIG. 1 (PAGE A27)
AA19	6.55	2.90	1.18	5.90	SIDE TERM BLK	FIG. 5 (PAGE A27)
AA20	6.55	2.90	1.18	5.90	BOTTOM STUD	FIG. 5 (PAGE A27)
AA21	5.00	3.00	1.34	4.60	BOTTOM STUD	FIG. 3 (PAGE A27)
AA22	17.71	1.70	1.14	17.24	SIDE WIRE	FIG. 6 (PAGE A27)
AA23	6.50	1.90	1.14	5.90	BOTTOM STUD	FIG. 5 (PAGE A27)
AA24	5.00	2.48	1.18	4.40	BOTTOM STUD	FIG. 5 (PAGE A27)
AA25	7.80	3.10	1.40	7.30	BOTTOM STUD	FIG. 8 (PAGE A27)
AA26	7.80	3.10	1.40	7.30	SIDE TERM BLK	FIG. 4 (PAGE A27)
AA27	9.50	2.30	1.57	8.90	SIDE WIRE	FIG. 7 (PAGE A27)
AA28	17.71	1.70	1.14	17.24	SIDE WIRE	FIG. 1 (PAGE A27)
AA29	9.50	2.32	1.46	8.90	SIDE WIRE	FIG. 9 (PAGE A28)
ABC1	4.11	1.38	1.10	3.62		FIG. 10 (PAGE A28)
AC1	4.17	--	1.87	1.06		FIG. 11 (PAGE A28)

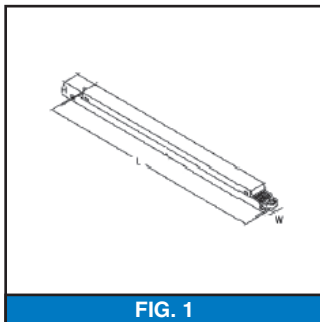


FIG. 1

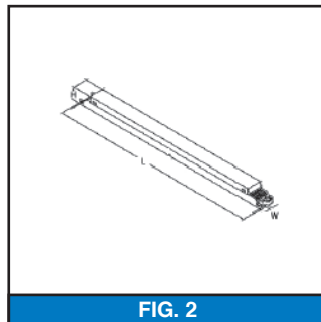


FIG. 2

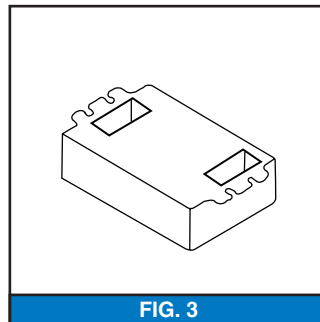


FIG. 3

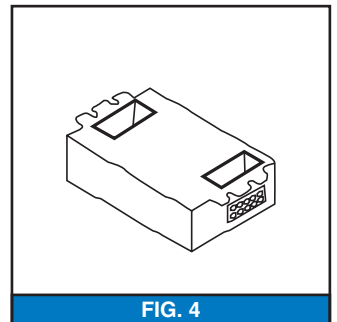


FIG. 4

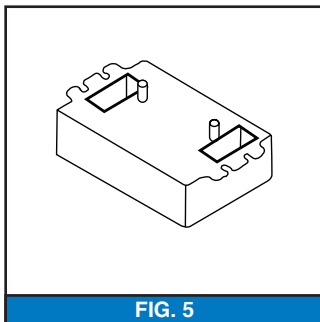


FIG. 5

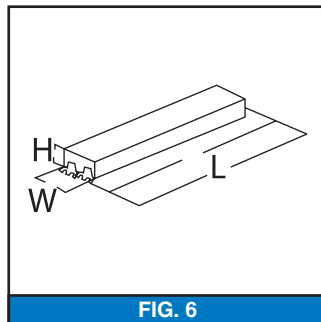


FIG. 6

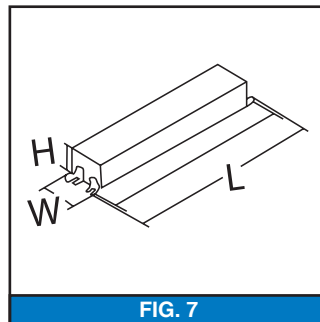


FIG. 7

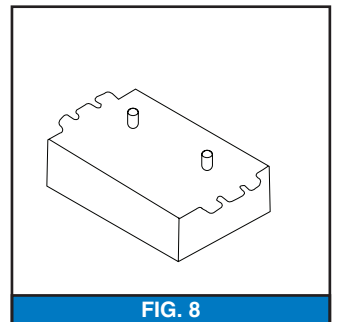


FIG. 8

CASE STYLES AND WIRING DIAGRAMS

CASE STYLE AND DIMENSION

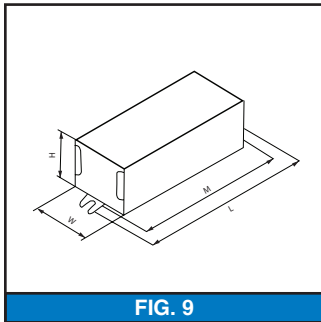


FIG. 9

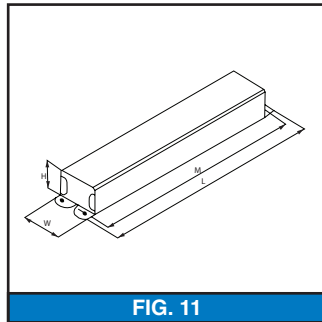


FIG. 11

WIRING DIAGRAM FIG. 1 - 12

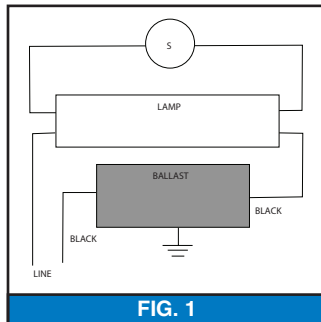


FIG. 1

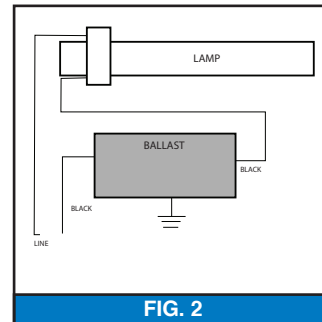


FIG. 2

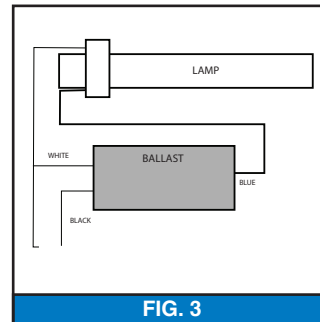


FIG. 3

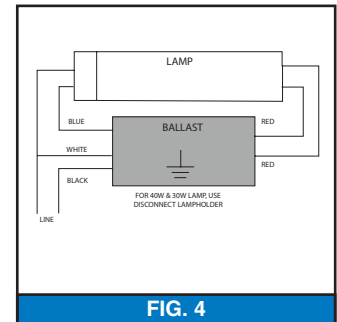


FIG. 4

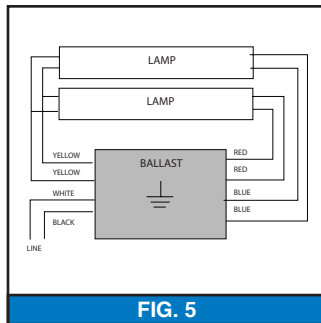


FIG. 5

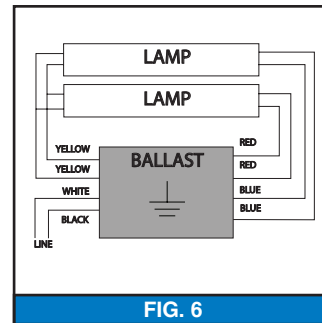


FIG. 6

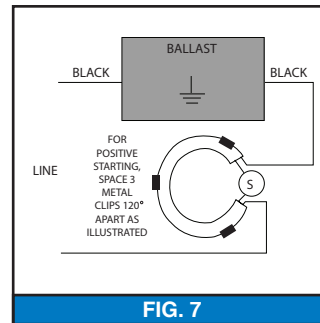


FIG. 7

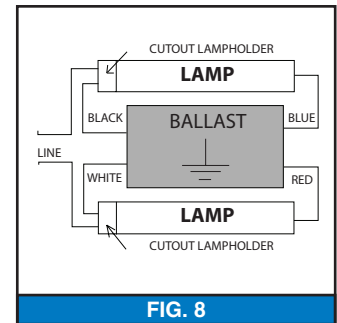


FIG. 8

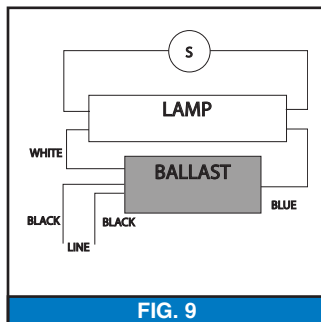


FIG. 9

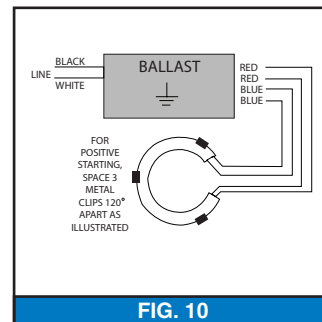


FIG. 10

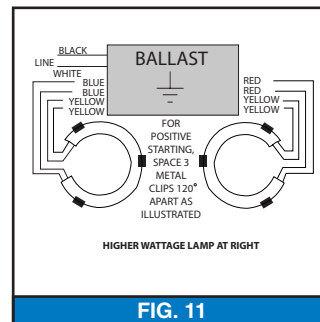


FIG. 11

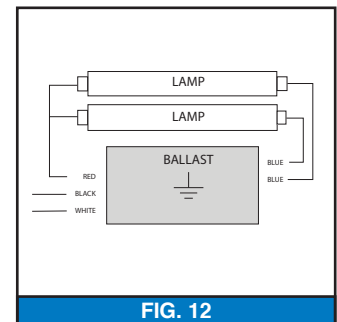


FIG. 12

FOR MORE INFORMATION PLEASE CALL 1-800-661-9610 (HEAD OFFICE) 1-888-762-5384 (USA)

PLEASE CONSULT THE FACTORY FOR MORE PRODUCTS AND CUSTOMIZATION.  
PRODUCT DETAILS AND SPECIFICATIONS ARE SUBJECT TO CHANGE WITHOUT NOTICE.

WIRING DIAGRAM FIG. 13 - 28

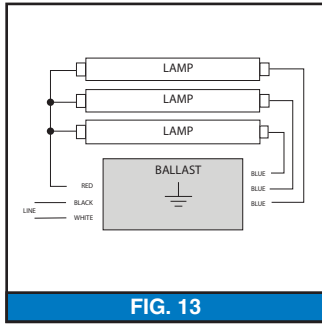


FIG. 13

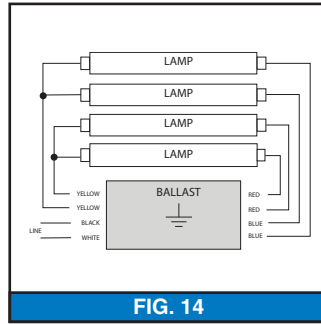


FIG. 14

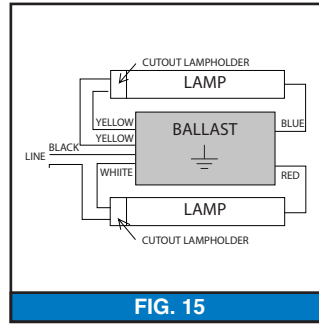


FIG. 15

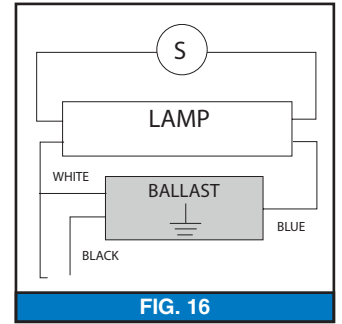


FIG. 16

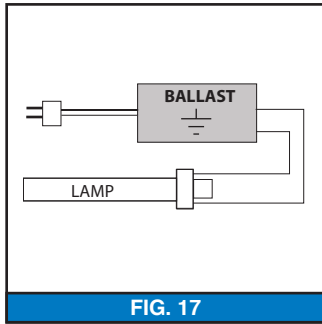


FIG. 17

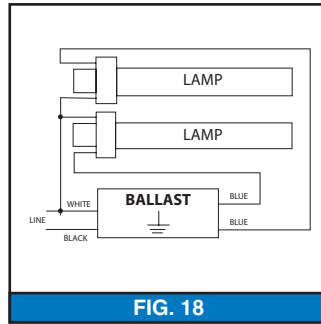


FIG. 18

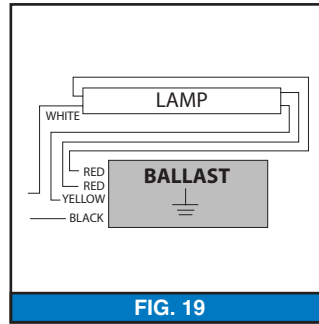


FIG. 19

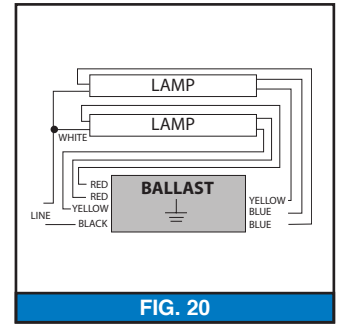


FIG. 20

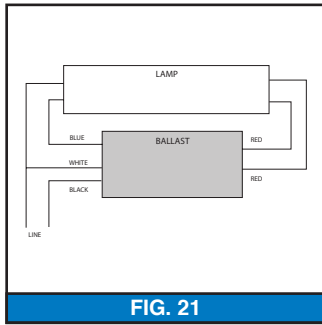


FIG. 21

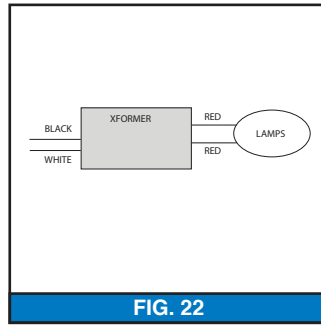


FIG. 22

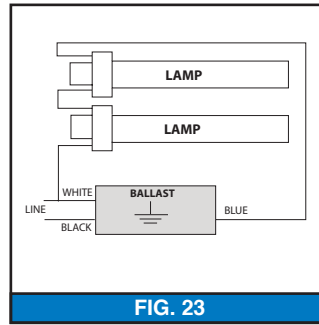


FIG. 23

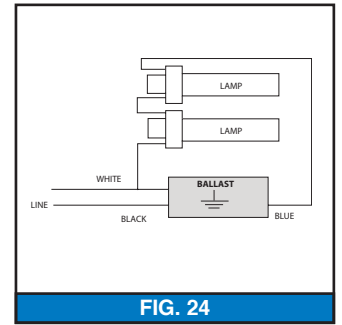


FIG. 24

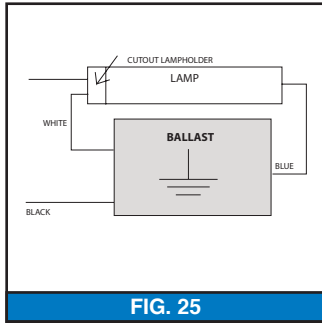


FIG. 25

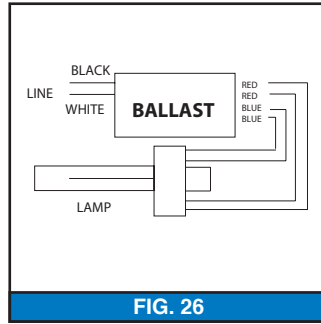


FIG. 26

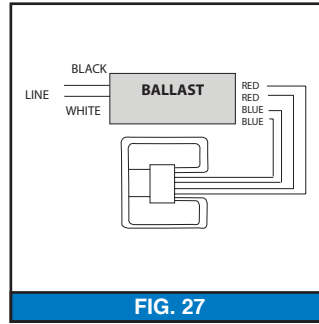


FIG. 27

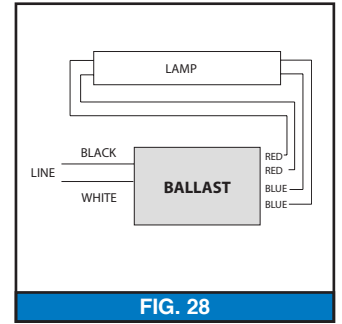
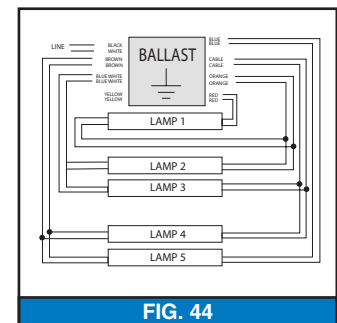
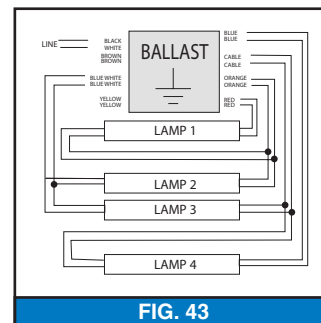
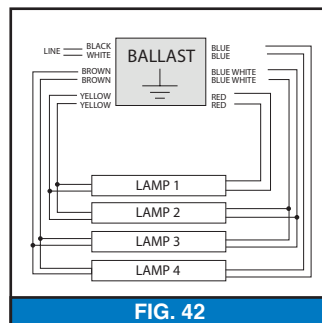
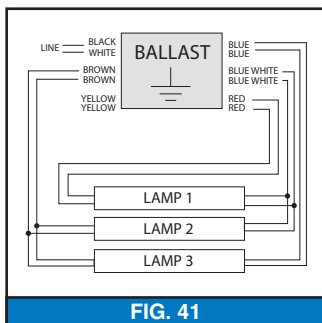
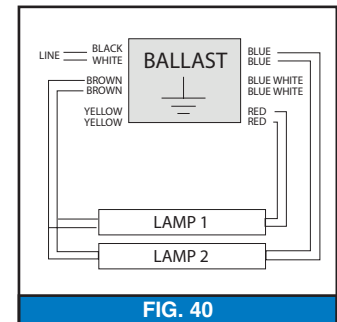
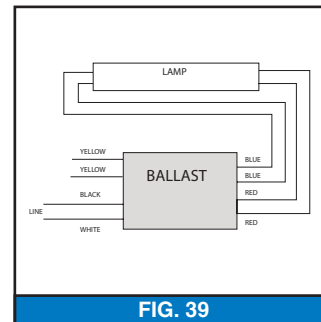
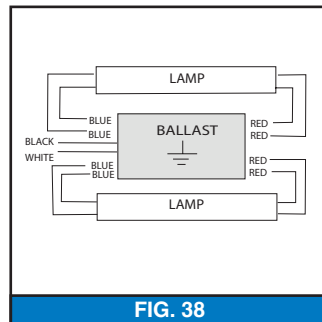
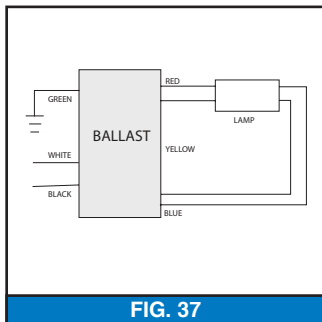
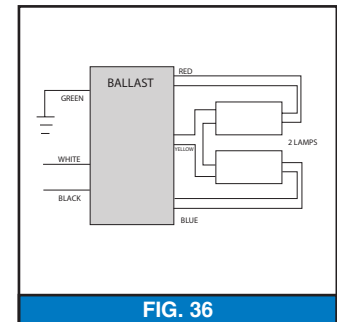
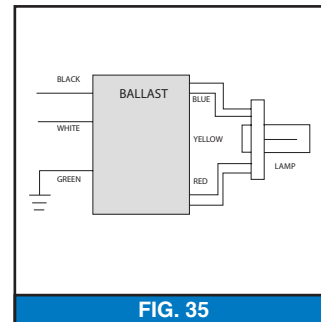
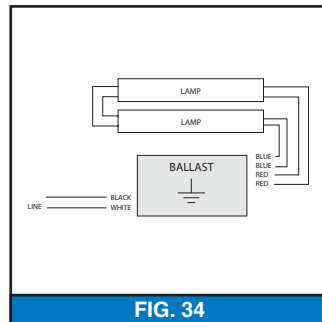
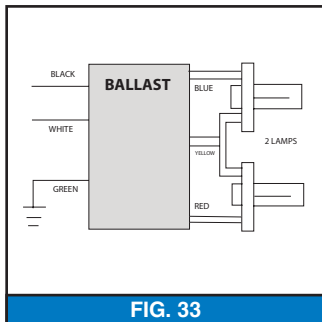
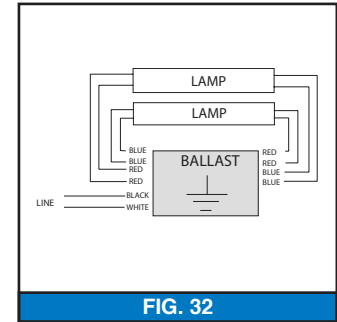
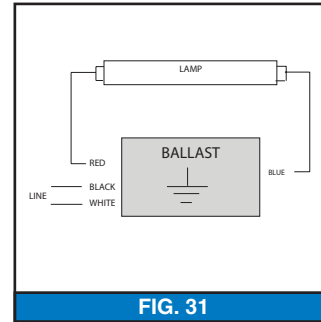
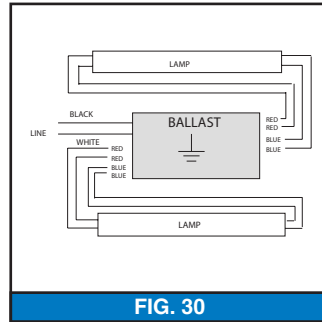
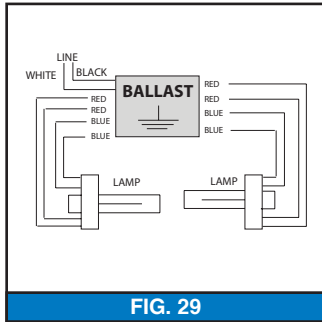


FIG. 28

WIRING DIAGRAM FIG. 29 - 44



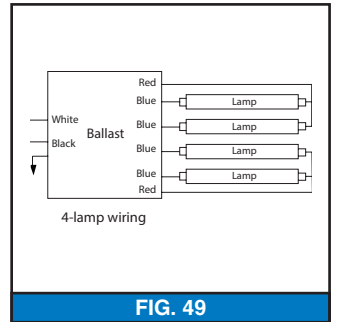
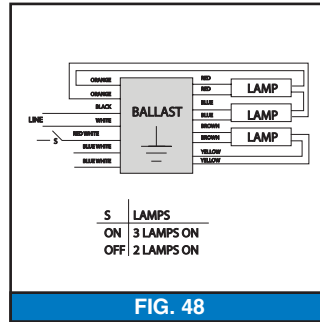
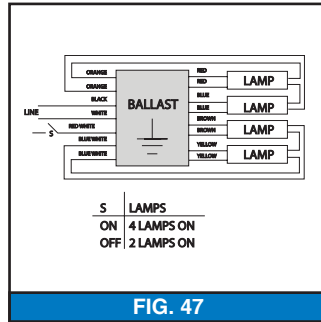
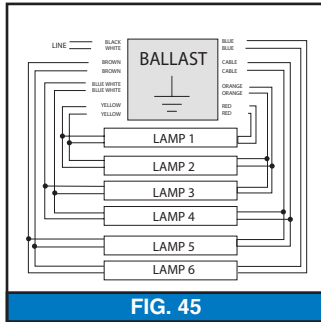
FOR MORE INFORMATION PLEASE CALL 1-800-661-9610 (HEAD OFFICE) 1-888-762-5384 (USA)

PLEASE CONSULT THE FACTORY FOR MORE PRODUCTS AND CUSTOMIZATION.  
PRODUCT DETAILS AND SPECIFICATIONS ARE SUBJECT TO CHANGE WITHOUT NOTICE.





WIRING DIAGRAM FIG. 45 - 49



SUFFIX GUIDE

1	INPUT LINE VOLTAGE
2	277V INPUT LINE VOLTAGE
3	347V INPUT LINE VOLTAGE
4	480V INPUT LINE VOLTAGE
AA	ALUMINUM PRIMARY WINDING, ALUMINUM SECONDARY WINDING
AD	ADAPTER
AL	ALUMINUM CASE
CA	COPPER PRIMARY WINDING, ALUMINUM SECONDARY WINDING
CC	CLAMP CORE
D	DOUBLE TAP INPUT (120V, 277V)
DIM	DIMMABLE
DW	DUAL WAY CONNECTOR
EBF	BF = 0.77
EMI	COMPLY WITH FCC CLASS B REQ.
EN	ENCASED
FC	FINGER CAN
HBF	BF = 1.88
HP	HIGH POWER FACTOR
HV	120V OUTPUT VOLTAGE
IES	INTERNAL ELECTRONIC STARTER
IV	INTERNATIONAL VOLTAGE (90V, 240V)
LBF	BF = 0.88
LC	LARGE CAN
LDIM	LOCAL DIMMABLE
LS	WITH LEAD WIRE
LH	LOW HEAT
MC	WITH MOUNTING CUP

OC	OPEN CORE
P	5 TAP INPUT VOLTAGE (120V, 208V, 240V, 277V, 480V)
PF	WITH SINGLE BLOW THERMAL FUSE
PG	PLUG-IN
PN	PLASTIC ENCASED
PIC	ACTIVE POWER FACTOR CORRECTION
PH	PRE-HEAT START
PS	PROGRAMMED START
PSD	PROGRAMMED START AND DUAL WAY CONNECTOR
RJ	RECESSED JUNCTION BOX WITHOUT BOTTOM STUD
RJS	RECESSED JUNCTION BOX WITH BOTTOM STUD
Q	QUAD TAP INPUT VOLTAGE (120V, 208V, 240V, 277V)
Q3	QUAD TAP INPUT VOLTAGE (120V, 208V, 240V, 277V)
SCP	SHORT CIRCUIT PROTECTION
SCS	SHORT CAN WITH BOTTOM STUDS
SC	SHORT CAN WITHOUT BOTTOM STUDS
SL	SLIM CAN
SLL	LONG SLIM CAN
SS	SELF-START
TP	CLASS BALLAST
UV	UNIVERSAL LINE INPUT VOLTAGE (120V, 277V)
WC	WITH CORD
WS	WITH CIRCLINE SOCKET

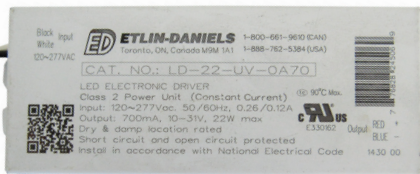
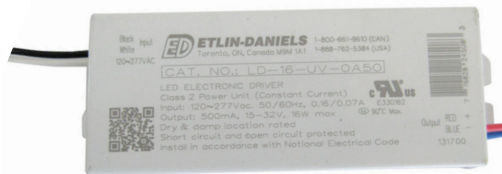
# SECTION B DRIVERS

LED DRIVERS **B2 - B3**

CONSTANT CURRENT **B4 - B5**

CONSTANT VOLTAGE **B5 - B7**

# LED DRIVERS



Etlin-Daniels currently offers many options of both Constant Current and Constant Voltage Drivers. We have global relationships with leading technologies in LED Drivers and are able to furnish a wide range of the various Driver types in many voltages and wattages, in the size and shape required by OEM's, and with the dimmability and Ingress Protection options needed. Please do not hesitate to contact our Customer Service with your requirements.

### LED Drivers Explained

As we transition from older and less efficient Fluorescent and HID lighting systems, it becomes more important to understand some basic technology that relates to LED Drivers. Much in the same way that a fluorescent or HID ballast is the control gear for their respective systems, the right choice in LED Drivers is critical to not only the performance of an LED light source, but also the life of said source - whether it is just a single LED Diode, or multiple diodes, like in the form of strips or arrays that we typically see in high wattage LED Highbays and Area luminaires.

In order to ensure proper performance and life, when either designing an LED luminaire or repairing an existing one where the Driver has failed, we must understand the differences between Constant Current and Constant Voltage Drivers. Further to this, it may also be a requirement to determine whether the fixture in question is dimmable and what type of dimmability option is required from the LED Driver – Triac, 0-10V Continuous Dimming, 1-10V, PWM, DALI, for examples. You may also need to provide an LED Driver that meets certain Ingress protection levels – IP65, IP66, IP67.

### Questions to be answered in making the right choice:

- Do I need a Constant Current or Constant Voltage LED Driver?
- Is the luminaire in question to be dimmed? What type of dimming will it use?
- Are there shape and wiring requirements for the Driver?
- What is the maximum wattage load (power / wattage) of the luminaire? The LED Driver wattage load must match or be slightly higher than the luminaire wattage.



## Constant Current LED Drivers

These are designed to cover a range of output voltages and a fixed output current (amps). An LED Diode or luminaire which is rated to operate on a Constant Current LED Driver requires a designated supply of current or amperage. This type varies the voltage along an electronic circuit which provides a constant electrical current through the device. Even though a higher amp rated LED Driver would make the device brighter, if the current is not properly regulated, it will eventually overdrive what the device is rated for, causing shorter life or premature failure. This occurrence may also be referred to as *Thermal Runaway*.



## Constant Voltage LED Drivers

Constant Voltage LED Drivers are designated for single direct current (DC) output voltage, usually either 12VDC / 24VDC. An LED luminaire rated for a Constant Voltage LED Driver requires a consistent amount of output voltage to ensure proper operation. An example of this driver would be one that either operates over a 90-277V range or 300-480V range, typically found in either residential or industrial VAC power supplies. The Constant Voltage LED Driver steps down this VAC supply into a low direct current voltage – VDC. This means that the Constant Voltage LED Driver will maintain a constant voltage no matter what the load current.



FOR MORE INFORMATION PLEASE CALL 1-800-661-9610 (HEAD OFFICE) 1-888-762-5384 (USA)

PLEASE CONSULT THE FACTORY FOR MORE PRODUCTS AND CUSTOMIZATION.  
PRODUCT DETAILS AND SPECIFICATIONS ARE SUBJECT TO CHANGE WITHOUT NOTICE.



WH-L03U-700

**3W LED DRIVER, CONSTANT CURRENT, 700mA**

OPERATION MODE:	CONSTANT CURRENT (CC)
OUTPUT CURRENT:	0.7A
OUTPUT VOLTAGE:	4~12V
OUTPUT POWER:	4.2 W
INPUT VOLTAGE:	100 - 240V
DIMMING:	WITHOUT DIMMING
NUMBER OF OUTPUTS:	1 OUTPUT
SIZE:	43 mm L X 42 mm W X 23 mm H
OPEN FRAME/ENCLOSED:	ENCLOSED



WH-L07U-700

**7W LED DRIVER, CONSTANT CURRENT, 700mA**

OPERATION MODE:	CONSTANT CURRENT (CC)
OUTPUT CURRENT:	0.7 A
OUTPUT VOLTAGE:	4-12V V
OUTPUT T POWER:	8.4 W MAX
INPUT VOLTAGE:	100 - 240V
DIMMING:	WITHOUT DIMMING
NUMBER OF OUTPUTS:	1 OUTPUT
SIZE:	66 mm L X 35 mm W X 27 mm H
FRAME/ENCLOSED:	ENCLOSED



WH-L07U-1050

**7W LED DRIVER, CONSTANT CURRENT, 1050mA**

OPERATION MODE:	CONSTANT CURRENT (CC)
OUTPUT CURRENT:	1.05A
OUTPUT VOLTAGE:	4~24V
OUTPUT POWER:	8.4 W
INPUT VOLTAGE:	100 - 240V
DIMMING:	WITHOUT DIMMING
NUMBER OF OUTPUTS:	1 OUTPUT
SIZE:	66 mm L X 35 mm W X 27 mm H
OPEN FRAME/ENCLOSED:	ENCLOSED



LD-CU3536-CC-8W

**8W LED DRIVER, CONSTANT CURRENT, 350mA**

OPERATION MODE:	CONSTANT CURRENT (CC)
OUTPUT CURRENT:	0.35A
OUTPUT VOLTAGE:	3~36V
OUTPUT POWER:	8 W
INPUT VOLTAGE:	100-240V
DIMMING:	WITHOUT DIMMING
NUMBER OF OUTPUTS:	1 OUTPUT
SIZE:	68 mm L X 33 mm W X 20 mm H
FRAME/ENCLOSED:	ENCLOSED



LD-12-1-0A70-FDIM

**12W LED DRIVER, CONSTANT CURRENT, 700mA**

OPERATION MODE:	CONSTANT CURRENT (CC)
OUTPUT CURRENT:	0.7A
OUTPUT VOLTAGE:	5-20 V
OUTPUT POWER:	12 W
INPUT VOLTAGE:	120 V
DIMMING:	TRIAC DIMMING
NUMBER OF OUTPUTS:	1 OUTPUT
SIZE:	123 mm L X 33 mm W X 20 mm H
FRAME/ENCLOSED:	ENCLOSED

## CONSTANT CURRENT / CONSTANT VOLTAGE



LD-14-UV-0A35

**14W LED DRIVER, 350mA**

OPERATION MODE:	CONSTANT VOLTAGE (CV)
OUTPUT CURRENT:	0.35A
OUTPUT VOLTAGE:	15-40V
OUTPUT POWER:	14 W
INPUT VOLTAGE:	120 - 277V
DIMMING:	WITHOUT DIMMING
NUMBER OF OUTPUTS:	1 OUTPUT
SIZE:	123 mm L X 33 mm W X 20 mm H
OPEN FRAME/ENCLOSED:	ENCLOSED



LD-14-UV-0A70

**14W LED DRIVER, CONSTANT CURRENT, 700mA**

OPERATION MODE:	CONSTANT CURRENT (CC)
OUTPUT CURRENT:	0.7A
OUTPUT VOLTAGE:	10-20V
OUTPUT POWER:	14 W
INPUT VOLTAGE:	120 - 277V
DIMMING:	WITHOUT DIMMING
NUMBER OF OUTPUTS:	1 OUTPUT
SIZE:	123 mm L X 33 mm W X 20 mm H
OPEN FRAME/ENCLOSED:	ENCLOSED



LD-16-UV-0A50

**16W LED DRIVER, CONSTANT CURRENT, 500mA**

OPERATION MODE:	CONSTANT CURRENT (CC)
OUTPUT CURRENT:	0.5A
OUTPUT VOLTAGE:	15-32V
OUTPUT POWER:	16 W
INPUT VOLTAGE:	120 - 277V
DIMMING:	WITHOUT DIMMING
NUMBER OF OUTPUTS:	1 OUTPUT
SIZE:	122 mm L X 40 mm W X 24 mm H
FRAME/ENCLOSED:	ENCLOSED



LD-22-UV-0A70

**22W LED DRIVER, CONSTANT CURRENT, 700mA**

OPERATION MODE:	CONSTANT CURRENT (CC)
OUTPUT CURRENT:	0.7A
OUTPUT VOLTAGE:	10-32V
OUTPUT POWER:	22 W
INPUT VOLTAGE:	120 - 277V
DIMMING:	WITHOUT DIMMING
NUMBER OF OUTPUTS:	1 OUTPUT
SIZE:	122 mm L X 40 mm W X 24 mm H
FRAME/ENCLOSED:	ENCLOSED



LD-40-UV-1A10-VDIM-SC

**40W LED DRIVER, CONSTANT CURRENT, 1100mA**

OPERATION MODE:	CONSTANT CURRENT (CC)
OUTPUT CURRENT:	1.1A
OUTPUT VOLTAGE:	18-36V
OUTPUT POWER:	40 W
INPUT VOLTAGE:	120 - 277V
DIMMING:	0~10V DIMMING
NUMBER OF OUTPUTS:	1 OUTPUT
SIZE:	164 mm L X 48 mm W X 29 mm H
FRAME/ENCLOSED:	ENCLOSED

FOR MORE INFORMATION PLEASE CALL 1-800-661-9610 (HEAD OFFICE) 1-888-762-5384 (USA)

PLEASE CONSULT THE FACTORY FOR MORE PRODUCTS AND CUSTOMIZATION.  
PRODUCT DETAILS AND SPECIFICATIONS ARE SUBJECT TO CHANGE WITHOUT NOTICE.



WH-L07U-12V



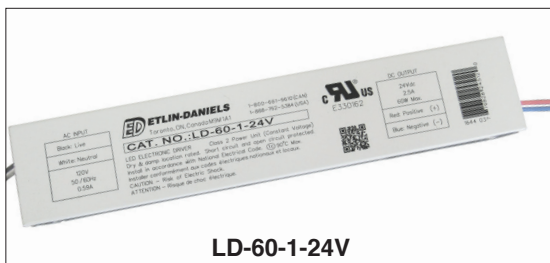
WH-L121-12V



LD-24-UV-12V



LD-24-UV-24V



LD-60-1-24V

**7W LED DRIVER, CONSTANT VOLTAGE, 12V OUTPUT**

OPERATION MODE:	CONSTANT VOLTAGE (CV)
OUTPUT CURRENT:	0.5 A
OUTPUT VOLTAGE:	12 V
OUTPUT POWER:	8.4 W
INPUT VOLTAGE:	100 - 240V
DIMMING:	WITHOUT DIMMING
NUMBER OF OUTPUTS:	1 OUTPUT
SIZE:	66 mm L X 35 mm W X 27 mm H
OPEN FRAME/ENCLOSED:	ENCLOSED

**12W LED DRIVER, CONSTANT VOLTAGE, 12V OUTPUT**

OPERATION MODE:	CONSTANT VOLTAGE (CV)
OUTPUT CURRENT:	0.5 A
OUTPUT VOLTAGE:	12V
OUTPUT POWER:	12 W
INPUT VOLTAGE:	120V
DIMMING:	WITHOUT DIMMING
NUMBER OF OUTPUTS:	1 OUTPUT
SIZE:	103 mm L X 38 mm W X 27 mm H
FRAME/ENCLOSED:	ENCLOSED

**24W LED DRIVER, CONSTANT VOLTAGE, 12V OUTPUT**

OPERATION MODE:	CONSTANT VOLTAGE (CV)
OUTPUT CURRENT:	2A
OUTPUT VOLTAGE:	12V
OUTPUT POWER:	24 W
INPUT VOLTAGE:	120-277V
DIMMING:	WITHOUT DIMMING
NUMBER OF OUTPUTS:	1 OUTPUT
SIZE:	122 mm L X 40 mm W X 24 mm H
FRAME/ENCLOSED:	ENCLOSED

**24W LED DRIVER, CONSTANT VOLTAGE, 24V OUTPUT**

OPERATION MODE:	CONSTANT VOLTAGE (CV)
OUTPUT CURRENT:	1A
OUTPUT VOLTAGE:	24V
OUTPUT POWER:	24 W
INPUT VOLTAGE:	120-277V
DIMMING:	WITHOUT DIMMING
NUMBER OF OUTPUTS:	1 OUTPUT
SIZE:	122 mm L X 40 mm W X 24 mm H
FRAME/ENCLOSED:	ENCLOSED

**60W LED DRIVER, CONSTANT VOLTAGE, 24V OUTPUT**

OPERATION MODE:	CONSTANT VOLTAGE (CV)
OUTPUT CURRENT:	2.5A
OUTPUT VOLTAGE:	24V
OUTPUT POWER:	60 W
INPUT VOLTAGE:	120V
DIMMING:	WITHOUT DIMMING
NUMBER OF OUTPUTS:	1 OUTPUT
SIZE:	241 mm L X 43 mm W X 30 mm H
FRAME/ENCLOSED:	ENCLOSED



## CONSTANT VOLTAGE



LD-60-UV-12V

**60W LED DRIVER, CONSTANT VOLTAGE, 12V OUTPUT**

OPERATION MODE:	CONSTANT VOLTAGE (CV)
OUTPUT CURRENT:	5A
OUTPUT VOLTAGE:	12V
OUTPUT POWER:	60 W
INPUT VOLTAGE:	120-277V
DIMMING:	WITHOUT DIMMING
NUMBER OF OUTPUTS:	1 OUTPUT
SIZE:	241 mm L X 43 mm W X 30 mm H
FRAME/ENCLOSED:	ENCLOSED



LD-60-UV-24V

**60W LED DRIVER, CONSTANT VOLTAGE, 24V OUTPUT**

OPERATION MODE:	CONSTANT VOLTAGE (CV)
OUTPUT CURRENT:	2.5 A
OUTPUT VOLTAGE:	24V
OUTPUT POWER:	60 W
INPUT VOLTAGE:	120-277V
DIMMING:	WITHOUT DIMMING
NUMBER OF OUTPUTS:	1 OUTPUT
SIZE:	241 mm L X 43 mm W X 30 mm H
FRAME/ENCLOSED:	ENCLOSED



LD-80-1-24V

**80W LED DRIVER, CONSTANT VOLTAGE, 24V OUTPUT**

OPERATION MODE:	CONSTANT VOLTAGE (CV)
OUTPUT CURRENT:	3.3A
OUTPUT VOLTAGE:	24V
OUTPUT POWER:	80 W
INPUT VOLTAGE:	120V
DIMMING:	WITHOUT DIMMING
NUMBER OF OUTPUTS:	1 OUTPUT
SIZE:	241 mm L X 43 mm W X 30 mm H
FRAME/ENCLOSED:	ENCLOSED



LD-100-UV-24V

**95W LED DRIVER, CONSTANT VOLTAGE, 24V OUTPUT**

OPERATION MODE:	CONSTANT VOLTAGE (CV)
OUTPUT CURRENT:	0
OUTPUT VOLTAGE:	24 VDC
OUTPUT POWER:	95 W
INPUT VOLTAGE:	120-277V
DIMMING:	WITHOUT DIMMING
NUMBER OF OUTPUTS:	1 OUTPUT
SIZE:	241 mm L X 43 mm W X 30 mm H
OPEN FRAME/ENCLOSED:	ENCLOSED

FOR MORE INFORMATION PLEASE CALL 1-800-661-9610 (HEAD OFFICE) 1-888-762-5384 (USA)

PLEASE CONSULT THE FACTORY FOR MORE PRODUCTS AND CUSTOMIZATION.  
PRODUCT DETAILS AND SPECIFICATIONS ARE SUBJECT TO CHANGE WITHOUT NOTICE.

FOR

CUSTOM

ORDERS

CONSULT

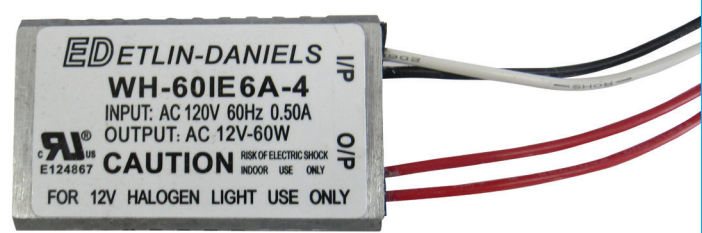
FACTORY



# LOW VOLTAGE TRANSFORMER FOR HALOGEN LIGHTING

## SECTION C LOW VOLTAGE TRANSFORMER FOR HALOGEN LIGHTING

Halogen Transformers - Hardware C2 - C4



# LOW VOLTAGE TRANSFORMER FOR HALOGEN LIGHTING

C2

## ELECTRONIC TRANSFORMERS

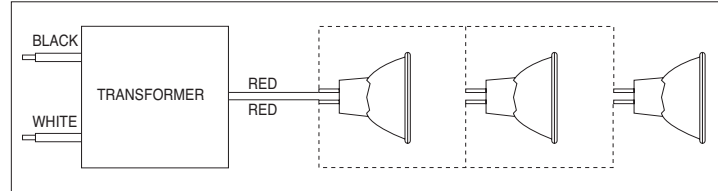
- Compact and light weight when compared to conventional magnetic transformers, allowing a whole new element of design flexibility
- Many models are dimmable using conventional or electronic dimmers, from zero to full gradient capacity
- All units are enclosed in an epoxy sealed, fire retardant plastic case which can withstand severe environmental conditions and large temperature changes
- They can be used to power a single or multiple lamp application as long as they do not exceed the transformer's rating
- Most models offer a Class 2 safety rating

- Most models have integrated short circuit and overload protection, which will shut down the output and automatically reset when the condition is corrected
- 100% factory tested
- Easily mounted using an optional high temperature doubled sided adhesive tape to any clean surface, or by using special mounting adapter plates
- Many models to choose from, one will be right for your application
- Consult factory for more options

### Low Voltage Transformers

- All models are Class 2 Listed and have an efficiency of >98%
- Standard case colour is Black
- For White add W to end of product number

#### Typical Wiring Diagram



### 60 WATT MAX TRANSFORMER

- INPUT VOLTS 120V -MINIMUM LOAD 20W
- OUTPUT VOLTS 11.5Vdc
- MINI HALOGEN TRANSFORMER, COMPACT SIZE
- SHORT CIRCUIT PROTECTED, AUTO RESET
- BLACK PLASTIC CASE
- OUTPUT LEADS 6" RED TEW, 4 LEADS OUT ONE END
- SIZE 2.48" L X 1.49"W X 1.06"H (63mmX38mmX27mm)
- NON-DIMMABLE
- UR, cUR

### 60 WATT MAX TRANSFORMER WITH CONNECTOR

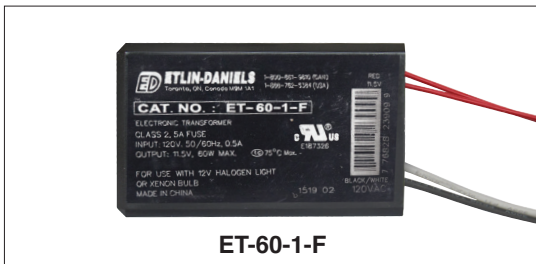
- INPUT VOLTS 120V -MINIMUM LOAD 20W
- OUTPUT VOLTS 11.5Vdc
- MINI HALOGEN TRANSFORMER, COMPACT SIZE
- SHORT CIRCUIT PROTECTED, AUTO RESET
- BLACK PLASTIC CASE
- OUTPUT LEADS 6" WHITE TEW, 4 LEADS OUT ONE END, JST CONNECTOR
- SIZE 2.48" L X 1.49"W X 1.06"H (63mmX38mmX27mm)
- NON-DIMMABLE
- UR, cUR

### 60 WATT MAX PLUG IN TRANSFORMER

- INPUT VOLTS 120V -MINIMUM LOAD 10W
- OUTPUT VOLTS 11.5Vdc
- SHORT CIRCUIT PROTECTED, AUTO RESET
- BLACK PLASTIC CASE WITH WALL PLUG, 6.5' SPT-2 LEAD/CONNECTOR
- OUTPUT LEAD 6.5' BLACK CORD
- SIZE 2.56" L X 1.93"W X 1.73"H (65mmX49mmX44mm)
- NON-DIMMABLE
- UR, cUR

### 60 WATT MAX PLUG IN TRANSFORMER

- INPUT VOLTS 120V -MINIMUM LOAD 10W
- OUTPUT VOLTS 11.5Vdc
- SHORT CIRCUIT PROTECTED, AUTO RESET
- WHITE PLASTIC CASE WITH WALL PLUG, 6.5' SPT-2 LEAD/CONNECTOR
- OUTPUT LEAD 6.5' WHITE CORD
- SIZE 2.56" L X 1.93"W X 1.73"H (65mmX49mmX44mm)
- NON-DIMMABLE
- UR, cUR



ET-60-1-F



ET-60-1-F-C



WH-601E2C



WH-601E2CA-2CW



ELECTRONIC TRANSFORMERS



WH-601E5A-3

60 WATT MAX TRANSFORMER WITH HI-LO FEATURE

- INPUT VOLTS 120V -MINIMUM LOAD 10W
- OUTPUT VOLTS 11.5Vdc
- MINI HALOGEN TRANSFORMER, COMPACT SIZE
- BLACK PLASTIC CASE
- OUTPUT LEADS 6" RED/2X6"WHITE, 30/60 OUTPUT, HI-LO, 4 LEADS OUT END
- SIZE 2.55" L X 1.37"W X 1.02"H (65mmX35mmX26mm)
- DIMMABLE
- UR, cUR



WH-601E6A-2

60 WATT MAX TRANSFORMER

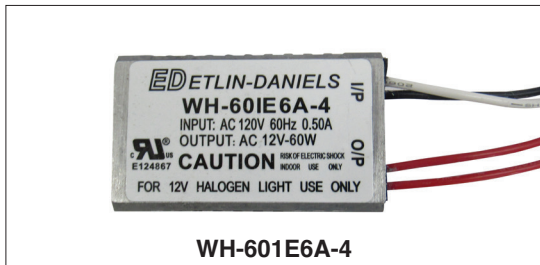
- INPUT VOLTS 120V -MINIMUM LOAD 10W
- OUTPUT VOLTS 11.5Vdc
- MINI HALOGEN TRANSFORMER, COMPACT SIZE
- SHORT CIRCUIT PROTECTED, AUTO RESET
- BLACK PLASTIC CASE
- OUTPUT LEADS 6" RED TEW, 2 LEADS OUT EACH END
- SIZE 3.15" L X 1.44"W X 1.03"H (80mmX36.5mmX23mm)
- DIMMABLE
- UR, cUR



WH-601E6A-3

60 WATT MAX TRANSFORMER

- INPUT VOLTS 120V -MINIMUM LOAD 10W
- OUTPUT VOLTS 11.5Vdc
- MINI HALOGEN TRANSFORMER, COMPACT SIZE
- SHORT CIRCUIT PROTECTED, AUTO RESET
- BLACK PLASTIC CASE
- OUTPUT LEADS 6" RED TEW, 4 LEAD OUT ONE END
- SIZE 2.60" L X 1.38"W X .78"H (67mmX35mmX20mm)
- DIMMABLE
- UR, cUR



WH-601E6A-4

60 WATT MAX TRANSFORMER WITH ALUMINUM CASE

- INPUT VOLTS 120V -MINIMUM LOAD 10W
- OUTPUT VOLTS 11.5Vdc
- MINI HALOGEN TRANSFORMER, COMPACT SIZE
- SHORT CIRCUIT PROTECTED, AUTO RESET
- ALUMINUM CASE
- OUTPUT LEADS 6" RED TEW, 4 LEADS OUT ONE END
- SIZE 2.55" L X 1.38"W X 1.02"H (65mmX35mmX26mm)
- DIMMABLE
- UR, cUR



WH-801E6A

80 WATT MAX TRANSFORMER

- INPUT VOLTS 120V- MINIMUM LOAD 20W
- OUTPUT VOLTS 11.5Vdc
- MINI HALOGEN TRANSFORMER, COMPACT SIZE
- SHORT CIRCUIT PROTECTED, AUTO RESET
- BLACK PLASTIC CASE
- OUTPUT LEADS 6" RED TEW, 2 LEADS OUT EACH END
- SIZE 2.55" L X 1.38"W X 1.02"H (65mmX35mmX26mm)
- DIMMABLE
- UR, cUR

FOR MORE INFORMATION PLEASE CALL 1-800-661-9610 (HEAD OFFICE) 1-888-762-5384 (USA)

PLEASE CONSULT THE FACTORY FOR MORE PRODUCTS AND CUSTOMIZATION.  
PRODUCT DETAILS AND SPECIFICATIONS ARE SUBJECT TO CHANGE WITHOUT NOTICE.





WH-801E6A-3

### 80 WATT MAX TRANSFORMER WITH ALUMINUM CASE

- INPUT VOLTS 120V- MINIMUM LOAD 20W
- OUTPUT VOLTS 11.5Vdc
- MINI HALOGEN TRANSFORMER, COMPACT SIZE
- SHORT CIRCUIT PROTECTED, AUTO RESET
- ALUMINUM CASE
- OUTPUT LEADS 6" RED TEW, 4 LEADS OUT ONE END
- SIZE 2.09" L X 1.30"W X .70."H (53mmX33mmX21mm)
- DIMMABLE
- UR, cUR



WH-1201E6A

### 105 WATT MAX TRANSFORMER

- INPUT VOLTS 120V -MINIMUM LOAD 35W
- OUTPUT VOLTS 11.5Vdc
- HALOGEN TRANSFORMER, COMPACT SIZE
- SHORT CIRCUIT PROTECTED, AUTO RESET
- BLACK PLASTIC CASE WITH CENTER HOLE FOR MOUNTING
- OUTPUT LEADS 6" RED TEW, 2 LEADS OUT OF EACH END
- SIZE 4.31" L X 1.81"W X 1.25"H (110mmX46mmX32mm)
- DIMMABLE
- UR, cUR



WH-1601E6A

### 150 WATT MAX TRANSFORMER

- INPUT VOLTS 120V- MINIMUM LOAD 35W
- OUTPUT VOLTS 11.5Vdc
- HALOGEN TRANSFORMER, COMPACT SIZE
- SHORT CIRCUIT PROTECTED, AUTO RESET
- BLACK PLASTIC CASE WITH CENTER HOLE FOR MOUNTING
- OUTPUT LEADS 6" RED TEW, 2 LEADS OUT OF EACH END
- SIZE 4.31" L X 1.81"W X 1.25"H (110mmX46mmX32mm)
- DIMMABLE
- UR, cUR



WH-2301E6A

### 230 WATT MAX TRANSFORMER

- INPUT VOLTS 120V- MINIMUM LOAD 35W
- OUTPUT VOLTS 11.5Vdc
- HALOGEN TRANSFORMER, COMPACT SIZE
- SHORT CIRCUIT PROTECTED, AUTO RESET
- BLACK PLASTIC CASE WITH CENTER HOLE AND AL HEAT SINK
- OUTPUT LEADS 6" RED TEW, 2 LEADS OUT OF EACH END
- SIZE 4.31" L X 1.81"W X 1.25"H (110mmX46mmX32mm)
- DIMMABLE
- UR, cUR

# COMPACT FLUORESCENT LAMP HOLDERS

## SECTION D COMPACT FLUORESCENT LAMP HOLDERS

Compact Fluorescent Lampholders and Bases	D2
G23 / GX23	D3 - D4
G24 / GX24	D5 - D10
2G7 / 2GX7	D10
G24 / 2G11	D11 - D13
Compact Fluorescent Lamp Accessories	D13 - D14
GU24	D15 - D16

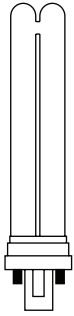


# COMPACT FLUORESCENT LAMPHOLDERS

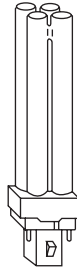
D2

## COMPACT FLUORESCENT LAMP SHAPES

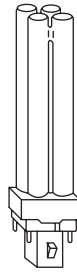
G23 / GX-23 / G23-2



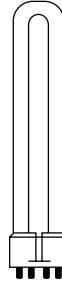
G24-d / GX32-d



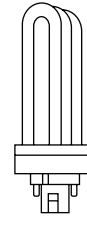
G24-q / GX24-q



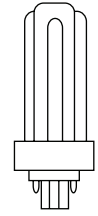
2G7 / 2GX7 / 2G11



GX24-d

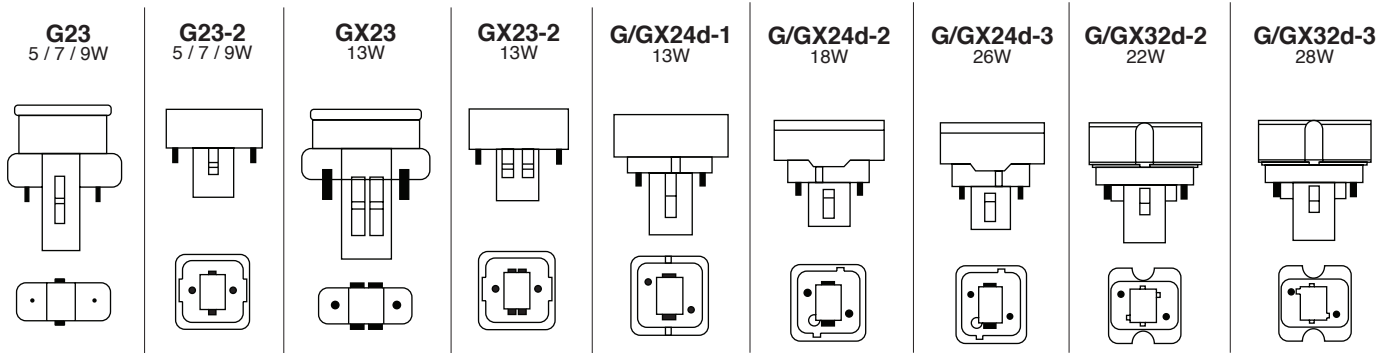


GX24-q

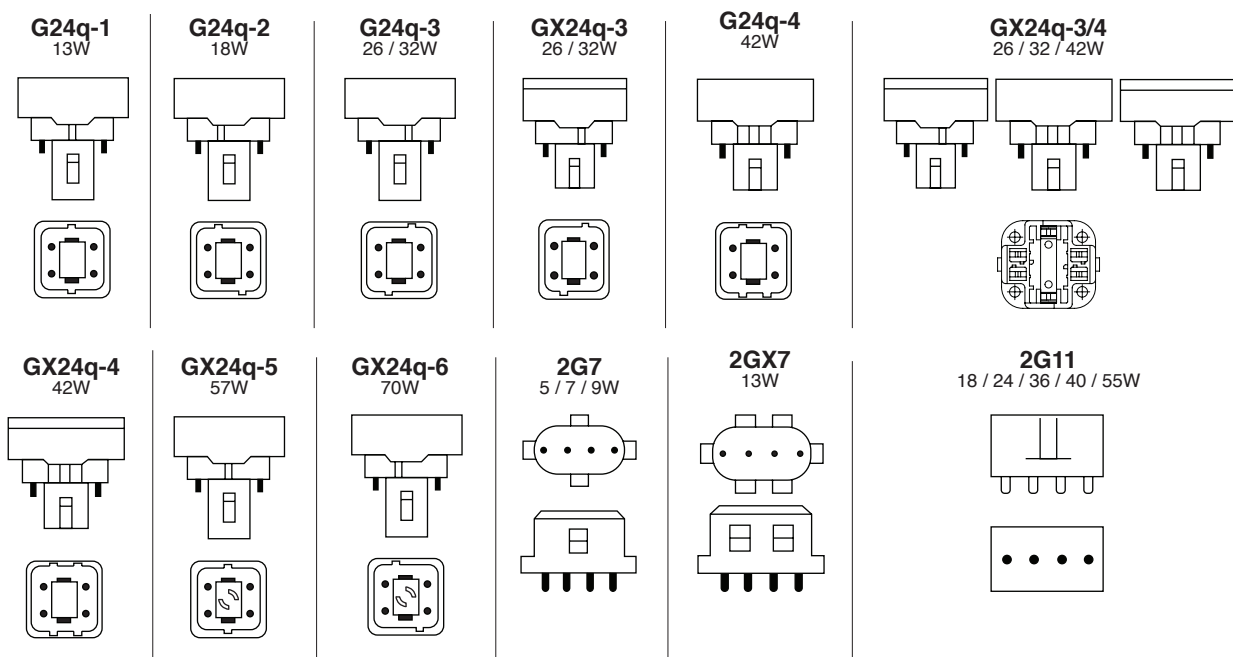


## COMPACT FLUORESCENT LAMP BASES

### 2 PIN LAMPS



### 4 PIN LAMPS



**G-23 / GX-23**

**CF79-HSI 7/9W Horizontal Bottom Snap-In Mount / CF13-HSI 13W Horizontal Bottom Snap-In Mount**

	<ul style="list-style-type: none"> <li>- For twin or quad tube lamps</li> <li>- High strength thermoplastic body</li> <li>- Metal spring clip for positive lamp retention</li> <li>- Quick connect push-in wire terminals for 18 AWG Solid or Twist &amp; Tin, stripped 7/16"</li> <li>- Snap-in mount into 0.025-0.040" (0.6 - 1 mm) panel thickness</li> </ul>	<ul style="list-style-type: none"> <li>- Each wiring port accepts 2 wires for easy harness wiring, no extra jumpers or wire nuts to assemble</li> <li>- Rated 75W, 600V</li> <li>- cCSAus Certified / cULus Listed</li> </ul>

**CF79-HSI15 5/7/9W Horizontal Snap-In Mount 15° Angle / CF13-HSI15 13W Horizontal Snap-In Mount 15° Angle**

	<ul style="list-style-type: none"> <li>- For twin or quad tube lamps</li> <li>- White polycarbonate body</li> <li>- Metal spring clip for positive lamp retention</li> <li>- Socket is angled 15°</li> <li>- Quick connect push-in wire terminals for 18 AWG Solid or Twist &amp; Tin or solder dipped wire, stripped 7/16"</li> </ul>	<ul style="list-style-type: none"> <li>- Snaps into 0.025 – 0.040" (0.6 – 1 mm) panel thickness</li> <li>- Each wiring port accepts 2 wires for easy harness wiring, no extra jumpers or wire nuts to assemble</li> <li>- Rated 75W, 600V</li> <li>- cCSAus Certified / cULus Listed</li> </ul>

**CF79-HSM 7/9W Horizontal Bottom Screw Mount / CF13-HSM 13W Horizontal Bottom Screw Mount**

	<ul style="list-style-type: none"> <li>- For twin or quad tube lamps</li> <li>- High strength thermoplastic body</li> <li>- Metal spring clip for positive lamp retention</li> <li>- Quick connect push-in wire terminals for 18 AWG Solid or Twist &amp; Tin, stripped 7/16"</li> <li>- Snap-in mount into 0.025-0.040" (0.6 - 1 mm) panel thickness</li> </ul>	<ul style="list-style-type: none"> <li>- Each wiring port accepts 2 wires for easy harness wiring, no extra jumpers or wire nuts to assemble</li> <li>- Rated 75W, 600V</li> <li>- cCSAus Certified / cULus Listed</li> </ul>

FOR MORE INFORMATION PLEASE CALL 1-800-661-9610 (HEAD OFFICE) 1-888-762-5384 (USA)

PLEASE CONSULT THE FACTORY FOR MORE PRODUCTS AND CUSTOMIZATION. PRODUCT DETAILS AND SPECIFICATIONS ARE SUBJECT TO CHANGE WITHOUT NOTICE.





G-23 / GX-23

CF79-VSI 5/7/9W Vertical Snap-In Mount / CF13-VSI 13W Vertical Snap-In Mount

	<ul style="list-style-type: none"> <li>- For twin or quad tube lamps</li> <li>- White polycarbonate body</li> <li>- Metal spring clip for positive lamp retention</li> <li>- Quick connect push-in wire terminals for 18 AWG Solid or Twist &amp; Tin or solder dipped wire, stripped 7/16"</li> </ul>	<ul style="list-style-type: none"> <li>- Bottom snap-in mount into panel of 0.030 – 0.067" (0.8 – 1.7 mm) thickness</li> <li>- Two wire terminals per wire port</li> <li>- Rated 75W, 600V</li> <li>- cCSAus Certified / cULus Listed</li> </ul>
		<p>PANEL CUTOUT</p>

CF79-VSM 5/7/9W Vertical 4 Hole Screw Mount / CF13-VSM 13W Vertical 4 Hole Screw Mount

	<ul style="list-style-type: none"> <li>- For twin or quad tube lamps</li> <li>- White polycarbonate body</li> <li>- Metal spring clip for positive lamp retention</li> <li>- Quick connect push-in wire terminals for 18 AWG Solid or Twist &amp; Tin or solder dipped wire, stripped 7/16"</li> </ul>	<ul style="list-style-type: none"> <li>- Four holes on mounting plate for fast, easy installation</li> <li>- Each wiring port accepts 2 wires for easy harness wiring</li> <li>- Rated 75W, 600V</li> <li>- cCSAus Certified / cULus Listed</li> </ul>
		<p>PANEL CUTOUT</p>

LCM-G23-LP-SC Metal Lamp Support Screw Mount

	<ul style="list-style-type: none"> <li>- Lamp support clip for G23 and GX23 base lamps</li> <li>- Made from corrosion resistant spring steel for long service life</li> <li>- Single height stand off of 0.160" (4.06mm)</li> </ul>	<ul style="list-style-type: none"> <li>- Screw mounts using one 0.210" (5.4mm) hole in panel</li> <li>- Two smaller holes can be used to add anti rotation</li> </ul>

**G-24 / GX-24**

**CFG24-D** Multi Wattage Non-keyed Vertical 4 Hole Screw Mount / **CF13G24-D1** 13W G/GX24-D1 Base Keyed Version  
**CF18G24-D2** 18W G/GX24-D2 Base Keyed Version / **CF26G24-D3** 26W G/GX24-D3 Base Keyed Version

<p><b>G24-d</b>    <b>GX24-d</b>    <b>13W</b>    <b>18W</b>    <b>26W</b></p>	<ul style="list-style-type: none"> <li>- For 2 pin quad lamps in G24 or GX24 base</li> <li>- High strength polycarbonate body</li> <li>- Metal spring clip for positive lamp retention</li> <li>- Quick connect push-in wire terminals for 18 AWG Solid or Twist &amp; Tin, stripped 7/16"</li> <li>- Non-keyed accepts all lamp wattages, stock one item instead of three</li> </ul> <ul style="list-style-type: none"> <li>- Each wiring port accepts 2 wires for easy harness wiring</li> <li>- Four holes on base for secure mounting</li> <li>- Rated 75W, 600V</li> <li>- cCSAus Certified / cULus Listed</li> </ul>

**CFG24-Q** 13/18/26/32/42W Multi Wattage Non-keyed Vertical 4 Hole Screw Mount / **CF13G24-Q1** 13W Keyed  
**CF18G24-Q2** 18W Keyed / **CF26G24-Q3** 26W Keyed / **CFG24-Q3/4** 26/32/42W Keyed / **CF42G24-Q4** 42W Keyed  
**CF57G24-Q5** 57W Keyed **CF70G24-Q6** 70W Keyed

<p><b>G24-q</b>    <b>13W</b>    <b>18W</b>    <b>26/32W</b>    <b>26/32/42W</b>    <b>42/57/70W</b></p> <p><b>GX24-q</b></p>	<ul style="list-style-type: none"> <li>- For 4 pin quad lamps, electronically ballasted, in G24 or GX24 base</li> <li>- High strength polycarbonate body</li> <li>- Metal spring clip for positive lamp retention</li> <li>- Quick connect push-in wire terminals for 18 AWG Solid or Twist &amp; Tin, stripped 7/16"</li> <li>- Non-keyed accepts all lamp wattages, stock one item instead of six</li> </ul> <ul style="list-style-type: none"> <li>- Each wiring port accepts 2 wires for easy harness wiring</li> <li>- Four holes on base for secure mounting</li> <li>- Rated 75W, 600V</li> <li>- cCSAus Certified / cULus Listed</li> </ul>

**\*Available in higher temperature material - 125C - Lexan 223R - ADD SUFFIX -223R to the part number**

COMPACT FLUORESCENT

G-24 / GX-24

- CF13G24-Q1-TL** 13W Rotary Lock Version, Keyed Screw Mount
- CF18G24-Q2-TL** 18W Rotary Lock Version, Keyed Screw Mount
- CF26G24-Q3-TL** 26/32W Rotary Lock Version, Keyed Screw Mount
- CF42G24-Q4-TL** 42W Rotary Lock Version, Keyed Screw Mount
- CFG24-Q3/4-TL** 26/32/42W Rotary Lock Version, Keyed Screw Mount

COMPACT FLUORESCENT

<p><b>G24-q</b>    <b>GX24-q</b>    <b>13W</b>    <b>18W</b>    <b>26/32W</b>    <b>42W</b></p>	<ul style="list-style-type: none"> <li>- For 4 pin quad lamps in G24 or GX24 base</li> <li>- High strength polycarbonate body</li> <li>- Snaps securely into 18 or 20 ga. panel</li> <li>- Greatly improves assembly time</li> <li>- Metal spring clip for positive lamp retention</li> <li>- Non-keyed accepts all lamp wattages, stock one item instead of three</li> <li>- Quick connect push-in wire terminals for 18 AWG Solid or Twist &amp; Tin, stripped 7/16"</li> <li>- Designed for High Vibration applications where a CF lamp will be used, such as drilling platforms, mining, earthquake proof buildings</li> <li>- Rotate 10 degrees to lock and back 10 degrees to unlock</li> <li>- Lamp is secure and will not fall out due to patent pending design</li> <li>- Each wiring port accepts 2 wires for easy harness wiring</li> <li>- Four holes on base for secure mounting</li> <li>- Rated 75W, 600V</li> <li>- cCSAus Certified / cULus Listed</li> </ul>
---	--

<p><b>PANEL CUTOUT</b></p> <p>0.81" (20.6) 0.15" x 0.19" (3.8 x 4.8) 1.00" (25.4) 0.15" Dia. (3.8)</p>	<p><b>LOCKED</b></p> <p>6.20 34.8 28.8 11.0 33.0 3.6</p> <p><b>UNLOCK</b></p> <p>10.0 29.0 32.6</p>
--	---

- CFG24-D-BSI** Multi Wattage Snap-In Non-keyed Version / **CF13G24-D1-BSI** 13W G/GX24-D1 Base Keyed Version
- CF18G24-D2-BSI** 18W G/GX24-D2 Base Keyed Version / **CF26G24-D3-BSI** 26W G/GX24-D3 Base Keyed Version

<p><b>G24-d</b>    <b>GX24-d</b>    <b>13W</b>    <b>18W</b>    <b>26W</b></p>	<ul style="list-style-type: none"> <li>- For 2 pin quad lamps in G24 or GX24 base</li> <li>- High strength polycarbonate body</li> <li>- Snaps securely into 18 or 20 ga. panel</li> <li>- Greatly improves assembly time</li> <li>- Metal spring clip for positive lamp retention</li> <li>- Non-keyed accepts all lamp wattages, stock one item instead of three</li> <li>- Quick connect push-in wire terminals for 18 AWG Solid or Twist &amp; Tin, stripped 7/16"</li> <li>- Each wiring port accepts 2 wires for easy harness wiring</li> <li>- Four holes on base for secure mounting</li> <li>- Rated 75W, 600V</li> <li>- cCSAus Certified / cULus Listed</li> </ul>
--	---

<p><b>PANEL CUTOUT</b></p> <p>0.06" 0.56" 1.40" 0.36" 0.27"</p>	<p>28.80 [1.134] 1.50 [0.059] 4.00 [0.157] 11.40 [0.449] 33.00 [1.299] 6.58 [0.259] 29.00 [1.142] 32.20 [1.268] 39.90 [1.571] 20.60 [0.811] 4.00 [0.157] 25.40 [1.000]</p>
---	--

**G-24 / GX-24**

- CFG24-Q-BSI** 13/42W Multi Wattage Snap-In Non-Keyed Version
- CF13G24-Q1-BSI** 13W Keyed
- CF18G24-Q2-BSI** 18W Keyed
- CF24G24-Q3/4-BSI** 26W/32/42W Keyed
- CF26G24-Q3-BSI** 26W/32W Keyed
- CF42G24-Q4-BSI** 42W Keyed
- CF57G24-Q5-BSI** 57W Keyed
- CF70G24-Q6-BSI** 70W Keyed

<p><b>G24-q</b></p> <p><b>GX24-q</b></p> <p>13W   18W   26/32W   26/32/42W   42/57/70W</p>	<ul style="list-style-type: none"> <li>- For 4 pin quad lamps, electronically ballasted, in G24 or GX24 base</li> <li>- High strength polycarbonate body</li> <li>- Snaps securely into 18 or 20 ga. panel</li> <li>- Greatly improves assembly time</li> <li>- Metal spring clip for positive lamp retention</li> <li>- Non-keyed accepts all lamp wattages, stock one item instead of six</li> <li>- Quick connect push-in wire terminals for 18 AWG Solid or Twist &amp; Tin, stripped 7/16"</li> </ul> <ul style="list-style-type: none"> <li>- Each wiring port accepts 2 wires for easy harness wiring</li> <li>- Four holes on base for secure mounting</li> <li>- Rated 75W, 600V</li> <li>- cCSAus Certified / cULus Listed</li> </ul>
--	---

**\*Available in higher temperature material - 125C - Lexan 223R - ADD SUFFIX -223R to the part number**

- CF13G24-Q1-BSI-TL** 13W Rotary Lock Version, Keyed Snap-In Mount
- CF18G24-Q2-BSI-TL** 18W Rotary Lock Version, Keyed Snap-In Mount
- CF26G24-Q3-BSI-TL** 26/32W Rotary Lock Version, Keyed Snap-In Mount
- CF42G24-Q4-BSI-TL** 42W Rotary Lock Version, Keyed Snap-In Mount
- CFG24-Q3/4-BSI-TL** 26/32/42W Rotary Lock Version, Keyed Snap-In Mount

<p><b>G24-Q</b>   <b>GX24-Q</b>   13W   18W   26/32W   42W</p>	<ul style="list-style-type: none"> <li>- For 4 pin quad lamps, electronically ballasted, in G24 or GX24 base</li> <li>- High strength polycarbonate body</li> <li>- Snaps securely into 18 or 20 ga. panel</li> <li>- Greatly improves assembly time</li> <li>- Metal spring clip for positive lamp retention</li> <li>- Non-keyed accepts all lamp wattages, stock one item instead of six</li> <li>- Quick connect push-in wire terminals for 18 AWG Solid or Twist &amp; Tin, stripped 7/16"</li> <li>- Designed for High Vibration applications where a CF lamp will be used, such as drilling platforms, mining, earthquake proof buildings</li> </ul> <ul style="list-style-type: none"> <li>- Rotate 10 degrees to lock and back 10 degrees to unlock</li> <li>- Lamp is secure and will not fall out due to patent pending design</li> <li>- Each wiring port accepts 2 wires for easy harness wiring</li> <li>- Four holes on base for secure mounting</li> <li>- Rated 75W, 600V</li> <li>- cCSAus Certified / cULus Listed</li> </ul>
--	--

**LOCKED**

**UNLOCK**

FOR MORE INFORMATION PLEASE CALL 1-800-661-9610 (HEAD OFFICE) 1-888-762-5384 (USA)

PLEASE CONSULT THE FACTORY FOR MORE PRODUCTS AND CUSTOMIZATION. PRODUCT DETAILS AND SPECIFICATIONS ARE SUBJECT TO CHANGE WITHOUT NOTICE.



COMPACT FLUORESCENT

## G-24 / GX-24

**FL423V-D1** 13W 2 Pin Horizontal 2 Hole Screw Mount / **FL423V-D2** 18W 2 Pin Horizontal 2 Hole Screw Mount  
**FL423V-D3** 26W 2 Pin Horizontal 2 Hole Screw Mount

<b>G24</b>	<b>GX24</b>	<b>13W</b>	<b>18W</b>	<b>26W</b>	<ul style="list-style-type: none"> <li>- For 2 pin quad lamps</li> <li>- White polycarbonate body</li> <li>- Metal spring clip for positive lamp retention</li> <li>- Quick connect push-in wire terminals for 18 AWG Solid or Twist &amp; Tin, stripped 3/8"</li> </ul>	<ul style="list-style-type: none"> <li>- Two wire ports per terminal to speed harness wiring</li> <li>- Two hole screw mount on base plate</li> <li>- Rated 75W, 600V</li> <li>- cCSAus Certified / cULus Listed</li> </ul>

**FL423V-Q** Multi Wattage, Non-keyed, 2 Hole Screw Mount / **FL423V-Q1** 13W 4 Pin Horizontal 2 Hole Screw Mount  
**FL423V-Q2** 18W 4 Pin Horizontal 2 Hole Screw Mount / **FL423V-Q3** 26/32W 4 Pin Horizontal 2 Hole Screw Mount  
**FL423V-Q3/4** 26/32W/42W 4 Pin Horizontal 2 Hole Screw Mount / **FL423V-Q4** 42W 4 Pin Horizontal 2 Hole Screw Mount

<b>G24</b>	<b>GX24</b>	<b>13W</b>	<b>18W</b>	<b>26/32W</b>	<b>42W</b>	<ul style="list-style-type: none"> <li>- For 4 pin electronic ballasted quad or triple tube lamps</li> <li>- White polycarbonate body 110°C rated</li> <li>- Metal spring clip for positive lamp retention</li> <li>- Quick connect push-in wire terminals for 18 AWG Solid or Twist &amp; Tin or solder dipped</li> </ul>	<ul style="list-style-type: none"> <li>- wire, stripped 3/8"</li> <li>- Two wire ports per terminal to speed harness wiring</li> <li>- Two hole screw mount on base plate</li> <li>- Rated 75W, 600V</li> <li>- cCSAus Certified / cULus Listed</li> </ul>

\*Available in higher temperature material - 125C - Lexan 223R - ADD SUFFIX -223R to the part number

**FL423V-Q-BSI** Multi Wattage, Non-keyed, Snap-In Mount / **FL423V-Q1-BSI** 13W 4 Pin Horizontal Snap-In Mount  
**FL423V-Q2-BSI** 18W 4 Pin Horizontal Snap-In Mount / **FL423V-Q3-BSI** 26/32W 4 Pin Horizontal Snap-In Mount  
**FL423V-Q3/4-BSI** 26/32W/42W 4 Pin Horizontal Snap-In Mount / **FL423V-Q4-BSI** 42W 4 Pin Horizontal Snap-In Mount

<b>G24</b>	<b>GX24</b>	<b>13W</b>	<b>18W</b>	<b>26/32W</b>	<b>42W</b>	<ul style="list-style-type: none"> <li>- For 4 pin electronic ballasted quad or triple tube lamps</li> <li>- White polycarbonate body 110°C rated</li> <li>- Metal spring clip for positive lamp retention</li> <li>- Quick connect push-in wire terminals for 18 AWG Solid or Twist &amp; Tin or solder dipped</li> </ul>	<ul style="list-style-type: none"> <li>- wire, stripped 3/8"</li> <li>- Two wire ports per terminal to speed harness wiring</li> <li>- Snap In mount on base plate</li> <li>- Rated 75W, 600V</li> <li>- cCSAus Certified / cULus Listed</li> </ul>

\*Available in higher temperature material - 125C - Lexan 223R - ADD SUFFIX -223R to the part number



G-24 / GX-24

**FL423V-Q-45-BSI** Multi Wattage, Non-keyed, Snap-In Mount / **FL423V-Q1-45-BSI** 13W 4 Pin Horizontal Snap-In Mount  
**FL423V-Q2-45-BSI** 18W 4 Pin Horizontal Snap-In Mount / **FL423V-Q3-45-BSI** 26/32W 4 Pin Horizontal Snap-In Mount  
**FL423V-Q3/4-45-BSI** 26/32/42W 4 Pin Horizontal Snap-In Mount / **FL423V-Q4-45-BSI** 42W 4 Pin Horizontal Snap-In Mount

<p><b>G24</b>    <b>GX24</b>    <b>13W</b>    <b>18W</b>    <b>26/32W</b>    <b>42W</b></p>	<ul style="list-style-type: none"> <li>- For 4 pin electronic ballasted quad or triple tube lamps</li> <li>- White high heat Polycarbonate body, 110°C rated</li> <li>- Metal spring clip for positive lamp retention</li> <li>- Quick connect push-in wire terminals for 18 AWG Solid or Twist &amp; Tin or solder dipped</li> </ul>	<ul style="list-style-type: none"> <li>wire, stripped 3/8"</li> <li>- Two wire ports per terminal to speed harness wiring</li> <li>- Snap In mount on base plate</li> <li>- Rated 75W, 600V</li> <li>- cCSAus Certified / cULus Listed</li> </ul>
<p><b>*Available in higher temperature material - 125C - Lexan 223R - ADD SUFFIX -223R to the part number</b></p>		

**FL448-D** 13/18/26W Non-keyed 2 Pin Outer Thread Screw Mount

<p><b>G24-d</b>    <b>GX24-d</b>    <b>13W</b>    <b>18W</b>    <b>26W</b></p>	<ul style="list-style-type: none"> <li>- For 2 pin quad lamps</li> <li>- White high heat PC body</li> <li>- Two hole screw mounting in base or use snap-on caps to secure to 1/8" IPS or 1/4" IPS pipe</li> </ul>	<ul style="list-style-type: none"> <li>- Quick connect push-in wire terminals for 18 AWG Solid or Twist &amp; Tin or solder dipped wire, stripped 3/8"</li> <li>- Metal spring clip for positive lamp retention</li> <li>- Rated 75W, 600V</li> <li>- cCSAus Certified / cULus Listed</li> </ul>

**FL448-Q** 13/18/26/32/42W Non-keyed 4 Pin Outer Thread Screw Mount

<p><b>G24-q</b>    <b>GX24-q</b>    <b>13W</b>    <b>18W</b>    <b>26/32W</b>    <b>42W</b></p>	<ul style="list-style-type: none"> <li>- For 4 pin electronically ballasted quad lamps</li> <li>- White high heat PC body</li> <li>- Two hole screw mounting in base or use snap-on caps to secure to 1/8" IPS or 1/4" IPS pipe</li> <li>- Quick connect push-in wire terminals for 18 AWG Solid or Twist &amp; Tin or solder dipped</li> </ul>	<ul style="list-style-type: none"> <li>AWG Solid or Twist &amp; Tin or solder dipped wire, stripped 3/8"</li> <li>- Metal spring clip for positive lamp retention</li> <li>- Rated 75W, 600V</li> <li>- cCSAus Certified / cULus Listed</li> </ul>

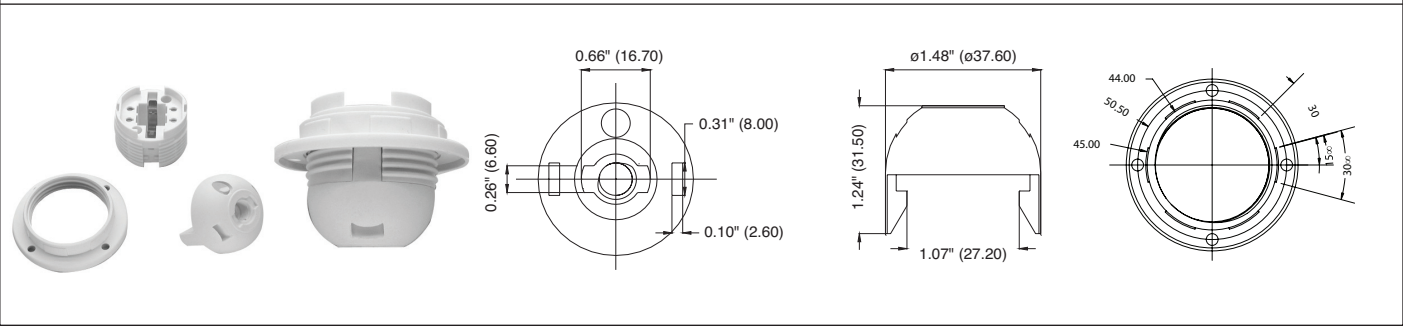
FOR MORE INFORMATION PLEASE CALL 1-800-661-9610 (HEAD OFFICE) 1-888-762-5384 (USA)

PLEASE CONSULT THE FACTORY FOR MORE PRODUCTS AND CUSTOMIZATION.  
 PRODUCT DETAILS AND SPECIFICATIONS ARE SUBJECT TO CHANGE WITHOUT NOTICE.

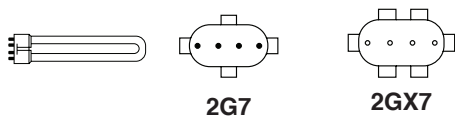
G-24 / 2G7 / 2GX7

**FL448-CAP-1/8IPS** 13/18/26W Insulating Snap-On Cap for FL448-X / **FL448-RING** Shade Holder Ring for FL448-X

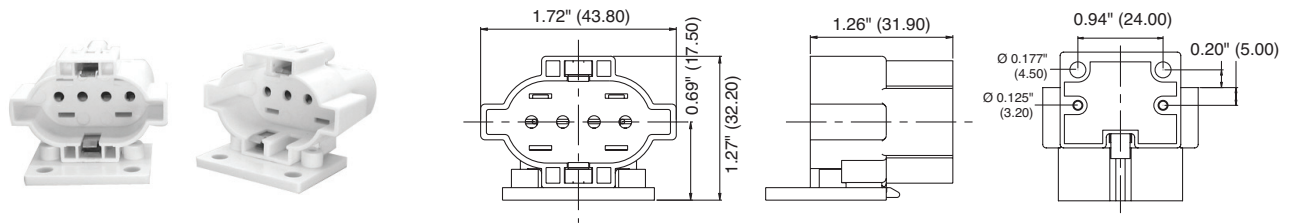
- Snap-On Insulating Cap with Anti-Rotation Slots
- Hole will accommodate 1/8" IPS pipe
- Use 2 jam nuts to secure in place
- White Threaded Shade Holder Ring
- Made from thermoplastic
- Use to secure shade to FL-448 Series



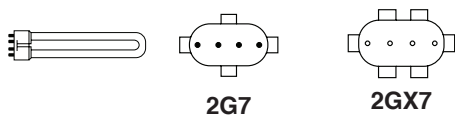
**CF2G7-HSM** 2G7 5/7/9W Horizontal Screw Mount / **CF2GX7-HSM** 2GX7 13W Horizontal Screw Mount



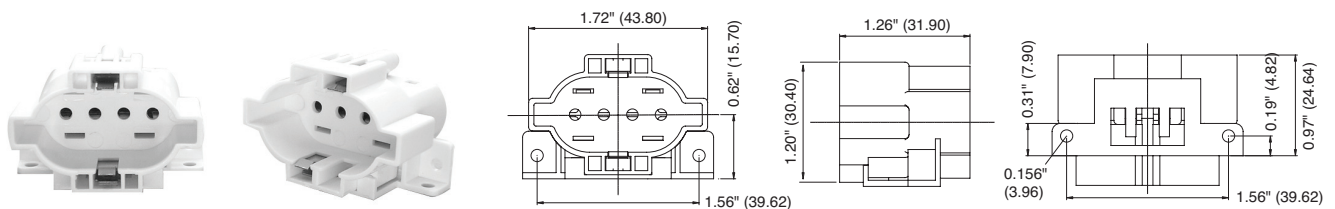
- Made from polycarbonate rated 110°C
- Phosphor Bronze contacts
- Screw mounts into panel horizontally
- Can be mounted using thread cutting screws into the socket
- Quick connect push-in wire terminals for 18 AWG solid or bonded Copper wire, stripped 7/16"
- Screw mounts into (2) .177" holes in panel
- Cutting screws go into (2) .125" holes in socket
- Two wire ports per terminal
- Rated 75W, 600V
- cCSAus Certified / cULus Listed



**CF2G7-VHSM** 2G7 5/7/9W Vertical / Horizontal Screw Mount / **CF2GX7-VHSM** 2GX7 13W Vertical / Horizontal Screw Mount



- Made from polycarbonate rated 110°C
- Phosphor Bronze contacts
- Can be mounted either vertically or horizontally on the panel
- Quick connect push-in wire terminals for 18 AWG solid or bonded Copper wire, stripped 7/16"
- Screw mounts into (2) .156" holes in panel
- Two wire ports per terminal
- Rated 75W, 600V
- cCSAus Certified / cULus Listed



2G7 / 2G11

CF2G7-HSI 2G7 5/7/9W Horizontal Snap-In Mount / CF2GX7-HSI 2GX7 13W Horizontal Snap-In Mount

<p><b>2G7</b>      <b>2GX7</b></p>	<ul style="list-style-type: none"> <li>- Made from polycarbonate rated 125°C</li> <li>- Phosphor Bronze contacts</li> <li>- Snaps into panel for faster assembly time</li> <li>- Quick connect push-in wire terminals for 18 AWG solid or bonded Copper wire, stripped 7/16"</li> </ul>	<ul style="list-style-type: none"> <li>- Fits into 20mm x 10mm panel cut out</li> <li>- Two wire ports per terminal</li> <li>- Rated 75W, 600V</li> <li>- cCSAus Certified / cULus Listed</li> </ul>
<p>Technical drawings showing dimensions for CF2G7-HSI and CF2GX7-HSI lamp holders. Dimensions include: 1.72" (43.80), 0.69" (17.50), 1.27" (32.20), 1.26" (31.90), 0.26" (6.50), 0.79" (20.00), 0.39" (10.00), and PANEL CUTOUT.</p>		

CF2G11-HNB 2G11 Horizontal Without Base / CF2G11-HNB-S Shunted Version

<p><b>2G11</b></p>	<ul style="list-style-type: none"> <li>- White PC body</li> <li>- Spring metal clip for positive lamp retention</li> <li>- No base - mounts using 2 screws through lampholder body for confined spaces</li> <li>- Quick connect push-in wire terminals for 18 AWG solid or Twist &amp; Tin or solder dipped wire, stripped 3/8"</li> </ul>	<ul style="list-style-type: none"> <li>- Two wire ports per terminal for easier wiring of multiple lampholder circuits</li> <li>- 75W, 600V</li> <li>- cCSAus Certified / cULus Listed</li> </ul>
<p>Technical drawings showing dimensions for CF2G11-HNB and CF2G11-HNB-S lamp holders. Dimensions include: 0.94" (24.00), 0.30" (7.50), 1.32" (33.50), 0.66" (16.80), 1.83" (46.50), and UN-SHUNTED / SHUNTED.</p>		

CF2G11-HSI 2G11 Horizontal Snap-In Mount / CF2G11-HSI-S Shunted Version

<p><b>2G11</b></p>	<ul style="list-style-type: none"> <li>- White PC body</li> <li>- Spring metal clip for positive lamp retention</li> <li>- Snap-in mount using 2 holes into a 0.025 x 0.040" (0.6 x 1 mm) panel thickness</li> <li>- Quick connect push-in wire terminals for 18 AWG solid or Twist &amp; Tin or solder dipped wire, stripped 3/8"</li> </ul>	<ul style="list-style-type: none"> <li>- Two wire ports per terminal for easier wiring of multiple lampholder circuits</li> <li>- 75W, 600V</li> <li>- cCSAus Certified / cULus Listed</li> </ul>
<p>Technical drawings showing dimensions for CF2G11-HSI and CF2G11-HSI-S lamp holders. Dimensions include: 1.87" (47.50), 0.94" (24.00), 0.30" (7.50), 0.83" (21.00), 1.49" (37.75), 1.02" (25.83), 1.88" (47.70), 1.88" (47.70), 1.02" (25.83), 0.525" + 0.010" (13.3 + 0.2), 1.00" + 0.010" (25.5 + 0.2), and PANEL CUTOUT.</p>		

FOR MORE INFORMATION PLEASE CALL 1-800-661-9610 (HEAD OFFICE) 1-888-762-5384 (USA)

PLEASE CONSULT THE FACTORY FOR MORE PRODUCTS AND CUSTOMIZATION. PRODUCT DETAILS AND SPECIFICATIONS ARE SUBJECT TO CHANGE WITHOUT NOTICE.

**CF2G11-HSM** 2G11 Horizontal Screw Mount / **CF2G11-HSM-S** Shunted Version

<p>2G11</p>	<ul style="list-style-type: none"> <li>- White polycarbonate body</li> <li>- Spring metal clip for positive lamp retention</li> <li>- Mounts using 2 screw holes located in base legs</li> <li>- Quick connect push-in wire terminals for 18 AWG solid or Twist &amp; Tin or solder dipped wire, stripped 3/8"</li> </ul> <ul style="list-style-type: none"> <li>- Two wire ports per terminal for easier wiring of multiple lampholder circuits</li> <li>- 75W, 600V</li> <li>- cCSAus Certified / cULus Listed</li> </ul>

**CF2G11-H9SI** 2G11 Horizontal 90° Snap-In Mount / **CF2G11-H9SI-S** Shunted Version

<p>2G11</p>	<ul style="list-style-type: none"> <li>- White polycarbonate body</li> <li>- Spring metal clip for positive lamp retention</li> <li>- Lamp position is 90° or vertical to the mounting plane</li> <li>- Quick connect push-in wire terminals for 18 AWG solid or Twist &amp; Tin or solder dipped wire, stripped 3/8"</li> </ul> <ul style="list-style-type: none"> <li>- Snap-in mount into 2 holes into a 0.025 x 0.040" (0.6 x 1 mm) panel thickness</li> <li>- Two wire ports per terminal for easier wiring of multiple lampholder circuits</li> <li>- 75W, 600V</li> <li>- cCSAus Certified / cULus Listed</li> </ul>

**CF2G11-HSM-REL** 2G11 Horizontal Screw Mount - Releasable

<p>2G11</p>	<ul style="list-style-type: none"> <li>- Use where extra mechanical support is required</li> <li>- Can be used where there is little room to remove the lamp horizontally, lamp can be removed laterally.</li> <li>- Push button to release the lamp.</li> <li>- Made from Polycarbonate, rated 110°C</li> <li>- Phosphor bronze contacts</li> </ul> <ul style="list-style-type: none"> <li>- Quick connect push-in wire terminals for 18 AWG solid or Twist &amp; Tin or solder dipped wire, stripped 7/16"</li> <li>- Two wire ports per terminal for easier wiring of multiple lampholder circuits</li> <li>- Rear screw mounts into two holes in panel located in base legs.</li> <li>- 75W, 600V</li> <li>- cCSAus Certified / cULus Listed</li> </ul>

**2G11**

**CF2G11-RSM-REL 2G11 Rear Screw Mount - Releasable**

		<p><b>2G11</b></p>	<ul style="list-style-type: none"> <li>- Use where extra mechanical support is required</li> <li>- Can be used where there is little room to remove the lamp horizontally, lamp can be removed laterally.</li> <li>- Push button to release the lamp.</li> <li>- Made from Polycarbonate, rated 110°C</li> <li>- Phosphor bronze contacts</li> <li>- Quick connect push-in wire terminals</li> </ul> <ul style="list-style-type: none"> <li>for 18 AWG solid or Twist &amp; Tin or solder dipped wire, stripped 7/16"</li> <li>- Two wire ports per terminal for easier Rear screw mount into two holes in vertical panel or using 2 self tapping screws into lampholder.</li> <li>- 75W, 600V</li> <li>- cCSAus Certified / cULus Listed</li> </ul>
			<p>PANEL CUTOUT</p>

**COMPACT FLUORESCENT LAMP ACCESSORIES**

**LCP-2G11-1-SI Vertical Lamp Support Snap-In Mount**

		<p><b>2G11</b></p>	<ul style="list-style-type: none"> <li>- For use with 2G11 lamp</li> <li>- Made from high heat thermoplastic</li> <li>- Assures correct gap height between lamp and panel</li> </ul> <ul style="list-style-type: none"> <li>- Clips onto the outside of lamp for secure positioning of the lamp</li> <li>- Snaps into single hole in panel</li> </ul>
			<p>PANEL CUTOUT</p> <p>0.22" dia. (5.5)</p>

**LCP-2G11-2-SI Horizontal Lamp Support Snap-In Mount Plastic Low Profile**

		<p><b>2G11</b></p>	<ul style="list-style-type: none"> <li>- For use with 2G11 lamp</li> <li>- Made from high heat thermoplastic</li> <li>- Assures correct gap height between lamp and panel</li> </ul> <ul style="list-style-type: none"> <li>- Clips onto the outside of lamp for secure positioning of the lamp</li> <li>- Snaps into single hole in panel</li> </ul>
			<p>PANEL CUTOUT</p> <p>0.22" dia. (5.5)</p>

FOR MORE INFORMATION PLEASE CALL 1-800-661-9610 (HEAD OFFICE) 1-888-762-5384 (USA)

PLEASE CONSULT THE FACTORY FOR MORE PRODUCTS AND CUSTOMIZATION.  
PRODUCT DETAILS AND SPECIFICATIONS ARE SUBJECT TO CHANGE WITHOUT NOTICE.



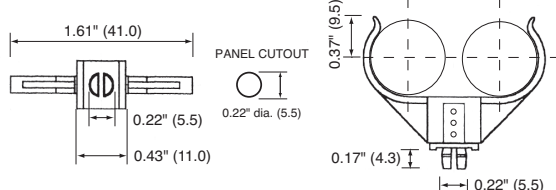


# COMPACT FLUORESCENT LAMPHOLDERS



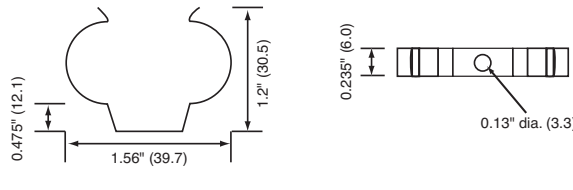
D14

## COMPACT FLUORESCENT LAMP ACCESSORIES



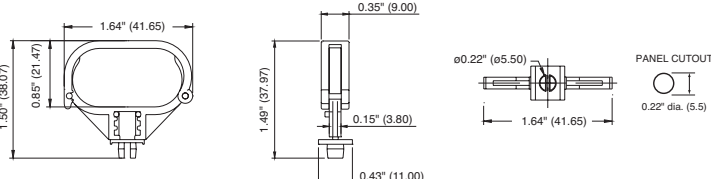
### LCP-2G11-ADJ-SI Snap-In Adjustable Lamp Support Clip

 <p><b>2G11</b></p>	<ul style="list-style-type: none"> <li>- Lamp support clip for 2G11 base lamp</li> <li>- Lamp bracket is made from UV stabilized clear polycarbonate</li> <li>- Foot is made from white polycarbonate</li> <li>- The clip features 3 height adjustments</li> <li>- Push fits into 0.22" (5.5mm) hole</li> <li>- For panel thickness up to 0.040" or 1 mm</li> </ul>
	


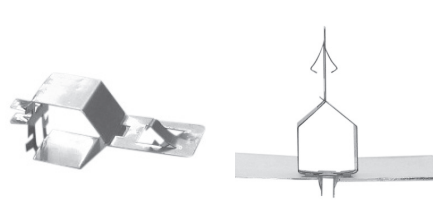
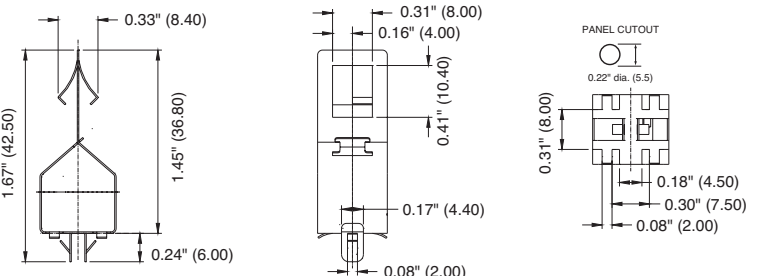
### LCM-2G11-HP-SC Metal Lamp Support Screw Mount

 <p><b>2G11</b></p>	<ul style="list-style-type: none"> <li>- Lamp support clip for 2G11 base lamps</li> <li>- Made from corrosion resistant spring steel for long service life</li> <li>- Single height stand off of 0.475" (12.1mm)</li> <li>- Screw mounts using one 0.130" (3.3mm) hole in panel</li> </ul>
	

### LCP-2G11-ADJ-SI COVER Snap-In Adjustable Lamp Support Clip with Cover

 <p><b>2G11</b></p>	<ul style="list-style-type: none"> <li>- Lamp support clip for 2G11 base lamps</li> <li>- Lamp bracket is made from UV stabilized clear polycarbonate</li> <li>- Foot is made from white polycarbonate</li> <li>- The clip features 3 height adjustments</li> <li>- Push fits into 0.22" (5.5mm) hole</li> <li>- For panel thickness up to 0.040" or 1 mm</li> <li>- PC cover locks over lamp for added security and protection. To remove cover, simply pull up over locking clip.</li> </ul>
	

### LCM-2G11-1-SI Lamp Support Snap-In Mount

 <p><b>2G11</b></p>	<ul style="list-style-type: none"> <li>- For use with 2G11 lamp</li> <li>- Stainless Steel</li> <li>- Assures correct gap height between lamp and panel</li> <li>- Locking wing design fits in between lamp fingers and assures good grip on lamp</li> <li>- Snaps into one round or square 0.220"(5.5mm) hole in panel</li> </ul>
	

COMPACT FLUORESCENT

# COMPACT FLUORESCENT LAMPHOLDERS

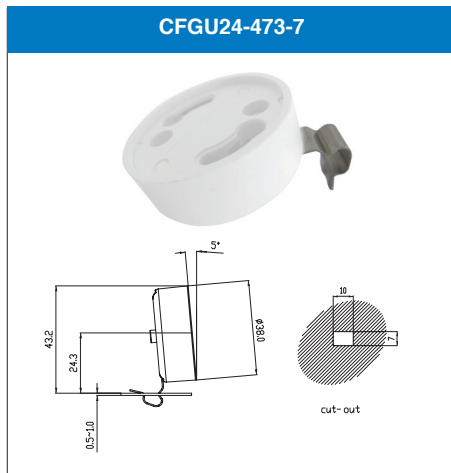
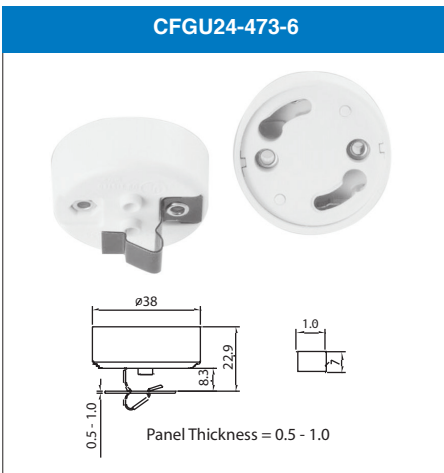
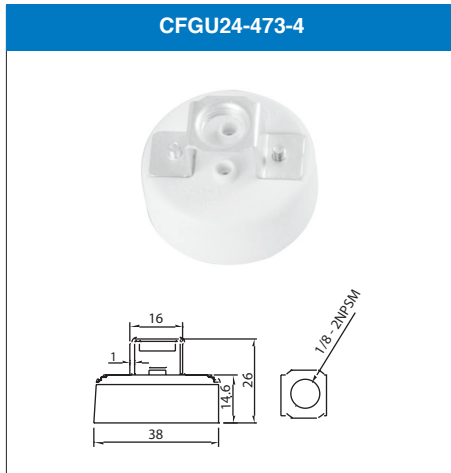
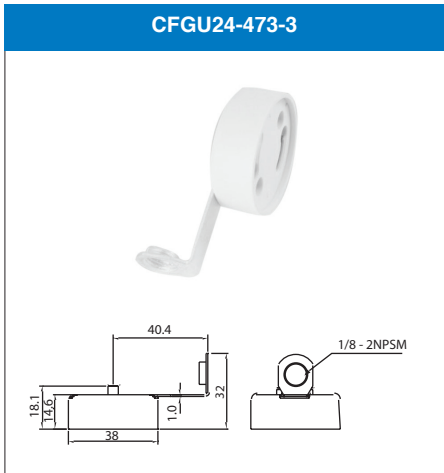
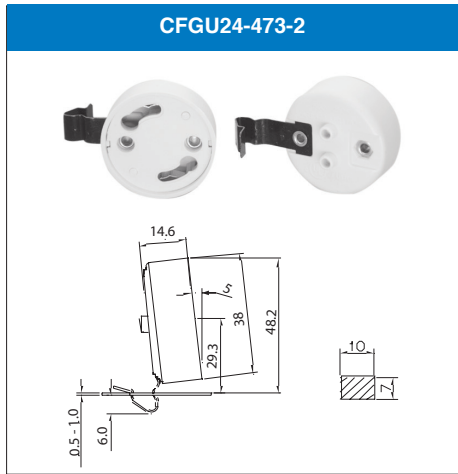
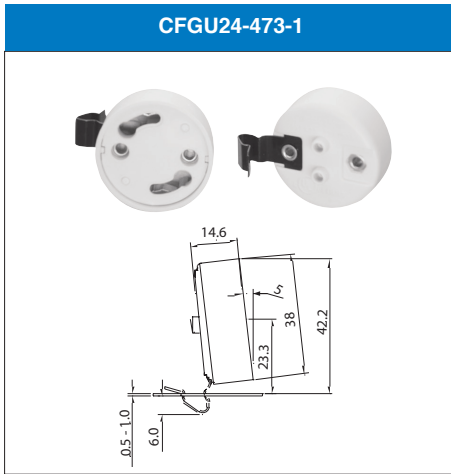
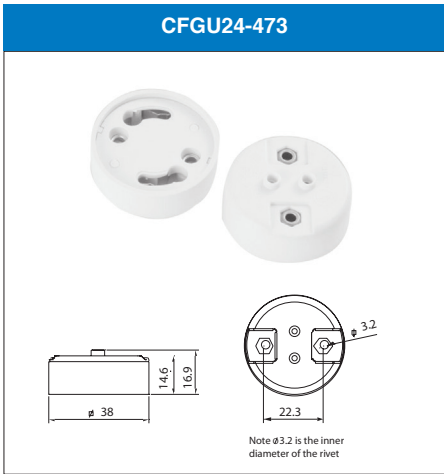
## GU-24 COMPACT FLUORESCENT LAMPHOLDERS

D15

### CFGU24-473 GU-24 Lampholder, Push-In Wire Terminals

- Constructed of thermoplastic body material, UL947-0 flammability rating.
- GU-24 bi-pin twist-lock configuration holds lamp or ballast in place.
- Quickwire terminals accept 18 AWG solid or bonded copper wire, stripped 3/8"
- Prewired lead types have 9" UL 1015 105C, partial stripped 1/2" but are available with other lead lengths.
- Ideal for commercial, residential applications including wall sconces and portable lamps.
- Wires from the back of the lampholder.
- Push in wire terminal models are rated 250W 600V
- Prewired lead type are rated 660W 600V.
- c UL us listed.

COMPACT FLUORESCENT



FOR MORE INFORMATION PLEASE CALL 1-800-661-9610 (HEAD OFFICE) 1-888-762-5384 (USA)

PLEASE CONSULT THE FACTORY FOR MORE PRODUCTS AND CUSTOMIZATION.  
PRODUCT DETAILS AND SPECIFICATIONS ARE SUBJECT TO CHANGE WITHOUT NOTICE.



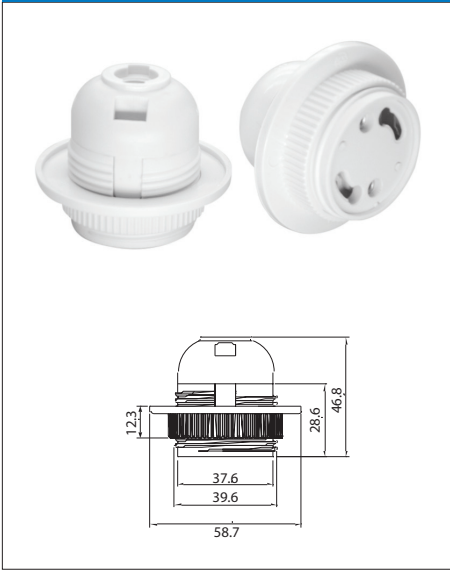
GU-24 COMPACT FLUORESCENT LAMPHOLDERS

CFGU24-475D GU-24 Lampholder, Outer Threaded Body, Push-in Wire Terminals

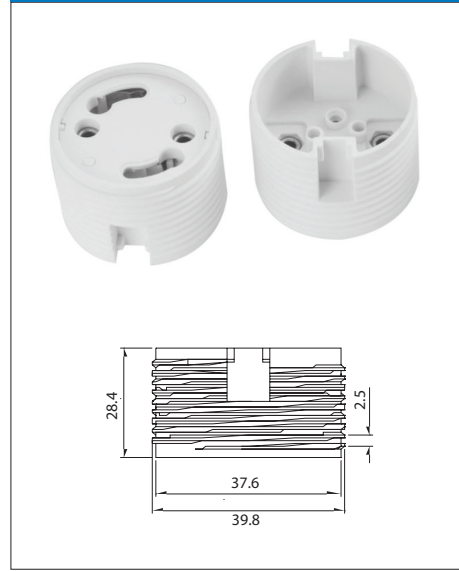
- Constructed of thermoplastic body material, UL947-0 flammability rating.
- GU-24 bi-pin twist-lock configuration holds lamp or ballast in place.
- Quickwire terminals accept 18 AWG solid or bonded copper wire, stripped 3/8"
- Prewired lead types have 9" UL 1015 105C, partial stripped 1/2" but are available with other lead lengths.
- Ideal for commercial, residential applications including wall sconces and portable lamps.
- Wires from the back of the lampholder.
- Push in wire terminal models are rated 250W 600V
- Prewired lead type are rated 660W 600V.
- c UL us listed.

COMPACT FLUORESCENT

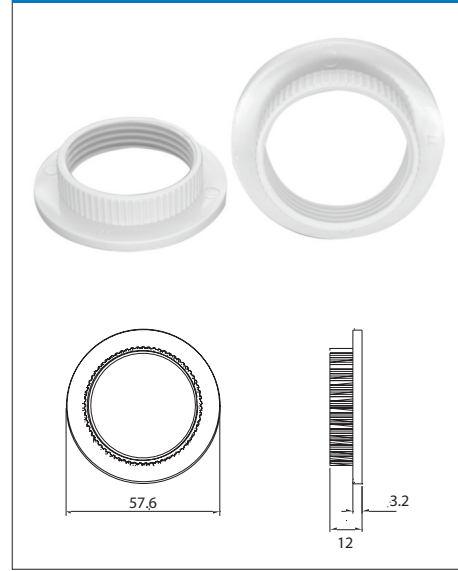
CFGU24-475 CAP AND RING ASSEMBLED



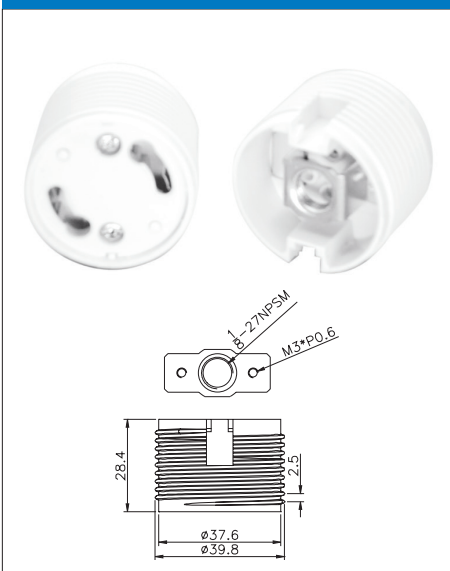
CFGU24-475D



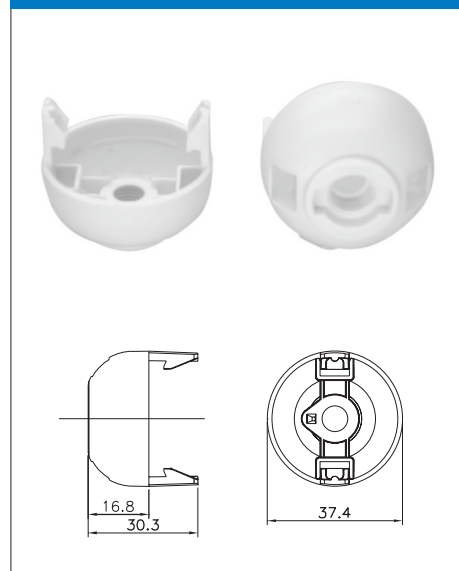
CFGU24-475-RING



CFGU24-475D1



CFGU24-475-1/8IP-CAP



## SECTION E

### LINEAR FLUORESCENT LAMP HOLDERS

Fluorescent Lamp Shapes and Bases	<b>E2</b>
T5 (G5) Miniature Bi Pin	<b>E3 - E8</b>
T8/T10/T12 (G13) Medium Bi Pin	<b>E9 - E23</b>
Turret Lampholders	<b>E22</b>
Circline (G10Q) Lampholders	<b>E24</b>
Fluorescent Starters, Starter Bases & Accessories	<b>E25 - E28</b>

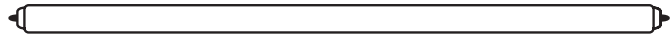


# LINEAR FLUORESCENT LAMP HOLDERS

FLUORESCENT LAMP SHAPES



T-5 MINIATURE BIPIN



T-6 SINGLE PIN SLIMLINE



T-8 MEDIUM BIPIN



T-8 SINGLE PIN SLIMLINE



T-10 MEDIUM BIPIN



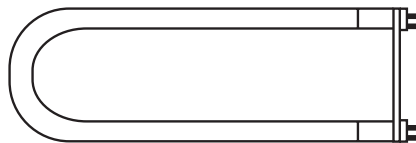
T-12 MEDIUM BIPIN



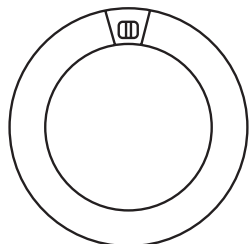
T-12 SINGLE PIN SLIMLINE



T-12 RECESSED DOUBLE CONTACT



T-8/T-12 MEDIUM BIPIN U-BENT

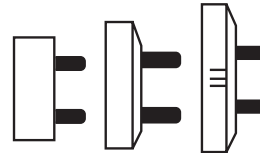


T-9/T-10 4-PIN CIRCLINE

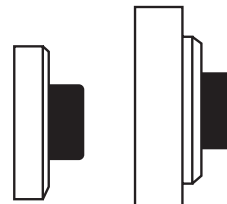
FLUORESCENT LAMP BASE



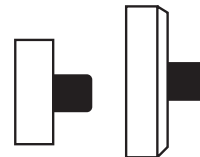
T-5 MINIATURE BIPIN (G5)



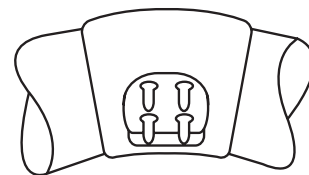
T-8, T-10, T-12 MEDIUM BIPIN (G13)



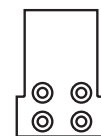
T-8, T-10, T-12 RECESSED DOUBLE CONTACT (R17d)



T-6, T-8, T-12 SLIMLINE SINGLE PIN (FA8)



4-PIN CIRCLINE (G10Q)






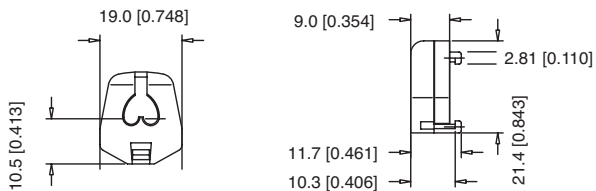
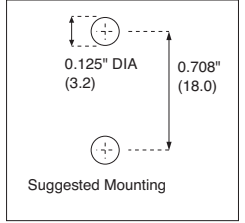
2D 4-PIN (2G13)






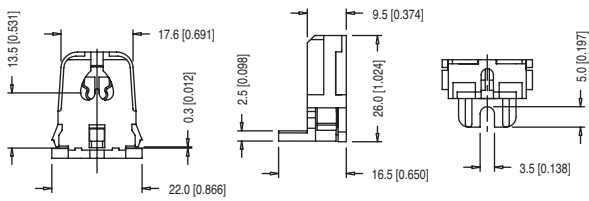
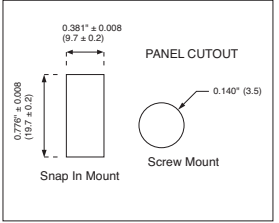
**FLUORESCENT SOCKET MINIATURE BI-PIN T5 LAMPHOLDERS**

E3

**FL261 T-5 Snap-In Mount**

 <b>T-5</b>	 <b>G5</b>	<ul style="list-style-type: none"> <li>- White polycarbonate body, rated 110°C</li> <li>- Double edge contacts hold lamp securely</li> <li>- Ideal for mirror cases and display lighting</li> <li>- Quick connect push-in wire terminals for 18 AWG solid, Twist &amp; Tin, or solder dipped wire, stripped 5/16"</li> </ul>	<ul style="list-style-type: none"> <li>- Snap-in mount</li> <li>- Rated 120W, 600V</li> <li>- cCSAus Certified / cULus Listed</li> </ul>
			

**FL265 T-5 Snap-In / Screw Mount / FL265-S Shunted Version**

 <b>T-5</b>	 <b>G5</b>	<ul style="list-style-type: none"> <li>- White polycarbonate body, rated 110°C</li> <li>- Double edge contacts hold lamp securely</li> <li>- Ideal for mirror cases and display lighting</li> <li>- Quick connect push-in wire terminals for 18 AWG solid, Twist &amp; Tin, or solder dipped wire, stripped 5/16"</li> </ul>	<ul style="list-style-type: none"> <li>- Screw mount or snap-in mount into a 0.020" – 0.040" (0.5 mm – 1 mm) panel thickness</li> <li>- Rated 120W, 600V</li> <li>- cCSAus Certified / cULus Listed</li> </ul>
			

\*ADD suffix "S" to part number for shunted version

LINEAR FLUORESCENT LAMPHOLDERS

T-5

FLUORESCENT SOCKET MINIATURE BI-PIN T5 LAMPHOLDERS

FL621 SERIES T-5 Tall Profile, Rotary Lock, Snap-in Screw Mount



T-5



G5

- White polycarbonate body, rated 110°C
- Locking rotor design for maximum lamp retention
- Snap-in mount or screw mount to panel
- Quick connect push-in wire terminals for 18 AWG solid wire, stripped 5/16"
- Twin wireways for easy harness wiring

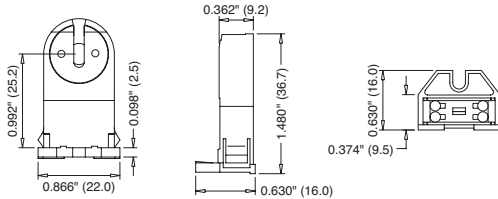
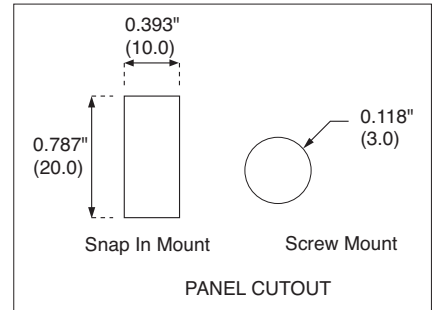
- Wires from bottom of lampholder
- Snap-in mounts into a 0.023" – 0.040" (0.6 mm to 1.0 mm) panel thickness
- Rated 120W, 600V; suitable for HO lamps
- cCSAus Certified / cULus Listed



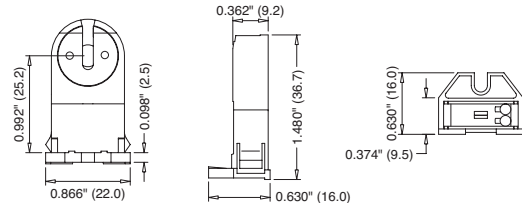
FL621



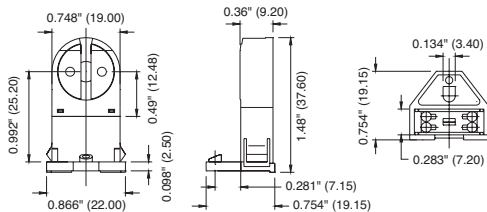
FL621-N



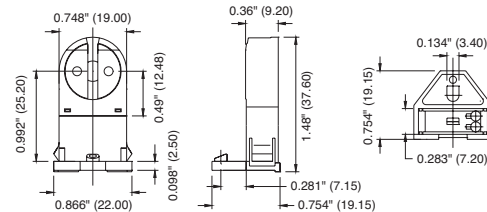
FL621 Snap-in Screw Mount



FL621-S Snap-in Screw Mount, Shunted



FL621-N Snap-in Screw Mount, Locating Nib



FL621-SN Snap-in Screw Mount, Shunted, Locating Nib

FL622 SERIES T-5 Medium / Short Profile, Rotary Lock, Snap-in, Screw Mount - Continued on next page



T-5



G5

- White polycarbonate body, rated 110°C
- Locking rotor design for maximum lamp retention
- Snap-in mount or screw mount to panel
- Quick connect push-in wire terminals for 18 AWG solid wire, stripped 5/16"
- Twin wireways for easy harness wiring

- Wires from bottom of lampholder
- Snap-in mounts into a 0.023" – 0.040" (0.6 mm to 1.0 mm) panel thickness
- Rated 120W, 600V; suitable for HO lamps
- cCSAus Certified / cULus Listed



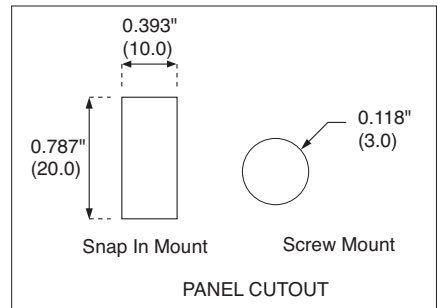
FL622



FL622-L



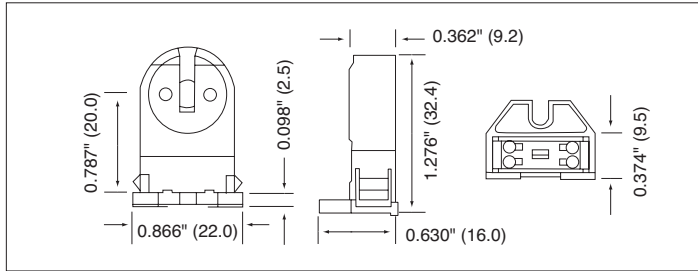
FL622-N



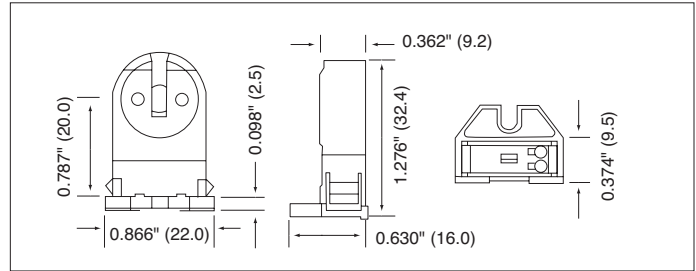
**FLUORESCENT SOCKET MINIATURE BI-PIN T5 LAMPHOLDERS**

E5

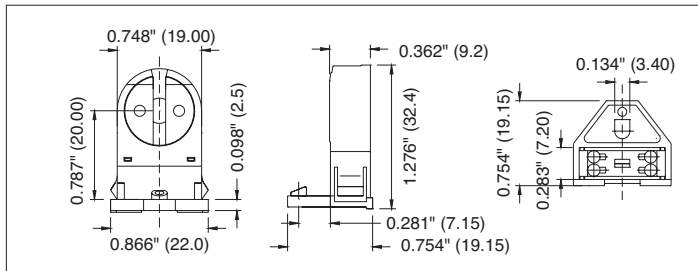
**FL622 SERIES T-5 Medium / Short Profile, Rotary Lock, Snap-in, Screw Mount - Continued**



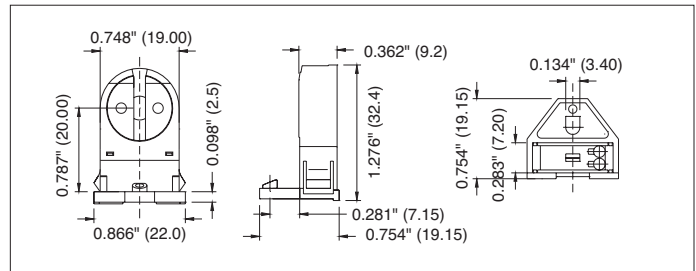
**FL622** Snap-in Screw Mount



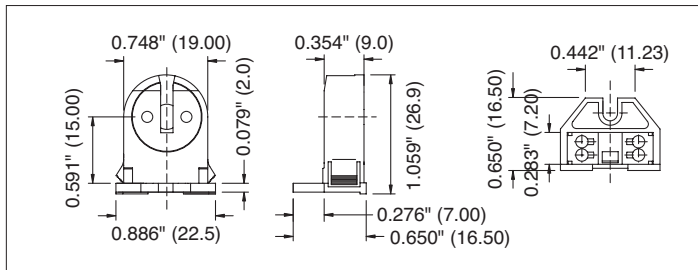
**FL622-S** Snap-in Screw Mount, Shunted



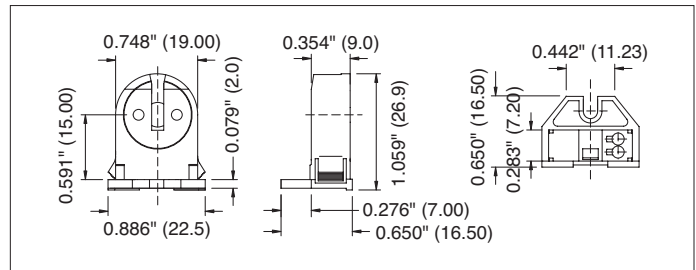
**FL622-N** Snap-in Screw Mount, Locating Nib



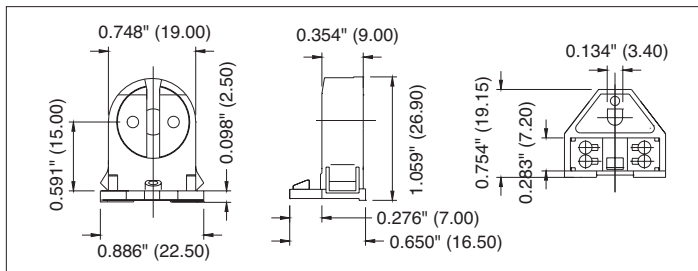
**FL622-SN** Snap-in Screw Mount, Shunted, Locating Nib



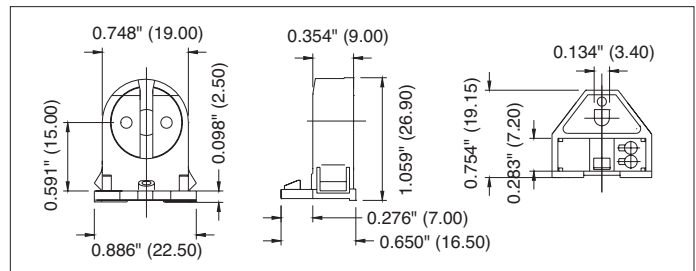
**FL622-L** Snap-in Screw Mount, Short Body, Low Profile



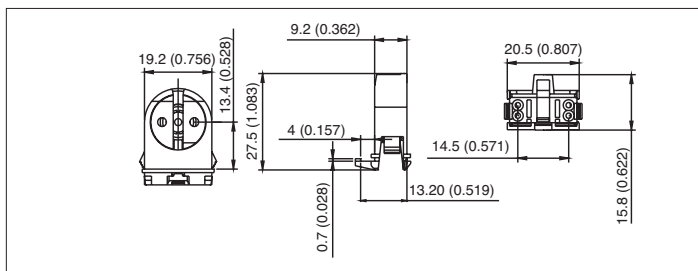
**FL622-LS** Snap-in Screw Mount, Short Body, Shunted, Low Profile



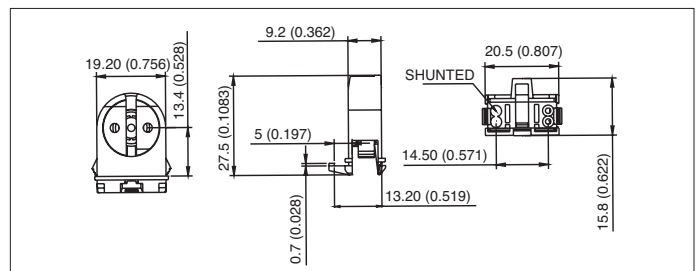
**FL622-LN** Snap-in Screw Mount, Short Body, Locating Nib



**FL622-LSN** Snap-in Screw Mount, Short Body, Shunted, Locating Nib



**FL622L-BSI** T5 Medium, Short Profile, Rotary Lock, Bottom Snap-in



**FL622L-BSI-S** T5 Medium, Short Profile, Rotary Lock, Bottom Snap-in, Shunted

LINEAR FLUORESCENT LAMPHOLDERS T-5




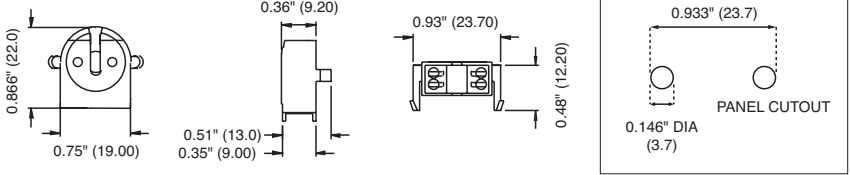
FOR MORE INFORMATION PLEASE CALL 1-800-661-9610 (HEAD OFFICE) 1-888-762-5384 (USA)

PLEASE CONSULT THE FACTORY FOR MORE PRODUCTS AND CUSTOMIZATION. PRODUCT DETAILS AND SPECIFICATIONS ARE SUBJECT TO CHANGE WITHOUT NOTICE.




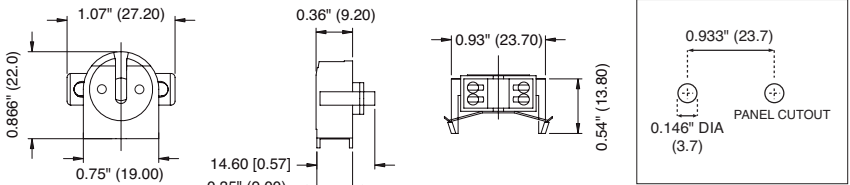


FLUORESCENT SOCKET MINIATURE BI-PIN T5 LAMPHOLDERS




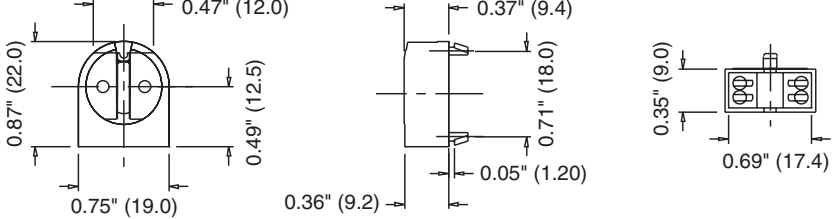
FL641 Rotary Lock, Rear Snap-in Mount / FL641-S Shunted Version

 <b>T-5</b>	 <b>G5</b>	<ul style="list-style-type: none"> <li>- White polycarbonate body, rated 110°C</li> <li>- Locking rotor design for maximum lamp retention</li> <li>- Twin wireways for easy harness wiring.</li> <li>- Wires from bottom of lampholder</li> <li>- Quick connect push-in wire terminals for 18 AWG solid, Twist &amp; Tin, or solder dipped wire, stripped 5/16"</li> </ul>	<ul style="list-style-type: none"> <li>- Horizontal mounting pins snap in to panel for fast and easy installation</li> <li>- For 0.023" – 0.040" (0.6 mm to 1.0 mm)</li> <li>- Rated 120W, 600V; suitable for HO lamps</li> <li>- cCSAus Certified / cULus Listed</li> </ul>
			

FL641-SP Rotary Lock, Rear Snap-in Mount with Spring Plate / FL641-S-SP Shunted Version

 <b>T-5</b>	 <b>G5</b>	<ul style="list-style-type: none"> <li>- White polycarbonate body, rated 110°C</li> <li>- Locking rotor design for maximum lamp retention</li> <li>- Twin wireways for easy harness wiring.</li> <li>- Spring plate allows for 0.08" (2 mm) lamp length tolerance</li> <li>- Wires from bottom of lampholder</li> </ul>	<ul style="list-style-type: none"> <li>- Quick connect push-in wire terminals for 18 AWG solid, Twist &amp; Tin, or solder dipped wire, stripped 5/16"</li> <li>- Horizontal mounting pins snap in to panel for fast and easy installation</li> <li>- For 0.023" – 0.040" (0.6 mm to 1.0 mm)</li> <li>- Rated 120W, 600V; suitable for HO lamps</li> <li>- cCSAus Certified / cULus Listed</li> </ul>
			

FL641-V Rotary Lock, Vertical Snap-in Mount / FL641-V-S Shunted Version

 <b>T-5</b>	 <b>G5</b>	<ul style="list-style-type: none"> <li>- White polycarbonate body, rated 110°C</li> <li>- Locking rotor design for maximum lamp retention</li> <li>- Twin wireways for easy harness wiring.</li> <li>- Wires from bottom of lampholder</li> <li>- Quick connect push-in wire terminals for 18 AWG solid, Twist &amp; Tin, or solder dipped wire, stripped 5/16"</li> </ul>	<ul style="list-style-type: none"> <li>- Vertical mounting pins snap in to panel for fast and easy installation</li> <li>- For 0.023" – 0.040" (0.6 mm to 1.0 mm)</li> <li>- Rated 120W, 600V; suitable for HO lamps</li> <li>- cCSAus Certified / cULus Listed</li> </ul>
			

LINEAR FLUORESCENT LAMPHOLDERS

**FLUORESCENT SOCKET MINIATURE BI-PIN T5 LAMPHOLDERS**

E7

**FL641-VSP** Rotary Lock, Vertical Snap-in Mount with Spring Plate / **FL641-VSPS** Shunted Version

<p>T-5</p>	<p>G5</p>	<ul style="list-style-type: none"> <li>- White polycarbonate body, rated 110°C</li> <li>- Locking rotor design for maximum lamp retention</li> <li>- Twin wireways for easy harness wiring.</li> <li>- Spring plate allows for 0.08" (2 mm) lamp length tolerance</li> <li>- Wires from bottom of lampholder</li> </ul>	<ul style="list-style-type: none"> <li>- Quick connect push-in wire terminals for 18 AWG solid, Twist &amp; Tin, or solder dipped wire, stripped 5/16"</li> <li>- Vertical mounting pins</li> <li>- For 0.023" – 0.040" (0.6 mm to 1.0 mm)</li> <li>- Rated 75W, 600V; suitable for HO lamps</li> <li>- cCSAus Certified / cULus Listed</li> </ul>
		<p>Dimensions: 0.87" (22.0), 0.47" (12.0), 0.75" (19.0), 0.49" (12.5), 0.36" (9.2), 0.37" (9.4), 0.71" (18.0), 0.11" (2.8), 0.32" (8.0), 0.69" (17.4), 0.35" (9.0)</p>	

**FLG5HO-PH** T5 Plunger End Lampholder / **FLG5HO-FH** T5 Fixed End Lampholder

<p>T-5</p>	<p>G5</p>	<ul style="list-style-type: none"> <li>- White polycarbonate body</li> <li>- For regular and HO T5 lamps</li> <li>- Flexible snap-in wings for quick, easy insertion into panel</li> <li>- Quick connect push-in wire terminals accept 18 AWG solid or solder dipped leads, stripped 3/8</li> </ul>	<ul style="list-style-type: none"> <li>- Horizontal Bi-Pin Contact</li> <li>- Quick connect push-in wire terminals for 18 AWG solid, Twist &amp; Tin, or solder dipped wire, stripped 5/16"</li> <li>- Two wire ports per terminal to speed harness wiring</li> <li>- Rated 120W, 600V; suitable for HO lamps</li> <li>- cCSAus Certified / cULus Listed</li> </ul>
		<p>Dimensions: #0.38 [24.99], 0.09 [2.31], 0.59 [15.01], 0.08 [2.01], 0.50 [12.70], 0.10 [2.49], #0.80 [20.30], 0.54 [13.69], 0.31 [7.90], 0.44 [11.20], 0.19 [4.70], 0.75 [19.05]</p>	

LINEAR FLUORESCENT LAMPHOLDERS

T-5

FOR MORE INFORMATION PLEASE CALL 1-800-661-9610 (HEAD OFFICE) 1-888-762-5384 (USA)

PLEASE CONSULT THE FACTORY FOR MORE PRODUCTS AND CUSTOMIZATION. PRODUCT DETAILS AND SPECIFICATIONS ARE SUBJECT TO CHANGE WITHOUT NOTICE.





FLUORESCENT SOCKET MINIATURE BI-PIN T5 LAMPHOLDERS

FL020 SERIES



T-5



G5

- White polycarbonate body, rated 110°C
- Double edge contacts hold lamp securely
- Ideal for mirror cases and display lighting
- Two wire ports per terminal for easy harness wiring
- Models FL020, FL020-T; FL021, FL021-T; FL022, FL022-T have 9" 18 AWG TEWN solid wires attached, stripped 1/2"
- Models FL025, FL025-T; FL026, FL026-T; and FL027, FL027-T have Quick connect

- push-in wire terminals for 18 AWG solid, Twist & Tin, or solder dipped wire, stripped at 5/16"
- Various brackets and mounting holes are available (see drawings)
- "T" in part number stands for tapped bracket 6/32" TAP
- Rated 120W, 600V
- cCSAus Certified / cULus Listed



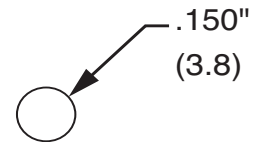
FL020-T



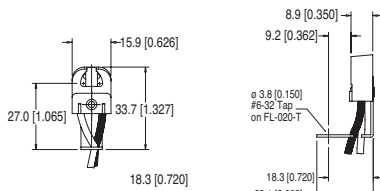
FL022



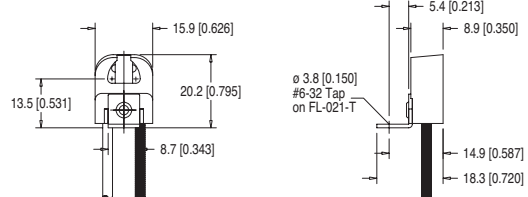
FL026-T



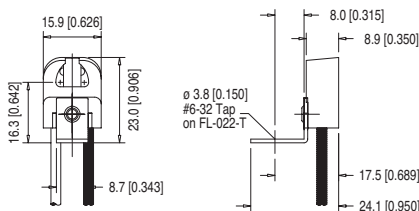
MOUNTING HOLE



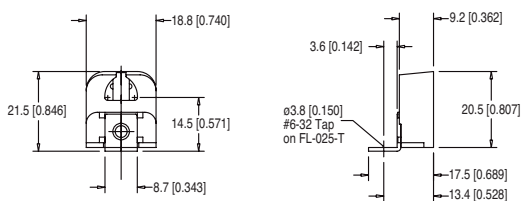
FL020 / FL020-T



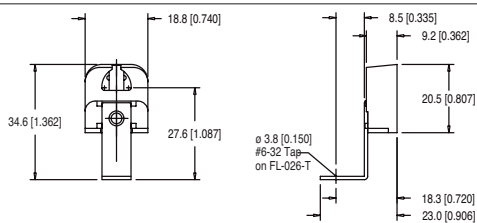
FL021 / FL021-T



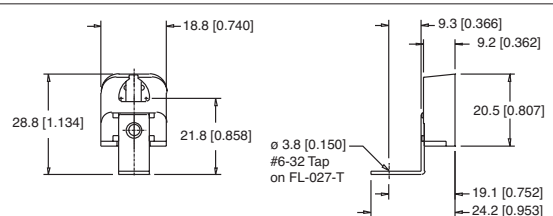
FL022 / FL022-T



FL025 / FL025-T



FL026 / FL026-T



FL027 / FL027-T

**FLUORESCENT LAMPHOLDERS MEDIUM BI-PIN G13 FOR T-8 / T-12 LAMPS**

E9

**FL005 SERIES** Low Profile Turn Type Lampholders

<p>T-8</p> <p>T-12</p>	<p>G13</p>	<ul style="list-style-type: none"> <li>- White polycarbonate body, rated 110°C</li> <li>- Turn lock type, low profile</li> <li>- Quick connect push-in wire terminals for 18 AWG solid wire 5/16"</li> <li>- Two wire ports per terminal for easy harness wiring</li> <li>- For a 0.023" - 0.040" (0.6 mm - 1.0 mm) panel thickness</li> </ul>	<ul style="list-style-type: none"> <li>- Available shunted for use with instant start electronic ballasts; saves time and makes wiring easier</li> <li>- Many models to choose from</li> <li>- Rated 660W, 600V, suitable for all new HO lamps</li> <li>- cCSAus Certified / cULus Listed</li> </ul>
------------------------	------------	--	--

<p>FL005</p>	<p>FL005-WN</p>	<p>FL005-WS</p>	<p>PANEL CUTOUTS</p> <p>Standard: 1.01" (25.65)</p> <p>Push-In: 1.01" (25.65)</p>	<p><b>FL005*</b> Solid Shoulder, Standard Profile</p>
--------------	-----------------	-----------------	---	---

**FL005-C\*Δ** Solid Shoulder with Captive Nut

**FL005-S\*** Solid Shoulder Shunted

**FL005-SC\*** Shunted with Captive Nut

**FL005-W\*** Flexible Snap-in Shoulder

**FL005-WC\*Δ** Flexible Snap-in Shoulder, Captive Nut

**FL005-WN\*** Snap-in Shoulder with Locating nib

**FL005-WS\*** Flexible Snap-in Shoulder, Shunted

**FL005-WSC\*** Flexible Snap-in Shoulder, Shunted Captive Nut

\* Add "-S" after product code for internal shunted version      Δ Screws are packed separately.  
 Also available assembled, add Suffix "-A" after "C" in part number.

FOR MORE INFORMATION PLEASE CALL 1-800-661-9610 (HEAD OFFICE) 1-888-762-5384 (USA)

PLEASE CONSULT THE FACTORY FOR MORE PRODUCTS AND CUSTOMIZATION.  
 PRODUCT DETAILS AND SPECIFICATIONS ARE SUBJECT TO CHANGE WITHOUT NOTICE.



LINEAR FLUORESCENT LAMPHOLDERS

T-8  
T-12

FLUORESCENT LAMPHOLDERS MEDIUM BI-PIN G13 FOR T-8 / T-12 LAMPS

FL006-L SERIES Low Profile

<p>T-8</p> <p>T-12</p>	<p>G13</p>	<ul style="list-style-type: none"> <li>- White polycarbonate body, rated 110°C</li> <li>- Turn lock type, low profile</li> <li>- Quick connect push-in wire terminals for 18 AWG solid wire 5/16"</li> <li>- Two wire ports per terminal for easy harness wiring</li> <li>- For a 0.023" - 0.040" (0.6 mm - 1.0 mm) panel thickness</li> </ul>	<ul style="list-style-type: none"> <li>- Available shunted for use with instant start electronic ballasts; saves time and makes wiring easier</li> <li>- Many models to choose from</li> <li>- Rated 660W, 600V, suitable for all new HO lamps</li> <li>- cCSAus Certified / cULus Listed</li> <li>- Circle I s5487 for shunted version(s)</li> </ul>
------------------------	------------	--	---

<p>Standard      Push-In</p> <p>PANEL CUTOUTS</p>	<p>FL006-L* Δ Snap-in or Slot on Mount, 18 or ga. Panel</p>
<p>* Add "-S" after product code for internal shunted version                  Δ Add "-C" after product code for captive nut on models with nut slot</p>	
<p>FL006-LW* Slot on or Snap in winged</p>	<p>FL006-LWS* Slot on or snap in winged, shunted</p>

FL006-L SERIES Low Profile

<p>FL006-LSI*</p>	<p>FL006-LSP*</p>	<p>PANEL CUTOUTS      Standard      Push-In</p>	<p>* Add "-S" after product code for internal shunted version</p> <p>Δ Add "-C" after product code for captive nut on models with nut slot</p>
<p>FL006-LSI* Rear Snap-in, Horizontal Pins</p>	<p>FL006-LSP* Rear snap-in, Horizontal Pin, with Spring Plate</p>		

\* Add "-S" after product code for internal shunted version  
 Δ Screws are packed separately. Also available assembled, add Suffix "-A" after "C" in part number.

**FLUORESCENT LAMPHOLDERS MEDIUM BI-PIN G13 FOR T-8 / T-12 LAMPS**

**FL006-L SERIES**

<p>T-8</p> <p>T-12</p> <p>G13</p>	<ul style="list-style-type: none"> <li>- White polycarbonate body, rated 110°C</li> <li>- Turn lock type, low profile</li> <li>- Quick connect push-in wire terminals for 18 AWG solid wire 5/16"</li> <li>- Two wire ports per terminal for easy harness wiring</li> <li>- For a 0.023" - 0.040" (0.6 mm - 1.0 mm) panel thickness</li> <li>- Available shunted for use with instant start electronic ballasts; saves time and makes wiring easier</li> <li>- Many models to choose from</li> <li>- Rated 660W, 600V, suitable for all new HO lamps</li> <li>- cCSAus Certified / cULus Listed</li> <li>- Circle 1 s5487 for shunted version(s)</li> </ul>
-----------------------------------	---

**FL006-L SERIES Low Profile Continued**

<p>FL006-LB* Δ</p> <p>FL006-LBX* Δ</p>	<p>PANEL CUTOUTS</p> <p>Standard</p> <p>Push-In</p>	<p>* Add "-S" after product code for internal shunted version</p> <p>Δ Add "-C" after product code for captive nut on models with nut slot</p>
<p>FL006-LB* Δ Slot on Mount, 18 ga. Panel</p> <p>FL006-LBX* Δ No Shoulders, Nut Slot</p>		

**FL006 SERIES Tall Profile T-8 / T-12 Lampholders**

<p>FL006* Δ</p> <p>FL006-A</p>	<p>PANEL CUTOUTS</p> <p>Standard</p> <p>Push-In</p>	<p>* Add "-S" after product code for internal shunted version</p> <p>Δ Add "-C" after product code for captive nut on models with nut slot</p>
<p>FL006* Δ Solid Shoulder, Nut Slot, Slot Mount, 18 ga. Panel</p> <p>FL006-A Flush Sides, Mount Using Self Threading Screw</p>		

LINEAR FLUORESCENT LAMPHOLDERS

T-8  
T-12

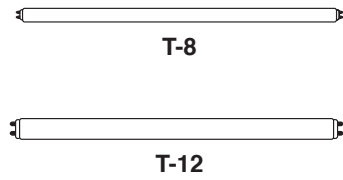
FOR MORE INFORMATION PLEASE CALL 1-800-661-9610 (HEAD OFFICE) 1-888-762-5384 (USA)

PLEASE CONSULT THE FACTORY FOR MORE PRODUCTS AND CUSTOMIZATION. PRODUCT DETAILS AND SPECIFICATIONS ARE SUBJECT TO CHANGE WITHOUT NOTICE.



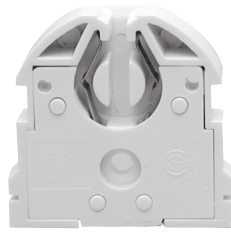
FLUORESCENT LAMPHOLDERS MEDIUM BI-PIN G13 FOR T-8 / T-12 LAMPS

FL007 SERIES Butt-on Lampholders



- White polycarbonate body, rated 110°C
- Turn lock type, low profile
- Quick connect push-in wire terminals for 18 AWG solid wire 5/16"
- Two wire ports per terminal for easy harness wiring
- Available with centre hole for butt-on mounting, side slots, mounting grooves or mounting brackets

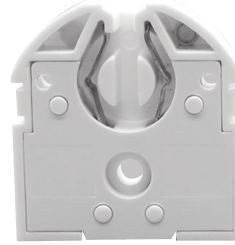
- Available shunted for use with instant start electronic ballasts; saves time and makes wiring easier
- Many models to choose from
- Rated 660W, 600V, suitable for all new HO lamps
- cCSAus Certified / cULus Listed



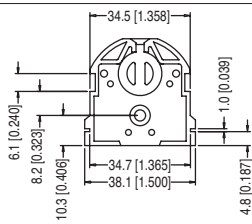
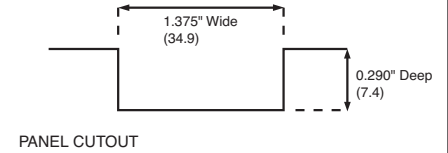
FL007



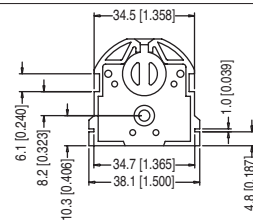
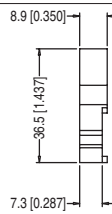
FL007B-TC



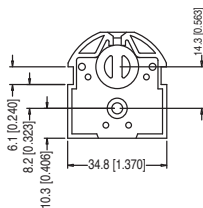
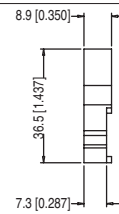
FL007A



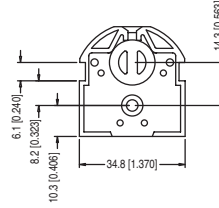
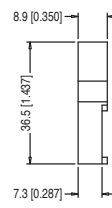
FL007 Butt-on Side Slots



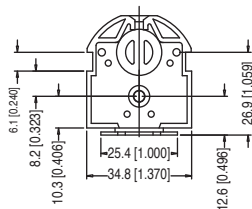
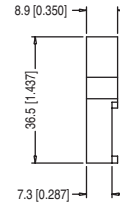
FL007-S Butt-on, Side Slots, Shunted



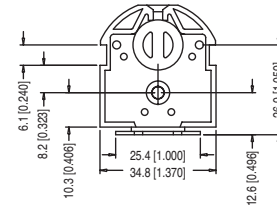
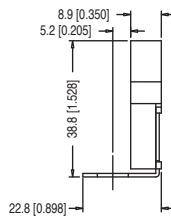
FL007-A Butt-on Centre Hole, Screw Mount



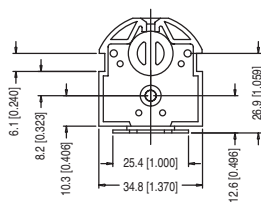
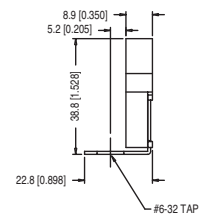
FL007-A-S Butt-on Shunted, Centre Hole, Screw Mount



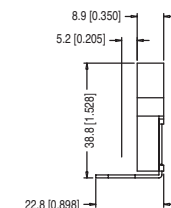
FL007-B Butt-on Mounting Bracket, 0.157" Clearance Hole



FL007-B-T\* Butt-on Mounting Bracket, #6/32 Hole



FL007B-TC Butt-on Mounting Bracket, with Captive Nut and Screw



\* Add "-S" after product code for internal shunted version



**FLUORESCENT LAMPHOLDERS MEDIUM BI-PIN G13 FOR T-8 / T-12 LAMPS**

E13

**FL010 SERIES**

<p><b>T-8</b></p> <p><b>T-12</b></p> <p><b>G13</b></p>	<ul style="list-style-type: none"> <li>- White polycarbonate body, rated 110°C</li> <li>- Straight-in and "U" lamp applications, self aligning for "U" shaped lamps</li> <li>- Quick connect push-in wire terminals for 18 AWG solid wire 5/16"</li> <li>- Two wire ports per terminal for easy harness wiring; double edge contacts</li> <li>- For 0.23" - 0.040" (0.6 mm - 1.0 mm) panel thickness</li> </ul> <ul style="list-style-type: none"> <li>- Available shunted for use with instant start electronic ballasts; saves time and makes wiring easier</li> <li>- Many models to choose from</li> <li>- Rated 660W, 600V, suitable for all new HO lamps</li> <li>- cCSAus Certified / cULus Listed</li> <li>- Circle I s5487 for shunted version(s)</li> </ul>
--	---

<p><b>FL010</b></p>	<p><b>FL010-W</b></p>	<p><b>FL010-WS</b></p>	<p>PANEL CUTOUTS</p> <p>38" (9.65)</p> <p>1.01" (25.65)</p> <p>0.312" (7.93)</p> <p>0.187" (4.75)</p> <p>Captive Nut</p> <p>Standard</p> <p>Push-In</p> <p>Locating Nib Hole (if required)</p>
---------------------	-----------------------	------------------------	--

**FL010 Solid Shoulder Low Profile**

Dimensions: 25.0 [0.984], 7.8 [0.307], 22.1 [0.870], 1.0 [0.039], 25.0 [0.984], 31.7 [1.248], 1.4 [0.055], 9.4 [0.370], 40.5 [1.594], 18.3 [0.720]

**FL010-W Flexible Snap-in Shoulder**

Dimensions: 24.5 [0.965], 7.8 [0.307], 22.1 [0.870], 0.4 [0.015], 25.0 [0.984], 31.7 [1.248], 9.4 [0.370], 18.3 [0.720], 40.5 [1.594]

**FL010-C Solid Shoulder Captive Nut**

Dimensions: 25.0 [0.984], 7.8 [0.307], 22.1 [0.870], 1.0 [0.039], 25.0 [0.984], 31.7 [1.248], 1.4 [0.055], 9.4 [0.370], 40.5 [1.594], 18.3 [0.720]

**FL010-WC Flexible Snap-in Shoulder, with Captive Nut**

Dimensions: 24.5 [0.965], 7.8 [0.307], 22.1 [0.870], 0.4 [0.015], 25.0 [0.984], 31.7 [1.248], 9.4 [0.370], 18.3 [0.720], 40.5 [1.594]

**FL010-S Solid Shoulder Shunted**

Dimensions: 25.0 [0.984], 7.8 [0.307], 22.1 [0.870], 1.0 [0.039], 25.0 [0.984], 31.7 [1.248], 1.4 [0.055], 9.4 [0.370], 40.5 [1.594], 18.3 [0.720]

**FL010-WS Flexible Snap-in Shoulder Shunted**

Dimensions: 24.5 [0.965], 7.8 [0.307], 22.1 [0.870], 0.4 [0.015], 25.0 [0.984], 31.7 [1.248], 9.4 [0.370], 18.3 [0.720], 40.5 [1.594]

**FL010-WN Flexible Shoulder with Locating Nib**

Dimensions: 24.5 [0.965], 10.5 [0.415], 7.8 [0.307], 22.1 [0.870], 0.4 [0.015], 25.0 [0.984], 31.7 [1.248], 9.4 [0.370], 40.5 [1.594], 18.3 [0.720]

**FL010X-CN Low Profile Captive Nut, No Shoulder**

Dimensions: 25.40 [1.00], 7.9 [0.313], 15.9 [0.625], 34.1 [1.344], 18.3 [0.719]

LINEAR FLUORESCENT LAMPHOLDERS

T-8 T-12

FOR MORE INFORMATION PLEASE CALL 1-800-661-9610 (HEAD OFFICE) 1-888-762-5384 (USA)

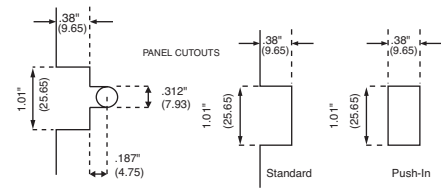
PLEASE CONSULT THE FACTORY FOR MORE PRODUCTS AND CUSTOMIZATION. PRODUCT DETAILS AND SPECIFICATIONS ARE SUBJECT TO CHANGE WITHOUT NOTICE.



FLUORESCENT LAMPHOLDERS MEDIUM BI-PIN G13 FOR T-8 / T-12 LAMPS

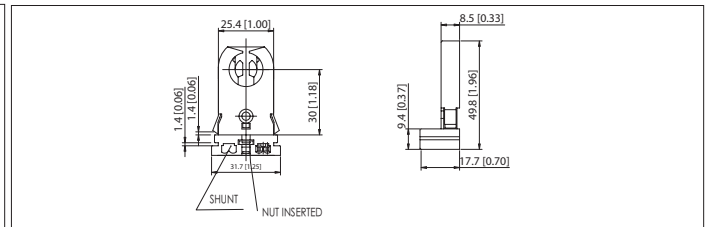
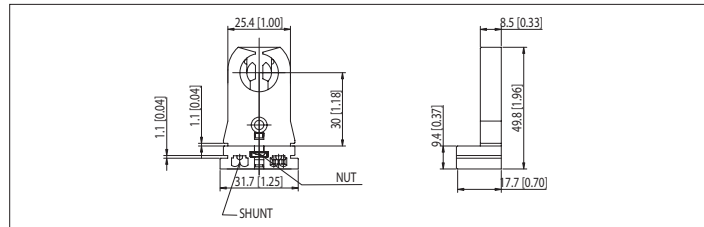
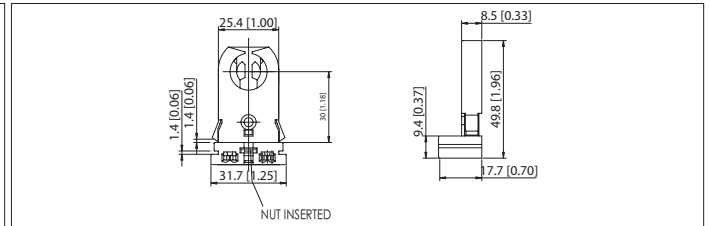
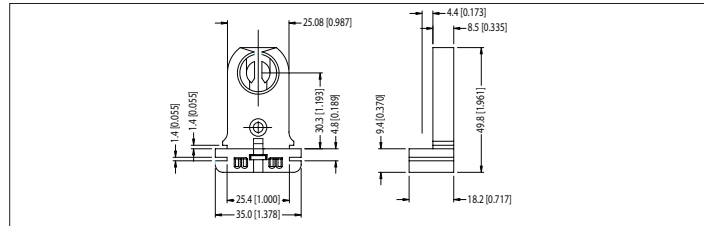
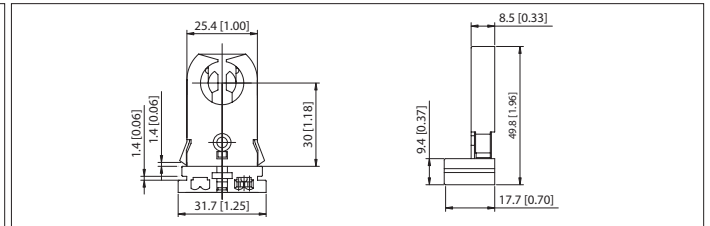
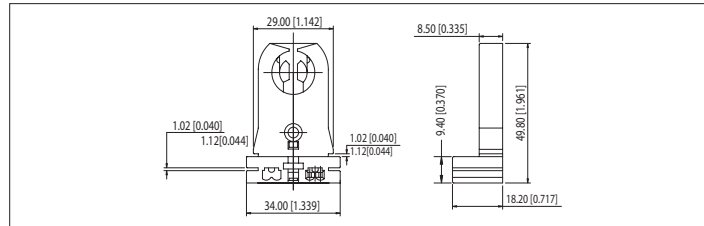
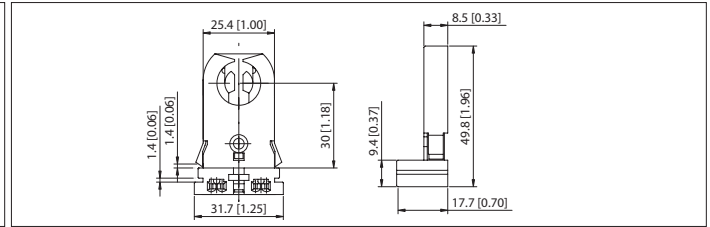
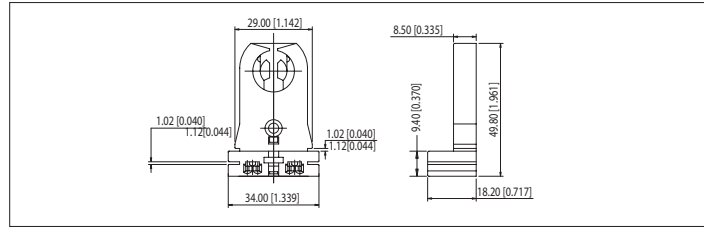
FL011 SERIES

<p>T-8 T-12</p>	<p>G13</p>	<ul style="list-style-type: none"> <li>- White polycarbonate body, rated 110°C</li> <li>- Turn lock type, low profile</li> <li>- Quick connect push-in wire terminals for 18 AWG solid wire 5/16"</li> <li>- Two wire ports per terminal for easy harness wiring</li> <li>- For 0.23" - 0.040" (0.6 mm - 1.0 mm) panel thickness</li> </ul>	<ul style="list-style-type: none"> <li>- Available shunted for use with instant start electronic ballasts; saves time and makes wiring easier</li> <li>- Many models to choose from</li> <li>- Rated 660W, 600V, suitable for all new HO lamps</li> <li>- cCSAus Certified / cULus Listed</li> </ul>
---------------------	------------	---	--



LINEAR FLUORESCENT LAMPHOLDERS

T-8  
T-12



\* Add "-S" after product code for internal shunted version



FOR MORE INFORMATION PLEASE CALL 1-800-661-9610 (HEAD OFFICE) 1-888-762-5384 (USA)

PLEASE CONSULT THE FACTORY FOR MORE PRODUCTS AND CUSTOMIZATION. PRODUCT DETAILS AND SPECIFICATIONS ARE SUBJECT TO CHANGE WITHOUT NOTICE.

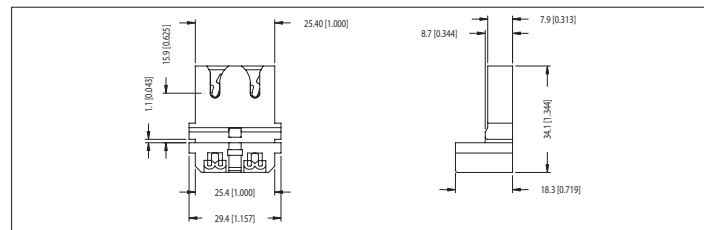
**FLUORESCENT LAMPHOLDERS MEDIUM BI-PIN G13 FOR T-8 / T-12 LAMPS**

E15

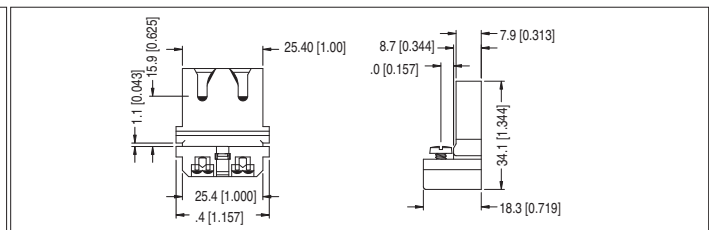
**FL030 SERIES** Low Profile, Self Aligning for U-shaped T8 Lamps

<p><b>T-8 &amp; T-12 MEDIUM BIPIN U-BENT</b></p>	<ul style="list-style-type: none"> <li>- White polycarbonate body, rated 110°C</li> <li>- For T8 lamps</li> <li>- Straight-in or "U" lamp insertion</li> <li>- Quick connect push-in wire terminals for 18 AWG solid wire 5/16"</li> <li>- Two wire ports per terminal for easy harness wiring; wires from bottom of lampholder</li> <li>- Available internally shunted</li> <li>- Rated 660W, 600V, suitable for HO lamps</li> <li>- cCSAus Certified / cULus Listed</li> </ul>
--	--

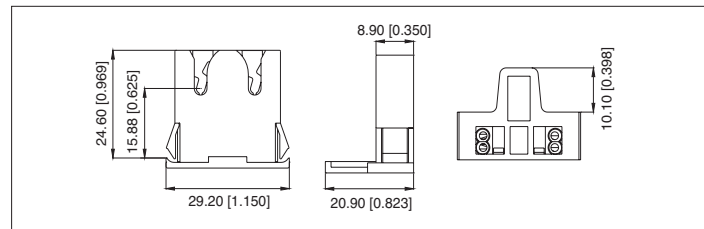
<p><b>FL030-C</b>                      <b>FL030-WSN</b></p>	<p><b>PANEL CUTOUT</b></p> <p>Dimensions: .38" (9.65), 1.01" (25.65), .312" (7.93), .187" (4.75)</p>
---	--



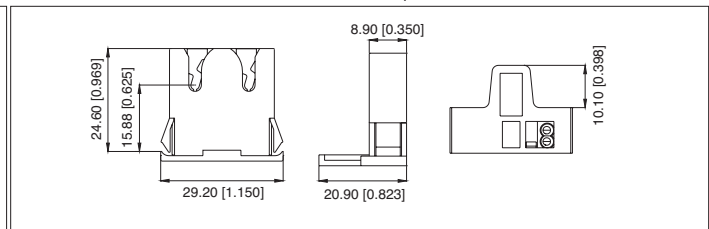
**FL030** Solid Shoulders Slot Mount



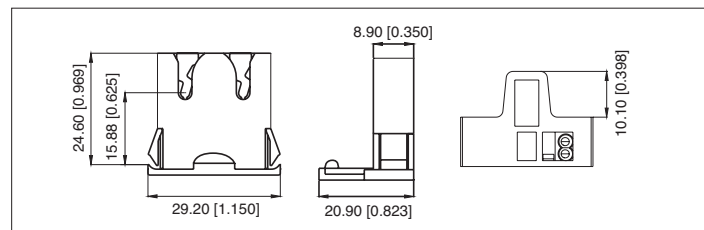
**FL030-C** Solid Shoulders Captive Nut Slot Mount



**FL030-W** Flexible Snap-in Shoulders



**FL030-WS** Flexible Snap-in Shoulders, Shunted



**FL030-WSN** Flexible Snap-in Shoulders, Shunted with Locating Nib

\* Add "-S" after product code for internal shunted version  
 Also available assembled, add suffix "-A" after part number

**FOR MORE INFORMATION PLEASE CALL 1-800-661-9610 (HEAD OFFICE) 1-888-762-5384 (USA)**

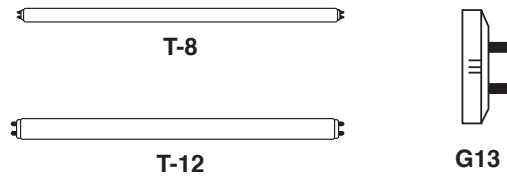
PLEASE CONSULT THE FACTORY FOR MORE PRODUCTS AND CUSTOMIZATION.  
 PRODUCT DETAILS AND SPECIFICATIONS ARE SUBJECT TO CHANGE WITHOUT NOTICE.



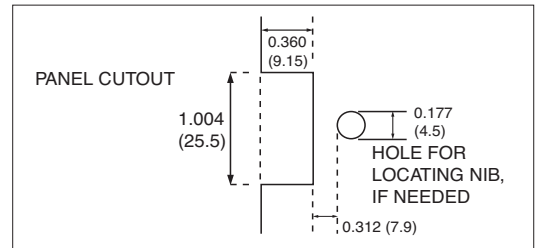
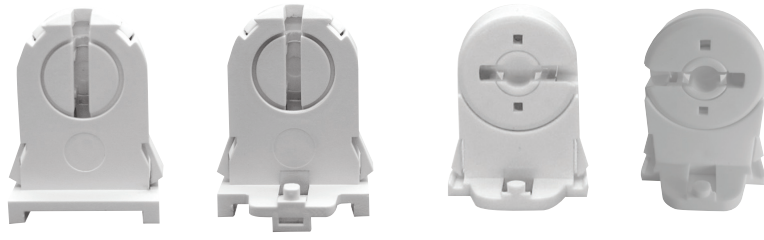
LINEAR FLUORESCENT LAMPHOLDERS T-8 T-12

FLUORESCENT LAMPHOLDERS MEDIUM BI-PIN G13 FOR T-8 / T-12 LAMPS

FL200 SERIES Low Profile, Rotary Lock, T-8 / T-12



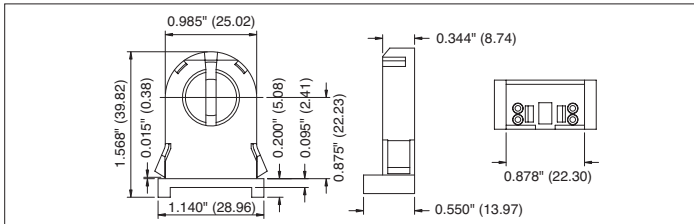
- White polycarbonate body, rated 110°C
- Rotary type lock, low profile for T8/T10/T12 lamps
- Quick connect push-in wire terminals for 18 AWG solid wire 5/16"
- Two wire ports per terminal for easy harness wiring
- For 0.23" - 0.040" (0.6 mm - 1.0 mm) panel thickness
- Many models to choose from
- Rated 660W, 600V, suitable for all new HO lamps
- cCSAus Certified / cULus Listed



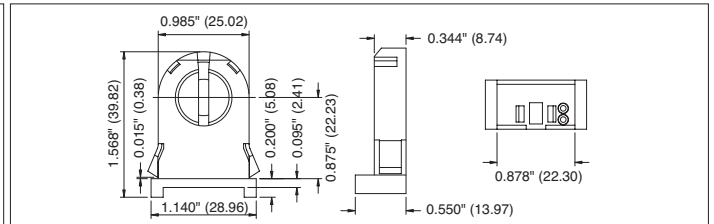
FL200 / FL-200-S FL200-N / FL200-SN FL200-ER FL200-EL

LINEAR FLUORESCENT LAMPHOLDERS

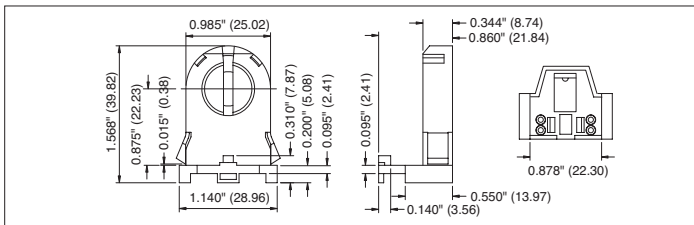
T-8 T-12



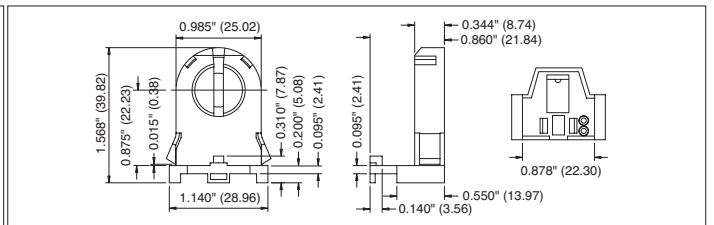
FL200 Flexible Snap-in Shoulder



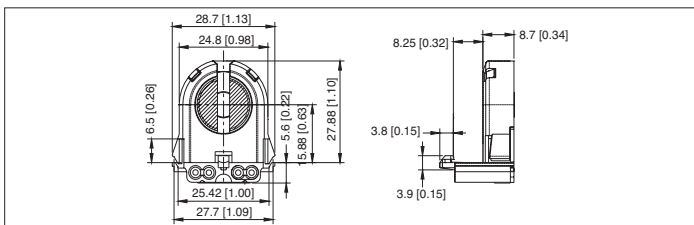
FL200-S Flexible Shoulder Shunted



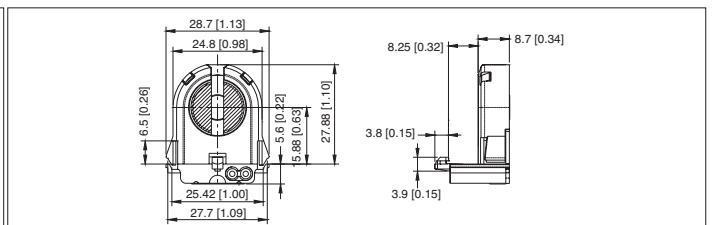
FL200-N Flexible Snap-in Shoulder, Locating Nib



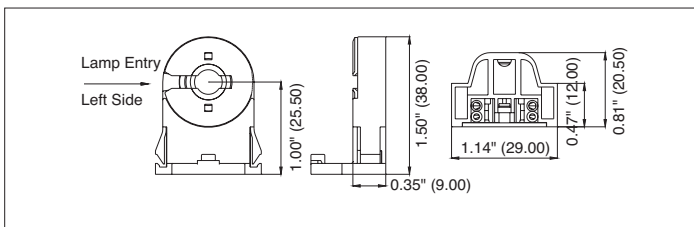
FL200-SN Flexible Shoulder Shunted, Locating Nib



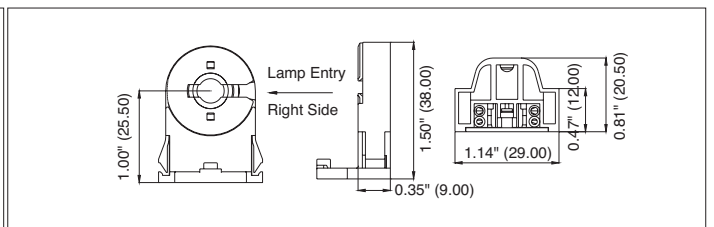
FL200-L Flexible Snap-in Shoulder, Locating Nib, Low Profile



FL200-LS Flexible Snap-in Shoulder, Locating Nib, Low Profile, Shunted



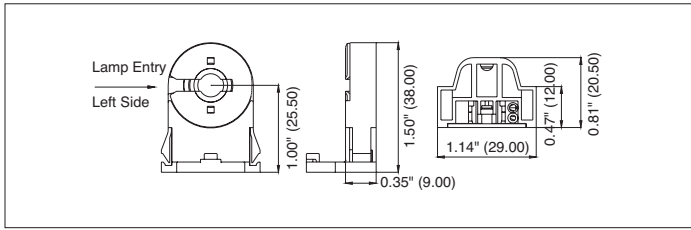
FL200-EL Flexible Snap-in Shoulder, Lamp Entry Left



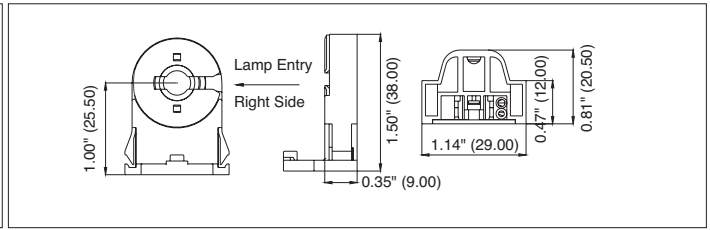
FL200-ER Flexible Snap-in Shoulder, Lamp Entry Right

**FLUORESCENT LAMPHOLDERS MEDIUM BI-PIN G13 FOR T-8 / T-12 LAMPS**

**FL200 SERIES** Low Profile, Rotary Lock, T-8 / T-12 (CONTINUED)



**FL200-ELS** Flexible Snap-in Shoulder, Lamp Entry Left, Shunted



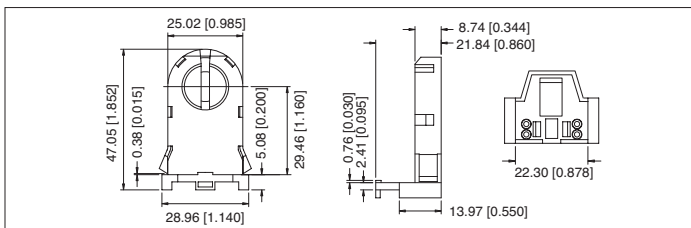
**FL200-ERS** Flexible Snap-in Shoulder, Lamp Entry Right Shunted

\* Add "-S" after product code for internal shunted version

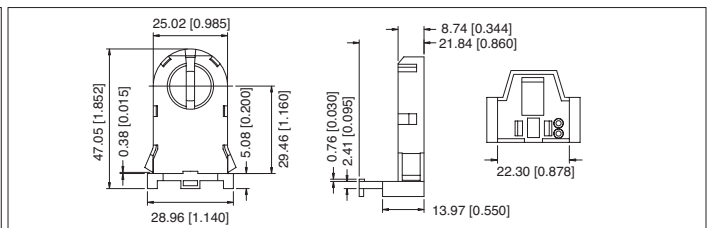
Also available assembled, add suffix "-A" after part number

**FL202 SERIES** Tall Profile, Rotary Lock

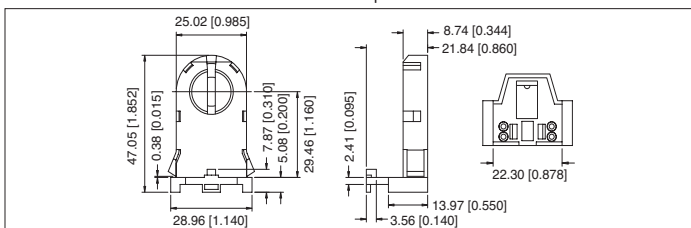
<p>T-8 T-12 G13</p>	<ul style="list-style-type: none"> <li>- White polycarbonate body, rated 110°C</li> <li>- Rotary type lock, low profile for T8/T10/T12 lamps</li> <li>- Quick connect push-in wire terminals for 18 AWG solid wire 5/16"</li> <li>- Two wire ports per terminal for easy harness wiring</li> <li>- For 0.23" - 0.040" (0.6 mm - 1.0 mm) panel thickness</li> <li>- Many models to choose from</li> <li>- Rated 660W, 600V, suitable for all new HO lamps</li> <li>- cCSAus Certified / cULus Listed</li> </ul>
<p><b>FL202</b></p>	<p>PANEL CUTOUT</p> <p>0.177 (4.5) HOLE FOR LOCATING NIB, IF NEEDED</p>



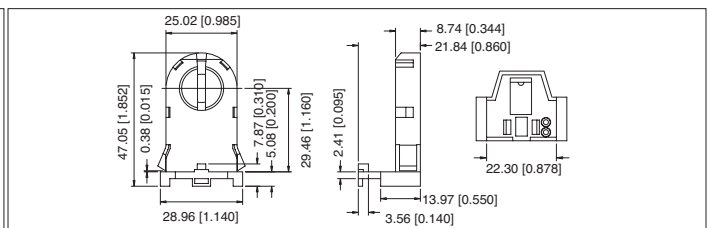
**F202** Flexible Snap-in Shoulder



**FL202-S** Flexible Shoulder Shunted



**FL202-N** Flexible Snap-in Shoulder, Locating Nib



**FL202-SN** Flexible Shoulders, Locating Nib, Shunted

\* Add "-S" after product code for internal shunted version

Also available assembled, add suffix "-A" after part number

FOR MORE INFORMATION PLEASE CALL 1-800-661-9610 (HEAD OFFICE) 1-888-762-5384 (USA)

PLEASE CONSULT THE FACTORY FOR MORE PRODUCTS AND CUSTOMIZATION. PRODUCT DETAILS AND SPECIFICATIONS ARE SUBJECT TO CHANGE WITHOUT NOTICE.

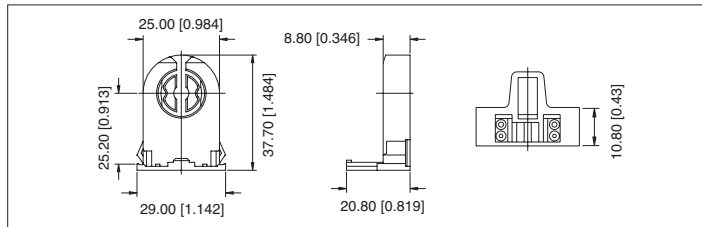




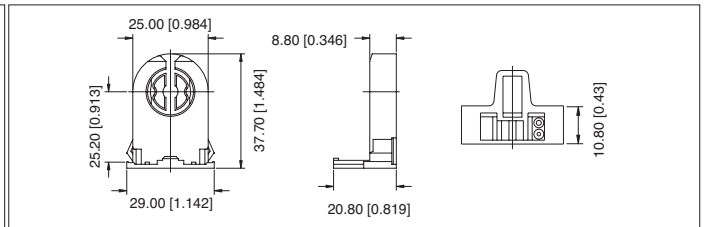
FLUORESCENT LAMPHOLDERS MEDIUM BI-PIN G13 FOR T-8 / T-12 LAMPS

FL204 SERIES Low Profile / FL205 SERIES Tall Profile

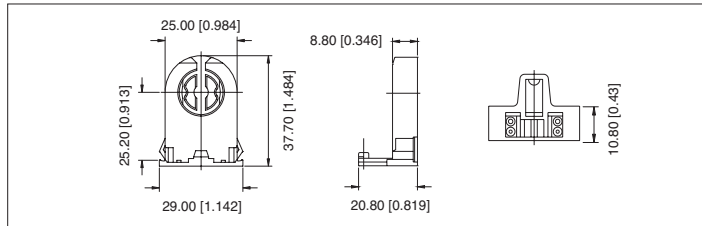
<p>T-8 T-12</p>	<p>G13</p>	<ul style="list-style-type: none"> <li>- White polycarbonate body, rated 110°C</li> <li>- Turn type lock, low profile or tall for T8/T10/T12 lamps</li> <li>- Quick connect push-in wire terminals for 18 AWG solid wire 5/16"</li> <li>- Two wire ports per terminal for easy harness wiring</li> <li>- For 0.23" - 0.040" (0.6 mm - 1.0 mm)</li> </ul>	<p>panel thickness</p> <ul style="list-style-type: none"> <li>- Available shunted for use with instant start electronic ballasts; saves time and makes wiring easier</li> <li>- Many models to choose from</li> <li>- Rated 660W, 600V, suitable for all new HO lamps</li> <li>- cCSAus Certified / cULus Listed</li> </ul>	
<p>FL-204</p>	<p>FL-204-S</p>	<p>FL-205</p>	<p>FL-205-S</p>	<p>PANEL CUTOUT</p>



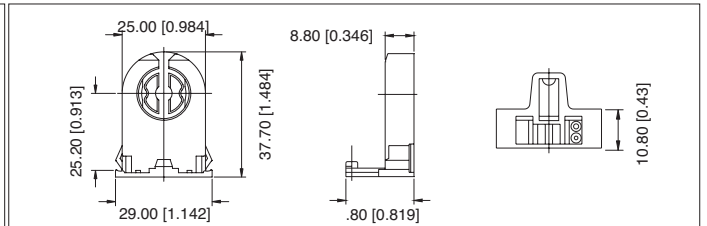
FL204 Flexible Snap-in Shoulder



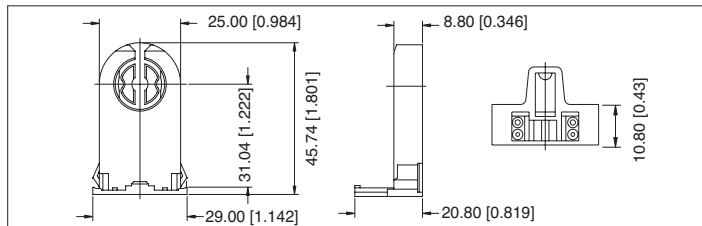
FL204-S Flexible Shoulder Shunted



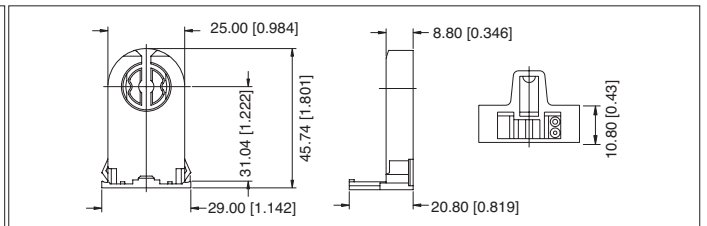
FL204-N Flexible Snap-in Shoulder, Locating Nib



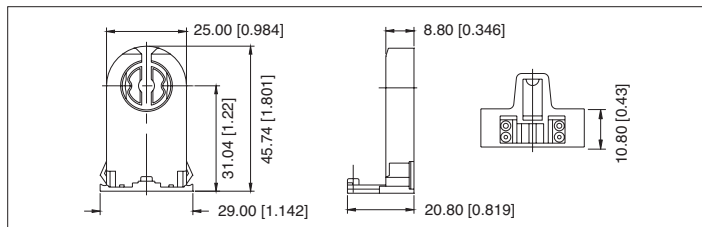
FL204-SN Flexible Shoulder Shunted, Locating Nib



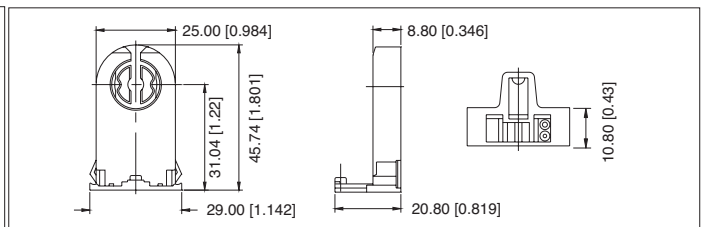
FL205 Flexible Snap-in Shoulder, T-8 Only



FL205-S Flexible Shoulder, Shunted, T-8 Only



FL205-N Flexible Snap-in Shoulder, T-8 Only, Locating Nib



FL205-SN Flexible Shoulder, Shunted T-8 Only, Locating Nib

\* Add "-S" after product code for internal shunted version

Δ Add "-C" after product code for captive nut on models with nut slot

**FLUORESCENT LAMPHOLDERS MEDIUM BI-PIN G13 FOR T-8 / T-12 LAMPS**

E19

**FL206 SERIES** Low Profile, Rotary Lamp Lock

<p>T-8 T-12 G13</p>	<ul style="list-style-type: none"> <li>- White polycarbonate body, rated 110°C</li> <li>- Rotary type lock, low profile for T8/T10/T12 lamps</li> <li>- Quick connect push-in wire terminals for 18 AWG solid wire 5/16"</li> <li>- Two wire ports per terminal for easy harness wiring</li> </ul>	<ul style="list-style-type: none"> <li>- For 0.23" - 0.040" (0.6 mm - 1.0 mm) panel thickness</li> <li>- Many models to choose from</li> <li>- Rated 660W, 600V, suitable for all new HO lamps</li> <li>- cCSAus Certified / cULus Listed</li> </ul>
-----------------------------	--	--

<p>FL206</p>	<p>FL206-BSI</p>	<p>FL206-X</p>	<p>PANEL CUTOUT</p> <p>HOLE FOR LOCATING NIB, IF NEEDED</p>
<p>FL206* <math>\Delta</math> Solid Shoulder, Slot on Mount 18 or 20 ga. Panel, Nut Slot</p>	<p>FL206-BSI* Snap-in Mount from the Top</p>		
<p>FL206X* <math>\Delta</math> Flush Sides, Slot Mount 18 ga. Panel</p>	<p>* Add "-S" after product code for internal shunted version  <math>\Delta</math> Add "-C" after product code for captive nut on models with nut slot</p>		

LINEAR FLUORESCENT LAMPHOLDERS  
T-8  
T-12

**FL207 Series** Tall Profile Rotary Lamp Lock

<p>T-8 T-12 G13</p>	<ul style="list-style-type: none"> <li>- White polycarbonate body, rated 110°C</li> <li>- Rotary type lock, low profile for T8/T10/T12 lamps</li> <li>- Quick connect push-in wire terminals for 18 AWG solid wire 5/16"</li> <li>- Two wire ports per terminal for easy harness wiring</li> </ul>	<ul style="list-style-type: none"> <li>- Rated 660W, 600V, suitable for all new HO lamps</li> <li>- Many models to choose from</li> <li>- cCSAus Certified / cULus Listed</li> <li>- Circle I s5487 for shunted version(s)</li> </ul>
-----------------------------	--	---

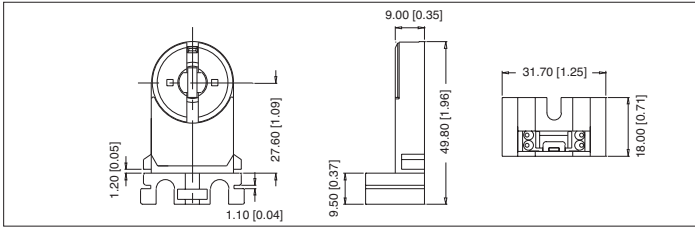
<p>FL207</p>	<p>FL207-X-C</p>	<p>PANEL CUTOUT</p> <p>HOLE FOR LOCATING NIB, IF NEEDED</p>
--------------	------------------	---

FOR MORE INFORMATION PLEASE CALL 1-800-661-9610 (HEAD OFFICE) 1-888-762-5384 (USA)

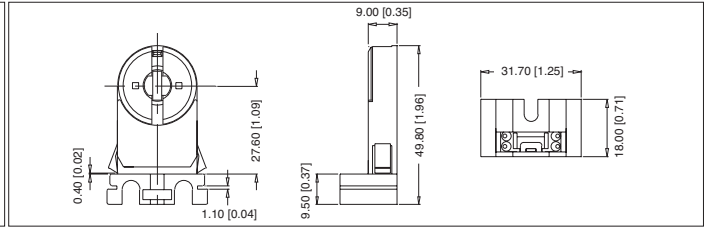
PLEASE CONSULT THE FACTORY FOR MORE PRODUCTS AND CUSTOMIZATION.  
 PRODUCT DETAILS AND SPECIFICATIONS ARE SUBJECT TO CHANGE WITHOUT NOTICE.



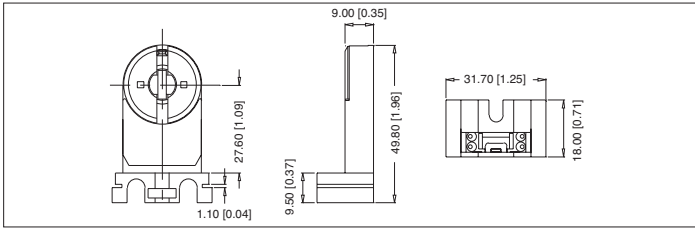
FLUORESCENT LAMPHOLDERS MEDIUM BI-PIN G13 FOR T-8 / T-12 LAMPS



**FL207\* Δ** Solid Shoulder, Slot Mount 18 or 20 ga. Panel, Nut Slot



**FL207-W\* Δ** Flexible Wing, Snap in or Screw Mount, 18 ga. Panel



**FL207X\* Δ** Flush Sides, Slot Mount 18 ga. Panel

\* Add "-S" after product code for internal shunted version  
 Δ Add "-C" after product code for captive nut on models with nut slot

**FL421 T-8 / T-12 Rear Snap-in Mount / FL421-S Shunted Version**

<p>T-8</p> <p>T-12</p> <p>G13</p>	<ul style="list-style-type: none"> <li>- White polycarbonate body, rated 110°C</li> <li>- Locking rotor design for maximum lamp retention</li> <li>- Snaps into two holes in panel for fast and easy mounting</li> <li>- Quick connect push-in wire terminals for 18 AWG solid wire 5/16"</li> <li>- Two wire ports per terminal for easy harness wiring</li> <li>- For 0.23" - 0.040" (0.6 mm - 1.0 mm) panel thickness</li> <li>- Wires from bottom of lampholder</li> <li>- Rated 660W, 600V, suitable for all new HO lamps</li> <li>- cCSAus Certified / cULus Listed</li> </ul>
	<p>PANEL CUTOUT</p>

**FL421-SP Rear Snap-in Mount with Spring Plate / FL421-S-SP Shunted Version with Spring Plate**

<p>T-8</p> <p>T-12</p> <p>G13</p>	<ul style="list-style-type: none"> <li>- White polycarbonate body, rated 110°C</li> <li>- Locking rotor design for maximum lamp retention</li> <li>- Snaps into two holes in panel for fast and easy mounting</li> <li>- Quick connect push-in wire terminals for 18 AWG solid wire 5/16"</li> <li>- Spring plate allows for lamp tolerance compensation</li> <li>- Two wire ports per terminal for easy harness wiring</li> <li>- For 0.23" - 0.040" (0.6 mm - 1.0 mm) panel thickness</li> <li>- Wires from bottom of lampholder</li> <li>- Rated 660W, 600V, suitable for all new HO lamps</li> <li>- cCSAus Certified / cULus Listed</li> </ul>
	<p>PANEL CUTOUT</p>

**FLUORESCENT LAMPHOLDERS MEDIUM BI-PIN G13 FOR T8 / T12 LAMPS**

E21

**FL500 SERIES T-8 / T-12 Butt-on Type**

<p>T-8</p> <p>T-12</p> <p>G13</p>	<ul style="list-style-type: none"> <li>- Made from Black Phenolic or White thermosetting plastic</li> <li>- Available with snap-in springs</li> <li>- Plain hole or tapped hole</li> <li>- Supplied with 9" TEW 105°C wire leads</li> <li>- Lead can be brought out either straight down or through hole in rear</li> <li>- FL-500 - White, Turn Lock 9" TEW Leads</li> <li>- FL-500B-1 - Black with 9" TEW Leads with Brackets</li> <li>- FL-500B - Black with 9" Leads 0.140" MTG Holes</li> <li>- FL-500W-1 - White with 9" TEW Leads and Bracket</li> <li>- Rated 660W, 600V</li> <li>- cCSAus Certified / cULus Listed</li> </ul>
<p><b>FL500B-1</b></p>	<p>PANEL CUTOUT</p> <p>0.328" (8.33)</p> <p>1.010" (25.7)</p> <p>0.875" (22.2)</p> <p>0.156" DIA (3.96)</p>
<p>2 x 0.125" dia holes</p> <p>31.75 [1.250]</p> <p>30.96 [1.219]</p> <p>13.50 [0.531]</p> <p>24.60 [0.969]</p> <p>5.60 [0.220]</p> <p>11.20 [0.441]</p> <p>9.53 [0.375]</p>	<p>31.75 [1.250]</p> <p>16.20 [0.638]</p> <p>11.20 [0.441]</p> <p>9.53 [0.375]</p> <p>30.96 [1.219]</p> <p>13.50 [0.531]</p> <p>24.60 [0.969]</p> <p>5.60 [0.220]</p>
<p><b>F500B</b> 9" Leads with Mounting Holes</p>	<p><b>FL500-W1</b> 9" Leads in White</p>

LINEAR FLUORESCENT LAMPHOLDERS T-8 T-12

**FL709-W Fixed End Lampholder, Tall Profile, Bi-Pin**

<p>T-8</p> <p>T-12</p> <p>G13</p>	<ul style="list-style-type: none"> <li>- Made from Polycarbonate</li> <li>- For 60W - 112W lamps</li> <li>- Flexible snap-in wings for quick, easy insertion into panel</li> <li>- Snap-in/Slot-in mount, available with captive nuts for screw mount</li> <li>- Quick connect push-in wire terminals</li> <li>- accept 18 AWG solid or solder dipped leads, stripped 3/8"</li> <li>- Horizontal Bi-Pin Contact</li> <li>- Two wire ports per terminal to speed harness wiring</li> <li>- Rated 660W, 600V on Fixed End</li> <li>- cCSAus Certified / cULus Listed</li> </ul>
	<p>1.13" (28.6)</p> <p>1.13" (28.6)</p> <p>1.17" (29.8)</p> <p>1.31" (33.3)</p> <p>18-22 ga</p> <p>0.91" (23.0)</p> <p>1.50" (38.1)</p> <p>1.74" (44.1)</p> <p>2.05" (52.0)</p> <p>1.130" (28.7)</p> <p>1.130" (28.7)</p> <p>1.343" (34.11)</p> <p>1.130" (28.7)</p> <p>1.130" (28.7)</p> <p>1.130" (28.7)</p> <p>1.130" (28.7)</p> <p>Open Slot</p> <p>Snap In</p> <p>PANEL CUTOUT</p>

FOR MORE INFORMATION PLEASE CALL 1-800-661-9610 (HEAD OFFICE) 1-888-762-5384 (USA)

PLEASE CONSULT THE FACTORY FOR MORE PRODUCTS AND CUSTOMIZATION. PRODUCT DETAILS AND SPECIFICATIONS ARE SUBJECT TO CHANGE WITHOUT NOTICE.



**FLUORESCENT LAMPHOLDERS MEDIUM BI-PIN G13 FOR T8 / T12 LAMPS**

**FL710-W** Plunger End Lampholder, Tall Profile, Bi-Pin

<p>T-8 T-12</p> <p>G13</p>	<ul style="list-style-type: none"> <li>- Made from Polycarbonate</li> <li>- For 60W - 112W lamps</li> <li>- Flexible snap-in wings for quick, easy insertion into panel</li> <li>- Snap-in/Slot-in mount, available with captive nuts for screw mount</li> <li>- Quick connect push-in wire terminals</li> </ul> <ul style="list-style-type: none"> <li>accept 18 AWG solid or solder dipped leads, stripped 3/8"</li> <li>- Horizontal Bi-Pin Contact</li> <li>- Two wire ports per terminal to speed harness wiring</li> <li>- Rated 660W, 600V on Spring End</li> <li>- cCSAus Certified / cULus Listed</li> </ul>
<p>1.13" (28.6) 1.17" (29.8) 1.31" (33.3) 1.13" (28.6) 0.56" (14.3) 1.13" (28.6) 1.74" (44.1) 2.05" (52.0) 1.50" (38.1) 0.31" (8.0) ø 0.63" (ø 21.0) 18-22 ga</p> <p>Open Slot Snap In PANEL CUTOUT</p>	

**TURRET LAMPHOLDERS**

**FL518** T8 / T12 Bi-Pin Plunger End / **FL518-S** T8 / T12 Bi-Pin Plunger End Shunted  
**FL519** T8 / T12 Bi-Pin Fixed End / **FL519-S** T8 / T12 Bi-Pin Fixed End Shunted

<p>T-8 T-12</p> <p>G13</p>	<ul style="list-style-type: none"> <li>- These updated lampholders are made polycarbonate</li> <li>- Ideal for retail, commercial, signage and industrial applications</li> <li>- Keyway provides proper orientation and secures lampholder</li> <li>- Quickwire terminals accept 18 AWG solid or bonded copper wire, strip</li> <li>- For panel thicknesses from 0.035" to 0.050" ( .9mm to 1.3mm )</li> </ul> <ul style="list-style-type: none"> <li>- Easily snaps into panel for quick assembly</li> <li>- Wires from the back of the lampholder</li> <li>- Two wire ports per terminal</li> <li>- Rated 660W 600V</li> <li>- c UL us, c CSA us listed</li> <li>- s" versions are internally shunted for instant start ballast applications</li> </ul>
<p>1.80 (0.07) 10.70 (0.42) 2.00 (0.08) 15.00 (0.59) 16.30 (0.64) 1.80 (0.07) 2.00 (0.08) 1.00 (0.04) R0.80 (R0.03) 1.00 (0.04) R0.80 (R0.03) 1.00 (0.04) R0.80 (R0.03)</p> <p>panel cut out</p>	



**FLUORESCENT LAMPHOLDERS MEDIUM BI-PIN G13 FOR T8 SPACING / T5 LAMPS**

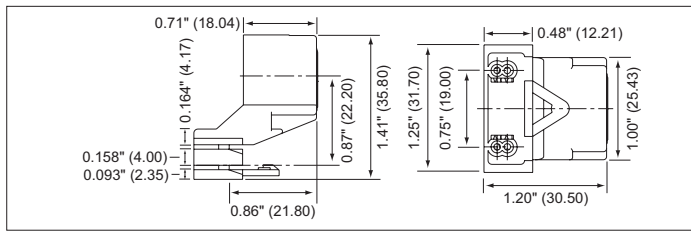
E23

**FLT8 / T5 SERIES** T8 to T5 Offset Socket - to go from T8 spacing and use a T5 Lamp

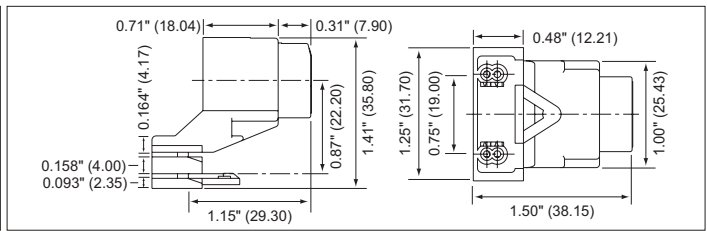
<p><b>G5</b></p>	<ul style="list-style-type: none"> <li>- Made from Polycarbonate, rated 110°C</li> <li>- Phosphor Bronze contacts</li> <li>- Maintains lamp axis from T8 to T5 on low slot</li> <li>- Has fixed and plunger end to allow for lamp length tolerances</li> <li>- Rotary lock lampholders assure lamps do not come out until returned to unlocked position</li> <li>- Quick contact push in wire terminals for 18 AWG solid or bonded copper wire, stripped 7/16"</li> </ul>	<ul style="list-style-type: none"> <li>- Ideal in applications where hard tooling new socket plates would be expensive or the quantity required would not be justified</li> <li>- Ideal for relamping existing fixtures in ceilings using the existing socket bars</li> <li>- Two wire ports per terminal</li> <li>- Rated 660W, 600V</li> <li>- UL listed, CSA approved</li> <li>- Patent pending</li> <li>- Samples are available to try in your applications, please contact our office</li> <li>* Note: May not fit in all applications; covers may require notched area to fit.</li> </ul>
------------------	---	---

<p><b>FLT8/T5-FH: Fixed End</b></p>	<p><b>FLT8/T5-PH: Plunger End</b></p>	<p><b>FH/PH FH/PH FW</b></p>
-------------------------------------	---------------------------------------	----------------------------------

LINEAR FLUORESCENT LAMPHOLDERS T-8 T-12

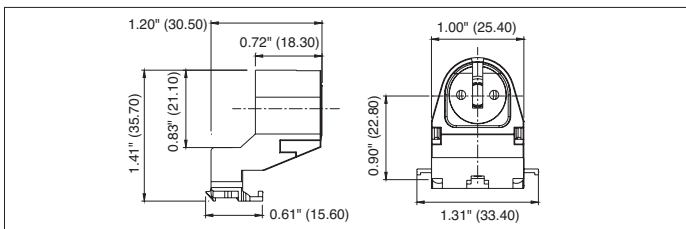


**FLT8/T5-FH**

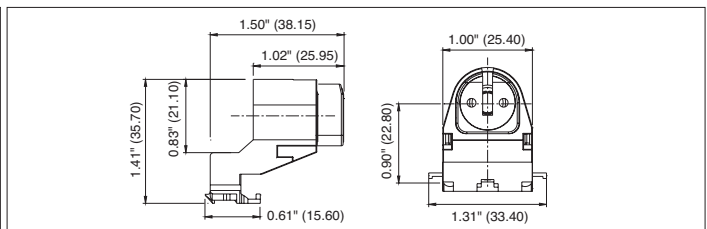


**FLT8/T5-PH**

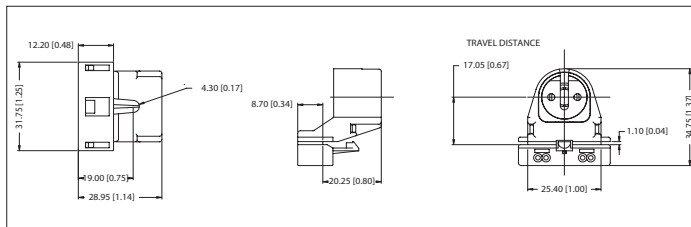
\* Add "-S" after product code for internal shunted version



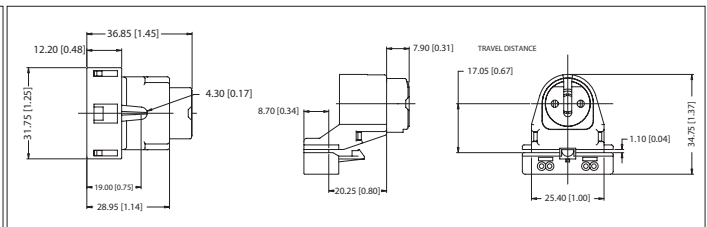
**FLT8/T5-FH-BSI (BOTTOM SNAP IN)**



**FLT8/T5-PH-BSI (BOTTOM SNAP IN)**



**FLT8/T5-FH-FW (FRONT WIRES)**



**FLT8/T5-PH-FW (FRONT WIRES)**

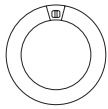
FOR MORE INFORMATION PLEASE CALL 1-800-661-9610 (HEAD OFFICE) 1-888-762-5384 (USA)

PLEASE CONSULT THE FACTORY FOR MORE PRODUCTS AND CUSTOMIZATION. PRODUCT DETAILS AND SPECIFICATIONS ARE SUBJECT TO CHANGE WITHOUT NOTICE.

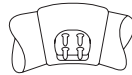


FLUORESCENT CIRCLINE SOCKETS

FLG10Q-FE G10Q Socket with 2 Mounting Ears

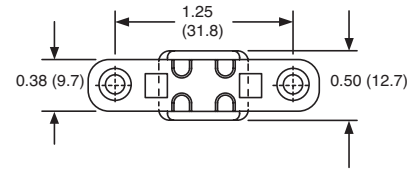
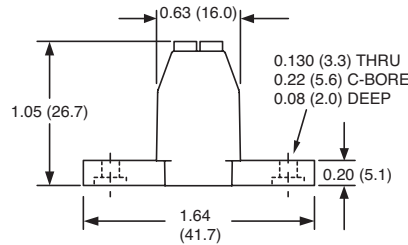


T-9

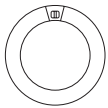


G10Q

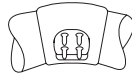
- White thermoplastic body
- Quick connect push-in wire terminals for 18 AWG Solid or Twist & Tin or solder dipped wire, stripped 7/16"
- Twin wireways for easy harness wiring.
- Wires from bottom of lampholder
- Quick connect push-in wire terminals for 18 AWG solid, Twist & Tin, or solder dipped wire, stripped 5/16"
- Socket has 2 mounting ears to screw down to panel
- Rated 120W, 600V
- UL Listed & CSA Certified



FLG10Q-FL G10Q Floating Socket / FLG10Q-9TEWN with 9" TEWN Leads

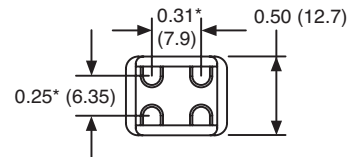
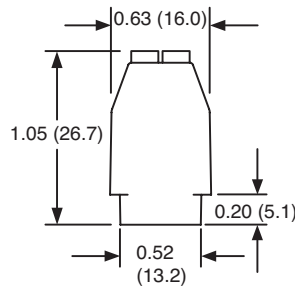


T-9




G10Q

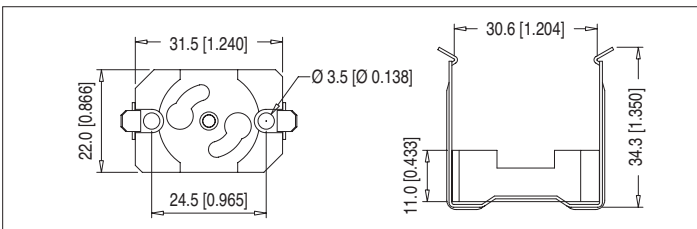
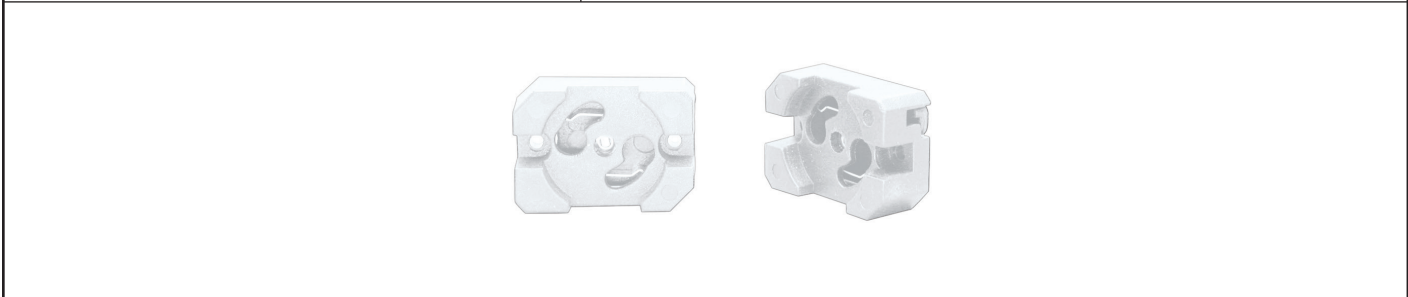
- White thermoplastic body
- Floating version of socket
- FLG10Q-FL has push-in wire terminals for 18 AWG solid wire, stripped 7/16"
- FLG10Q-9T has 9" TEWN 18 AWG leads attached (2 Blue, 2 Yellow), stripped 1/2"
- Rated 120W, 600V
- UL Listed & CSA Certified



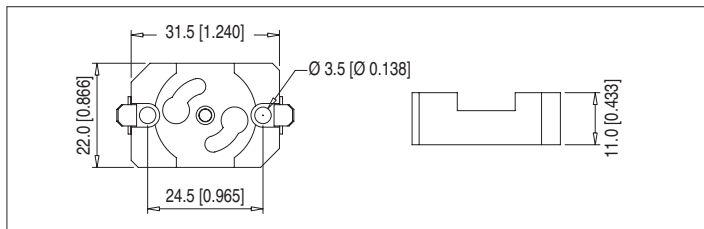
**FLUORESCENT STARTER BASES**

**FSB SERIES** Starter Bases

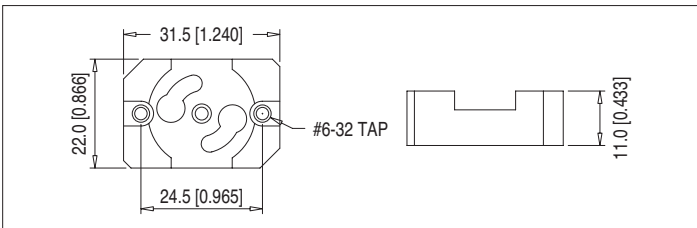
	<ul style="list-style-type: none"> <li>- Made from high heat polycarbonate</li> <li>- Many mounting methods available</li> <li>- High strength Brass alloy contacts</li> <li>- Quick connect push-in wire terminals accept 18 AWG solid or over tinned leads, stripped 1/2"</li> </ul>	<ul style="list-style-type: none"> <li>- White colour is standard; Black is available upon request, with minimums</li> <li>- Starter holders may be ordered with leads attached, subject to minimums</li> <li>- Rated 660W, 600V</li> <li>- cCSAus Certified / cULus Listed</li> </ul>
---	--	--



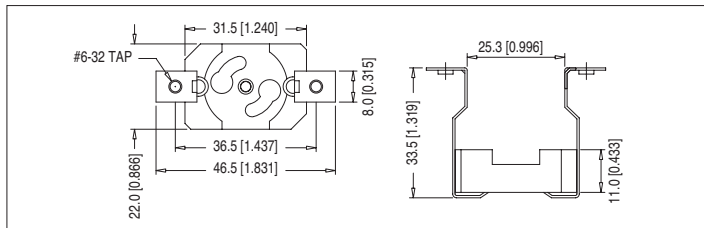
**FSB-001** Tall Snap-in Bracket.



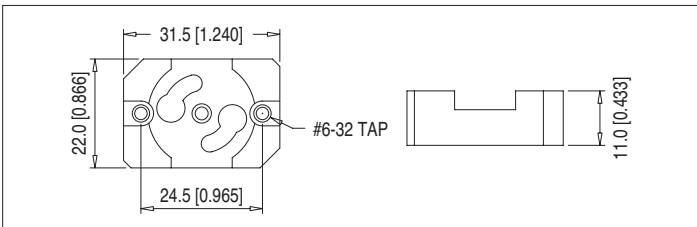
**FSB-002** Screw Mount (2) 0.138 Holes



**FSB-003** Screw Mount (2) #6/32 Trapped Holes



**FSB-004** Tall Bracket (2) #6/32 Tapped Holes



**FSB-006A** Screw Mount (2) #6/32 Trapped Holes

LINEAR FLUORESCENT ACCESSORIES

FOR MORE INFORMATION PLEASE CALL 1-800-661-9610 (HEAD OFFICE) 1-888-762-5384 (USA)

PLEASE CONSULT THE FACTORY FOR MORE PRODUCTS AND CUSTOMIZATION. PRODUCT DETAILS AND SPECIFICATIONS ARE SUBJECT TO CHANGE WITHOUT NOTICE.

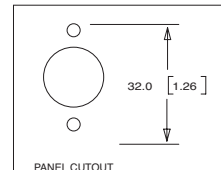
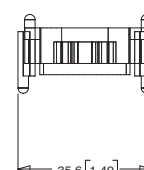
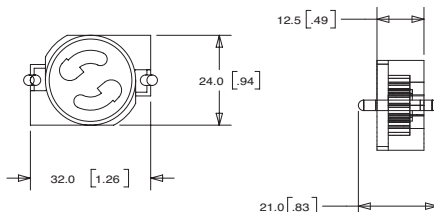


FLUORESCENT STARTERS, STARTER BASES AND ACCESSORIES

FSB-268 Starter Base, Top / Bottom Snap-in



- Made from high strength polycarbonate
- Can be mounted either above or below surface
- Snaps into two holes in panel for quick assembly
- For 0.023" - 0.047" (0.6 mm - 1.2 mm) panel thickness
- Quick connect push-in wire terminals accept 18 AWG solid or pre-tinned leads, stripped 3/8"
- Rated 660W, 600V
- cCSAus Certified / cULus Listed



FS SERIES Starters



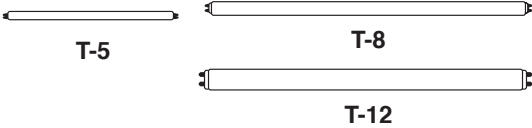


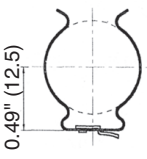
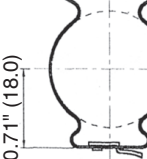
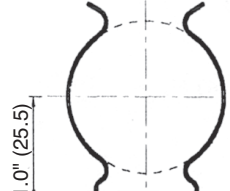

- These quality long life starters are used to ignite fluorescent lamps
- Available in plastic or metal can
- UL Listed & CSA Approved



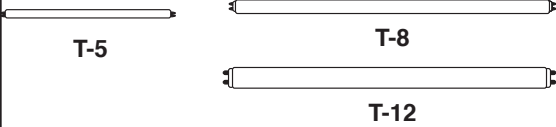
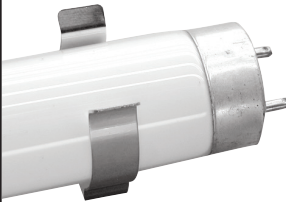

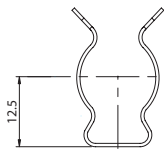
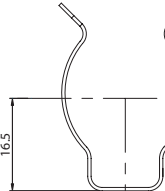
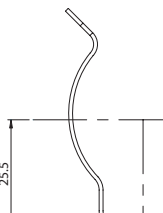
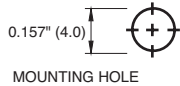
METAL CASE	PLASTIC CASE	FOR USE WITH
FS-2M	FS-2	14, 15, 20W Linear Lamps
FS-4M	FS-4	30, 40W Linear Lamps
FS-5M	FS-5	4, 5, 6, 8W Linear Lamps
FS-12M	FS-12	32W Circline Lamps
FS-25M	FS-25	22, 25W Circline Lamps

FLUORESCENT LAMP CLIPS

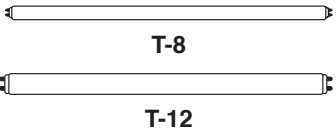
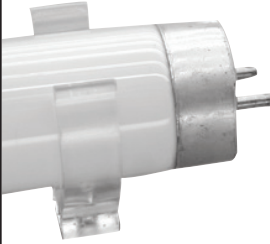

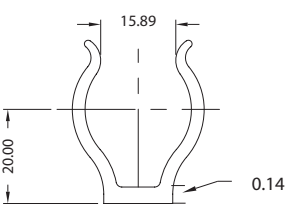
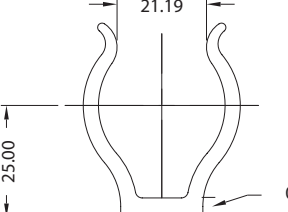
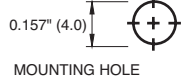
LCM-T5-LP-SI / LCM-T8-LP-SI / LCM-T12-LP-SI Metal Snap-in Support Clip

 <p>T-5</p> <p>T-8</p> <p>T-12</p>	<ul style="list-style-type: none"> <li>- Snap-In Clip for T5/T8/T12 Lamp</li> <li>- Made of nickel-plated steel</li> <li>- Mounts into 0.315" (8 mm) hole</li> </ul>
 	 <p>0.49" (12.5)</p> <p>LCM-T5-LP-SI</p>  <p>0.71" (18.0)</p> <p>LCM-T8-LP-SI</p>  <p>1.0" (25.5)</p> <p>LCM-T12-LP-SI</p>  <p>0.351"</p> <p>MOUNTING HOLE</p>

LCM-T5-LP-SC / LCM-T8-LP-SC / LCM-T12-LP-SC Metal Screw-in Support Clip

 <p>T-5</p> <p>T-8</p> <p>T-12</p>	<ul style="list-style-type: none"> <li>- Screw Mount Clip for T5/T8/T12 Lamp</li> <li>- Made of nickel-plated steel</li> <li>- Mounts into 0.157" (4 mm) hole</li> <li>*For clip with captive nut, replace suffix '-SC' with '-SN'</li> </ul>
 	 <p>12.5</p> <p>LCM-T5-LP-SC</p>  <p>16.5</p> <p>LCM-T8-LP-SC</p>  <p>25.5</p> <p>LCM-T12-LP-SC</p>  <p>0.157" (4.0)</p> <p>MOUNTING HOLE</p>

LCP-T8-LP-SC / LCP-T12-LP-SC Plastic Screw-in Support Clip

 <p>T-8</p> <p>T-12</p>	<ul style="list-style-type: none"> <li>- Screw Mount Clip for T8 Lamp</li> <li>- Made of UV stabilized clear polycarbonate</li> <li>- Mounts into 0.157" (4 mm) hole</li> <li>*For clip with captive nut, replace suffix '-SC' with '-CN'</li> </ul>
 	 <p>15.89</p> <p>20.00</p> <p>0.14</p> <p>LCP-T8-LP-SC</p>  <p>21.19</p> <p>25.00</p> <p>0.14</p> <p>LCP-T12-LP-SC</p>  <p>0.157" (4.0)</p> <p>MOUNTING HOLE</p>

FOR MORE INFORMATION PLEASE CALL 1-800-661-9610 (HEAD OFFICE) 1-888-762-5384 (USA)

PLEASE CONSULT THE FACTORY FOR MORE PRODUCTS AND CUSTOMIZATION.  
PRODUCT DETAILS AND SPECIFICATIONS ARE SUBJECT TO CHANGE WITHOUT NOTICE.


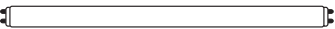



## LINEAR FLUORESCENT LAMPHOLDER ACCESSORIES

E28

### FLUORESCENT STARTERS, STARTER BASES AND ACCESSORIES

#### TL-1 Tube Locks

 <p><b>T-8</b></p>  <p><b>T-12</b></p>	<ul style="list-style-type: none"><li>- Made from White heat resistant Polypropylene</li><li>- Prevents lamps from shattering in fixtures by locking out pins</li><li>- Simply slides on to most industry T8/T12 lampholders</li><li>- For high vibration applications</li></ul>
	

LINEAR FLUORESCENT  
LAMPHOLDERS

# HIGH OUTPUT & SLIMLINE LINEAR FLUORESCENT LAMP HOLDERS

## SECTION F HIGH OUTPUT & SLIMLINE LINEAR FLUORESCENT LAMP HOLDERS

FA8 Base	F2 - F3
R17D Base	F4 - F10
Turret Lampholders	F11 - F14



FA8 BASE

FL314W / FL315W Low Profile Slimline Lampholder Set

<p>T-8 T-12</p>	<p>FA8</p>	<ul style="list-style-type: none"> <li>- Made from white polycarbonate</li> <li>- Snap-in/slide-into panel slot</li> <li>- Fixed end &amp; Spring end sets</li> <li>- Quick connect push-in wire terminals accept 18 AWG solid or solder dipped leads, stripped 3/8"</li> </ul>	<ul style="list-style-type: none"> <li>- Two wire ports per terminal to speed harness wiring</li> <li>- Rated 660W, 600V</li> <li>- cCSAus Certified / cULus Listed</li> </ul>
<p>Technical drawings showing dimensions: 1.17" (29.8), 1.12" (28.6), 18-22 ga, 0.31" (8.0), 1.49" (37.9), 1.12" (28.3), 1.58" (40.1), 1.89" (48.0). Panel cutout diagrams for Open Slot (1.130" (28.7) x 1.343" (34.11)) and Snap In (1.130" x 1.130").</p>			

FL314-W Stationary End Slimline Lampholder

<p>T-8 T-12</p>	<p>FA8</p>	<ul style="list-style-type: none"> <li>- Made from white polycarbonate</li> <li>- For T6 - T12 lamps</li> <li>- Used in residential, commercial and industrial applications, and in outdoor enclosed signs</li> <li>- Quick connect push-in wire terminals accept 18 AWG solid or solder dipped leads, stripped 3/8"</li> </ul>	<ul style="list-style-type: none"> <li>- Recessed wire wells completely enclose wires</li> <li>- Designed for snap-in or slide-in mounting</li> <li>- Rated 660W, 600V Fixed End</li> <li>- cCSAus Certified / cULus Listed</li> </ul>
<p>Technical drawings showing dimensions: 1.17" (29.8), 1.12" (28.6), 18-22 ga, 0.31" (8.0), 1.49" (37.9), 1.12" (28.3), 1.58" (40.1), 1.89" (48.0). Panel cutout diagrams for Open Slot (1.130" (28.7) x 1.343" (34.11)) and Snap In (1.130" x 1.130").</p>			

FL314-WB Stationary End, No Front Shelf / FL314-WSB Notched Right Shoulder Version

<p>T-8 T-12</p>	<p>FA8</p>	<ul style="list-style-type: none"> <li>- Made from white polycarbonate</li> <li>- For T6 - T12 lamps</li> <li>- "-WSB" version has notched right snap-in shoulder</li> <li>- Used in residential, commercial and industrial applications, and in outdoor enclosed signs</li> <li>- Quick connect push-in wire terminals accept 18 AWG solid or solder dipped leads, stripped 3/8"</li> </ul>	<ul style="list-style-type: none"> <li>- Recessed wire wells completely enclose wires</li> <li>- Designed for snap-in or slide-in mounting</li> <li>- Rated 660W, 600V Fixed End</li> <li>- cCSAus Certified / cULus Listed</li> </ul>
<p>Technical drawings showing dimensions: 1.17" (29.8), 1.12" (28.6), 18-22 ga, 0.31" (8.0), 1.49" (37.9), 1.12" (28.3), 1.58" (40.1), 1.89" (48.0). Panel cutout diagrams for Open Slot (1.130" (28.7) x 1.343" (34.11)) and Snap In (1.130" x 1.130").</p>			

**FA8 BASE**

F3

**FL315-W** Plunger End Slimline Lampholder

<p>T-8 T-12</p> <p>FA8</p>	<ul style="list-style-type: none"> <li>- Made from white polycarbonate</li> <li>- For T6, T8 or T12 lamps</li> <li>- Used in residential, commercial and industrial applications, and in outdoor enclosed signs</li> <li>- Add "C" for captive nut</li> <li>- Quick connect push-in wire terminals accept 18 AWG solid or solder dipped leads, stripped 3/8"</li> </ul>	<ul style="list-style-type: none"> <li>- Recessed wire wells completely enclose wires</li> <li>- Designed for snap-in or slide-in mounting</li> <li>- Plunger lampholders have non-sticking feature, loaded to hold lamp securely</li> <li>- Rated 1,000W, 600V Spring End</li> <li>- cCSAus Certified / cULus Listed</li> </ul>
		<p>PANEL CUTOUT</p>

**FL315-WB** Plunger End, No Front Shelf / **FL315-WSB** Notched Right Shoulder Version

<p>T-8 T-12</p> <p>FA8</p>	<ul style="list-style-type: none"> <li>- Made from white polycarbonate</li> <li>- For T6 - T12 lamps</li> <li>- "-WSB" version has notched right snap-in shoulder</li> <li>- Used in residential, commercial and industrial applications, and in outdoor enclosed signs</li> <li>-- Quick connect push-in wire terminals accept 18 AWG solid or solder dipped leads, stripped 3/8"</li> </ul>	<ul style="list-style-type: none"> <li>- Recessed wire wells completely enclose wires</li> <li>- Designed for snap-in or slide-in mounting</li> <li>- Plunger lampholders have non-sticking feature, loaded to hold lamp securely</li> <li>- Rated 1,000W, 600V Spring End</li> <li>- cCSAus Certified / cULus Listed</li> </ul>
		<p>PANEL CUTOUT</p>

HO FLUORESCENT  
FA8

FOR MORE INFORMATION PLEASE CALL 1-800-661-9610 (HEAD OFFICE) 1-888-762-5384 (USA)

PLEASE CONSULT THE FACTORY FOR MORE PRODUCTS AND CUSTOMIZATION.  
PRODUCT DETAILS AND SPECIFICATIONS ARE SUBJECT TO CHANGE WITHOUT NOTICE.



## R17D BASE

### FL540-W Butt-on Plunger End, Wire Leads, for 800mA and 1500mA Lamps

<p><b>T-12</b></p>	<p><b>R17D</b></p>	<ul style="list-style-type: none"> <li>- Body made from PC material</li> <li>- Silver plated Phosphor Bronze contacts</li> <li>- Plunger end of set, both are required</li> <li>- 9" 18AWG TEW AWN 105°C wire leads, stripped 1/2" or per customer specifications</li> <li>- Neoprene "O" ring gasket</li> </ul>	<ul style="list-style-type: none"> <li>- Mounts using (2) 6/32" screws into socket</li> <li>- Rated 600V 660W or 1000V 660W for non-home use</li> <li>- Certified for outdoor use in enclosed fixtures</li> <li>- cCSAus and cULus listed</li> </ul>

### FL541-W Fixed End, Wire Leads, for 800 and 1500mA Lamps

<p><b>T-12</b></p>	<p><b>R17D</b></p>	<ul style="list-style-type: none"> <li>- Body made from PC material</li> <li>- Silver plated Phosphor Bronze contacts</li> <li>- Fixed end of set, both are required</li> <li>- 9" 18AWG TEW AWN 105°C wire leads, stripped 1/2" or per customer specifications</li> <li>- Neoprene "O" ring gasket</li> </ul>	<ul style="list-style-type: none"> <li>- Mounts using (2) 6/32" screws into socket</li> <li>- Rated 600V 660W or 1000V 660W for non-home use</li> <li>- Certified for outdoor use in enclosed fixtures</li> <li>- cCSAus and cULus listed</li> </ul>

### FL630-L Spring End, Wire Leads for 800 and 1500mA Lamps

<p><b>T-12</b></p>	<p><b>R17D</b></p>	<ul style="list-style-type: none"> <li>- Body made from PC material</li> <li>- Silver plated Phosphor Bronze contacts</li> <li>- Spring end of set, both are required</li> <li>- 9" 18AWG TEW AWN 105°C wire leads, stripped 1/2" or per customer specifications</li> <li>- Neoprene "O" ring gasket</li> </ul>	<ul style="list-style-type: none"> <li>- Mounts into "D" hole in panel</li> <li>- For .036" to .048" panel thickness</li> <li>- Available in vertical or horizontal contacts</li> <li>- Rated 600V 660W or 1000V 660W for non-home use</li> <li>- Certified for outdoor use in enclosed fixtures</li> <li>- cCSAus and cULus listed</li> </ul>



R17D BASE

FL630-PI Spring End, Push-in Terminals for 800mA and 1500mA Lamps

<p>T-12</p> <p>R17D</p>	<ul style="list-style-type: none"> <li>- Body made from PC material</li> <li>- Silver plated Phosphor Bronze contacts</li> <li>- Spring end of set, both are required</li> <li>- Push-in terminals for solid ballast wires direct into the lampholder, no extra connections</li> <li>- Neoprene "O" ring gasket</li> <li>- Mounts into "D" hole in panel</li> </ul> <ul style="list-style-type: none"> <li>- For .036" to .048" panel thickness</li> <li>- Available in vertical or horizontal contacts</li> <li>- Rated 600V 660W or 1000V 660W for non-home use</li> <li>- Certified for outdoor use in enclosed fixtures</li> <li>- cCSAus and cULus listed</li> </ul>
	<p>Technical drawings for FL630-PI showing front, side, and panel cutout views with dimensions in inches and millimeters.</p>

FL631-L Fixed End, Wire Leads, for 800 and 1500mA Lamps

<p>T-12</p> <p>R17D</p>	<ul style="list-style-type: none"> <li>- Body made from PC material</li> <li>- Silver plated Phosphor Bronze contacts</li> <li>- Fixed end of set, both are required</li> <li>- 9" 18AWG TEW AWN 105°C wire leads, stripped 1/2" or per customer specifications</li> <li>- Neoprene "O" ring gasket</li> <li>- Mounts into "D" hole in panel</li> </ul> <ul style="list-style-type: none"> <li>- For .036" to .048" panel thickness</li> <li>- Available in vertical or horizontal contacts</li> <li>- Rated 600V 660W or 1000V 660W for non-home use</li> <li>- Certified for outdoor use in enclosed fixtures</li> <li>- cCSAus and cULus listed</li> </ul>
	<p>Technical drawings for FL631-L showing front, side, and panel cutout views with dimensions in inches and millimeters.</p>

FL631-PI Fixed End, Push-in Terminals, for 800 and 1500mA Lamps

<p>T-12</p> <p>R17D</p>	<ul style="list-style-type: none"> <li>- Body made from PC material</li> <li>- Silver plated Phosphor Bronze contacts</li> <li>- Fixed end of set, both are required</li> <li>- Push-in terminals for solid ballast wires direct into the lampholder, no extra connections</li> <li>- Neoprene "O" ring gasket</li> <li>- Mounts into "D" hole in panel</li> </ul> <ul style="list-style-type: none"> <li>- For .036" to .048" panel thickness</li> <li>- Available in vertical or horizontal contacts</li> <li>- Rated 600V 660W or 1000V 660W for non-home use</li> <li>- Certified for outdoor use in enclosed fixtures</li> <li>- cCSAus and cULus listed</li> </ul>
	<p>Technical drawings for FL631-PI showing front, side, and panel cutout views with dimensions in inches and millimeters.</p>

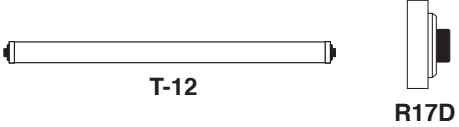
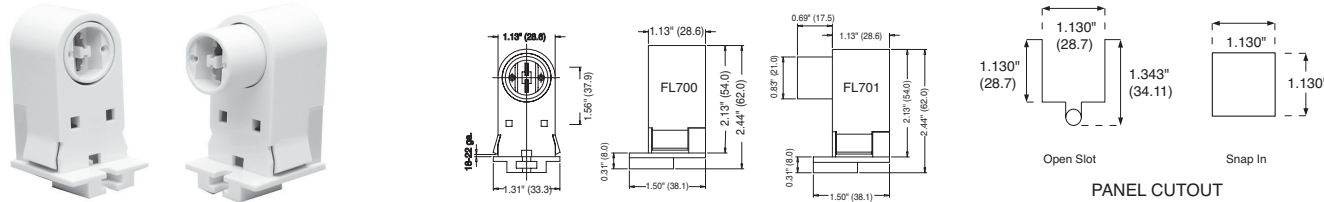
FOR MORE INFORMATION PLEASE CALL 1-800-661-9610 (HEAD OFFICE) 1-888-762-5384 (USA)

PLEASE CONSULT THE FACTORY FOR MORE PRODUCTS AND CUSTOMIZATION.  
PRODUCT DETAILS AND SPECIFICATIONS ARE SUBJECT TO CHANGE WITHOUT NOTICE.

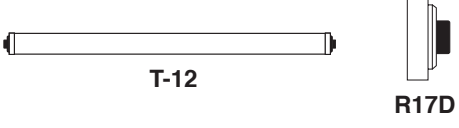
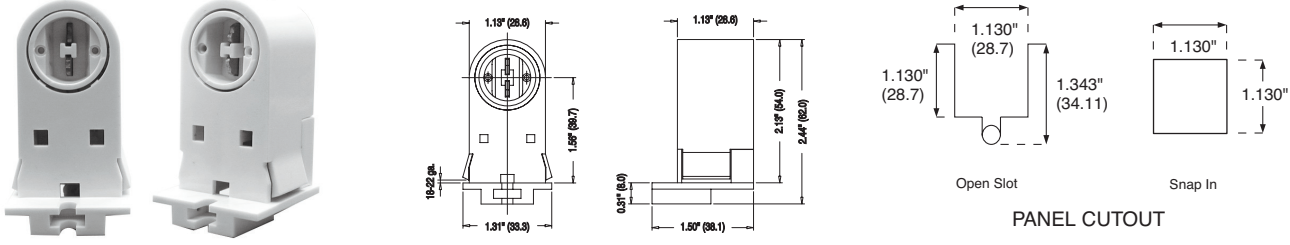


## R17D BASE

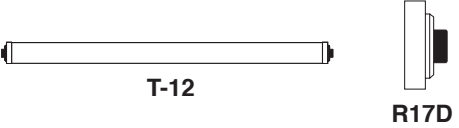
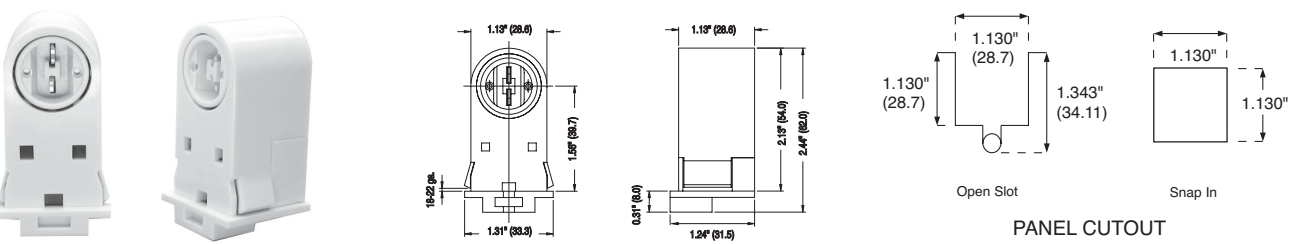
### FL700W / 701W Tall Profile Lampholder Set

 <p>T-12</p> <p>R17D</p>	<ul style="list-style-type: none"> <li>- Made from Polycarbonate</li> <li>- For 60W - 112W lamps</li> <li>- Flexible snap-in wings for quick, easy insertion into panel</li> <li>- Snap-in/Slot-in mount, available with captive nuts for screw mount</li> <li>- Quick connect push-in wire terminals accept 18 AWG solid or solder dipped leads, stripped 3/8"</li> </ul> <ul style="list-style-type: none"> <li>- Vertical contacts</li> <li>- Two wire ports per terminal to speed harness wiring</li> <li>- Rated 600V 660W or 1000V 660W for non-home use</li> <li>- Certified for outdoor use in enclosed fixtures</li> <li>- cCSAus and cULus listed</li> </ul>
 <p>PANEL CUTOUT</p> <p>Open Slot: 1.130" (28.7) x 1.343" (34.11)</p> <p>Snap In: 1.130" x 1.130"</p>	

### FL700-W Fixed End Lampholder, Tall Profile

 <p>T-12</p> <p>R17D</p>	<ul style="list-style-type: none"> <li>- Made from Polycarbonate</li> <li>- For 60W - 112W lamps</li> <li>- Flexible snap-in wings for quick, easy insertion into panel</li> <li>- Snap-in/Slot-in mount, available with captive nuts for screw mount</li> <li>- Quick connect push-in wire terminals accept 18 AWG solid or solder dipped leads, stripped 3/8"</li> </ul> <ul style="list-style-type: none"> <li>- Vertical contacts</li> <li>- Two wire ports per terminal to speed harness wiring</li> <li>- Rated 660W, 600V Fixed End</li> <li>- cCSAus Certified / cULus Listed</li> </ul>
 <p>PANEL CUTOUT</p> <p>Open Slot: 1.130" (28.7) x 1.343" (34.11)</p> <p>Snap In: 1.130" x 1.130"</p>	

### FL700-WB Fixed End Lampholder, No Front Shelf

 <p>T-12</p> <p>R17D</p>	<ul style="list-style-type: none"> <li>- Made from Polycarbonate</li> <li>- For 60W - 112W lamps</li> <li>- Flexible snap-in wings for quick, easy insertion into panel</li> <li>- Snap-in/Slot-in mount, available with captive nuts for screw mount</li> <li>- Quick connect push-in wire terminals accept 18 AWG solid or solder dipped leads, stripped 3/8"</li> </ul> <ul style="list-style-type: none"> <li>- Vertical contacts</li> <li>- Two wire ports per terminal to speed harness wiring</li> <li>- Rated 660W, 600V Spring End</li> <li>- cCSAus Certified / cULus Listed</li> </ul>
 <p>PANEL CUTOUT</p> <p>Open Slot: 1.130" (28.7) x 1.343" (34.11)</p> <p>Snap In: 1.130" x 1.130"</p>	

**R17D BASE**

**FL701-W** Plunger End Lampholder, Tall Profile

<p>T-12</p>	<p>R17D</p>	<ul style="list-style-type: none"> <li>- Made from Polycarbonate</li> <li>- For 60W - 112W lamps</li> <li>- Flexible snap-in wings for quick, easy insertion into panel</li> <li>- Snap-in/Slot-in mount, available with captive nuts for screw mount</li> <li>- Quick connect push-in wire terminals</li> </ul>	<ul style="list-style-type: none"> <li>accept 18 AWG solid or solder dipped leads, stripped 3/8"</li> <li>- Vertical contacts</li> <li>- Two wire ports per terminal to speed harness wiring</li> <li>- Rated 660W, 600V Spring End</li> <li>- cCSAus Certified / cULus Listed</li> </ul>		
		<p>1.13" (28.6) 0.69" (17.5) 1.13" (28.6) 0.83" (21.0) 1.56" (39.7) 2.13" (54.0) 2.44" (62.0) 18-22 ga. 1.31" (33.3) 0.31" (8.0) 1.50" (38.1)</p>		<p>1.130" (28.7) 1.130" (28.7) 1.343" (34.11) 1.130" (28.7)</p> <p>Open Slot Snap In</p> <p>PANEL CUTOUT</p>	

**FL701-WB** Plunger End, No Front Shelf

<p>T-12</p>	<p>R17D</p>	<ul style="list-style-type: none"> <li>- Made from Polycarbonate</li> <li>- For 60W - 112W lamps</li> <li>- Flexible snap-in wings for quick, easy insertion into panel</li> <li>- Snap-in/Slot-in mount, available with captive nuts for screw mount</li> <li>- Quick connect push-in wire terminals</li> </ul>	<ul style="list-style-type: none"> <li>accept 18 AWG solid or solder dipped leads, stripped 3/8"</li> <li>- Vertical contacts</li> <li>- Two wire ports per terminal to speed harness wiring</li> <li>- Rated 660W, 600V Spring End</li> <li>- cCSAus Certified / cULus Listed</li> </ul>		
		<p>1.13" (28.6) 0.69" (17.5) 1.13" (28.6) 0.83" (21.0) 1.56" (39.7) 2.13" (54.0) 2.44" (62.0) 18-22 ga. 1.31" (33.3) 0.31" (8.0) 1.24" (31.5)</p>		<p>1.130" (28.7) 1.130" (28.7) 1.343" (34.11) 1.130" (28.7)</p> <p>Open Slot Snap In</p> <p>PANEL CUTOUT</p>	

**FL703-W** Fixed End Lampholder

<p>T-12</p>	<p>R17D</p>	<ul style="list-style-type: none"> <li>- Made from Polycarbonate</li> <li>- For 60W - 112W lamps</li> <li>- Flexible snap-in wings for quick, easy insertion into panel</li> <li>- Snap-in/Slot-in mount, available with captive nuts for screw mount</li> <li>- Quick connect push-in wire terminals</li> </ul>	<ul style="list-style-type: none"> <li>accept 18 AWG solid or solder dipped leads, stripped 3/8"</li> <li>- Horizontal contacts</li> <li>- Two wire ports per terminal to speed harness wiring</li> <li>- Rated 660W, 600V Fixed End</li> <li>- cCSAus Certified / cULus Listed</li> </ul>		
		<p>1.13" (28.6) 1.13" (28.6) 1.56" (39.7) 2.13" (54.0) 2.44" (62.0) 18-22 ga. 1.31" (33.3) 0.31" (8.0) 1.50" (38.1)</p>		<p>1.130" (28.7) 1.130" (28.7) 1.343" (34.11) 1.130" (28.7)</p> <p>Open Slot Snap In</p> <p>PANEL CUTOUT</p>	

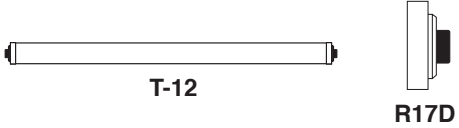
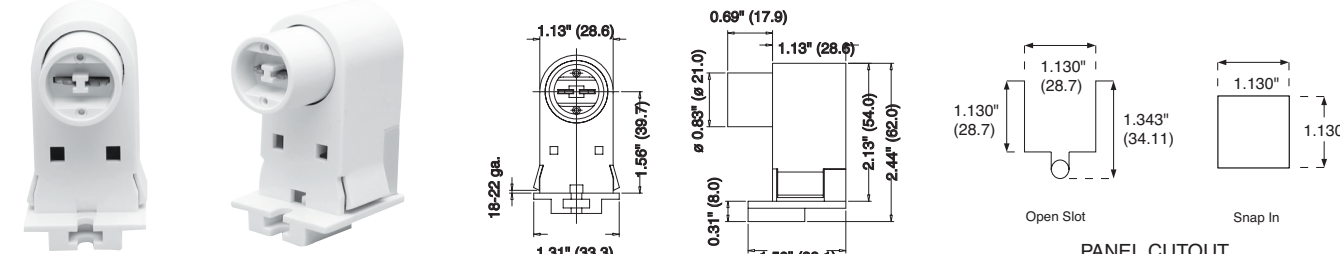
FOR MORE INFORMATION PLEASE CALL 1-800-661-9610 (HEAD OFFICE) 1-888-762-5384 (USA)

PLEASE CONSULT THE FACTORY FOR MORE PRODUCTS AND CUSTOMIZATION. PRODUCT DETAILS AND SPECIFICATIONS ARE SUBJECT TO CHANGE WITHOUT NOTICE.

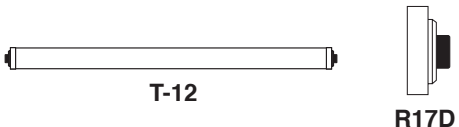
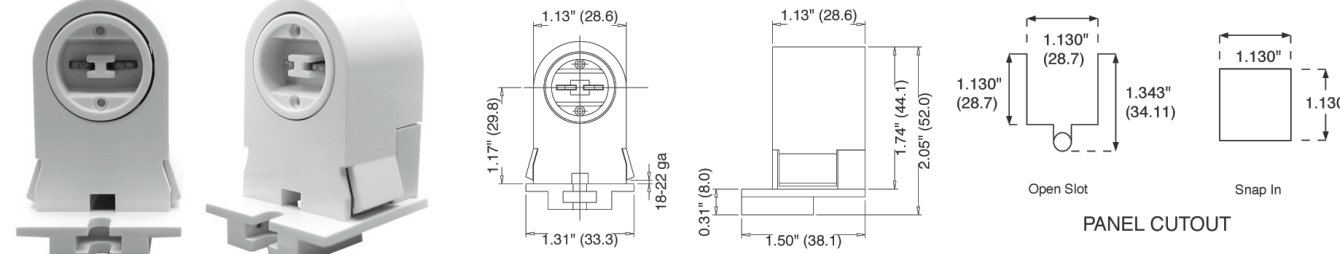


## R17D BASE

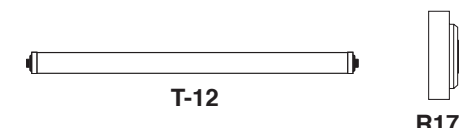
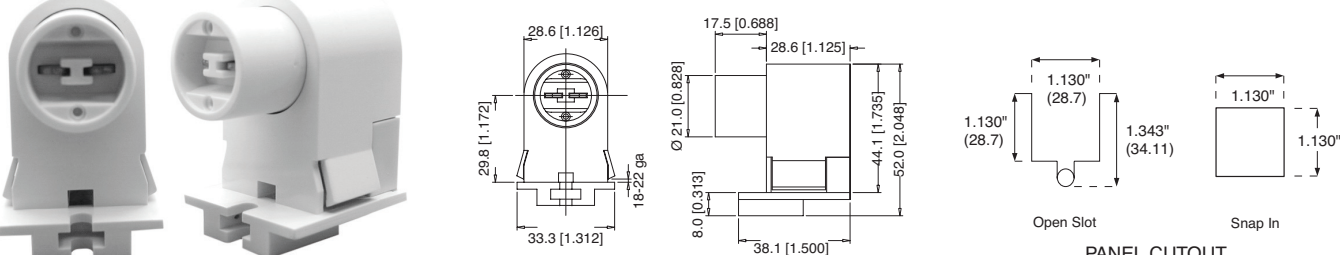
### FL704-W Plunger End Lampholder

 <p>T-12</p> <p>R17D</p>	<ul style="list-style-type: none"> <li>- Made from Polycarbonate</li> <li>- For 60W - 112W lamps</li> <li>- Flexible snap-in wings for quick, easy insertion into panel</li> <li>- Snap-in/Slot-in mount, available with captive nuts for screw mount</li> <li>- Quick connect push-in wire terminals</li> </ul>	<ul style="list-style-type: none"> <li>accept 18 AWG solid or solder dipped leads, stripped 3/8"</li> <li>- Horizontal contacts</li> <li>- Two wire ports per terminal to speed harness wiring</li> <li>- Rated 660W, 600V Spring End</li> <li>- cCSAus Certified / cULus Listed</li> </ul>
 <p>1.13" (28.6)</p> <p>0.69" (17.9)</p> <p>1.13" (28.6)</p> <p>0.83" (Ø 21.0)</p> <p>1.130" (28.7)</p> <p>1.343" (34.11)</p> <p>1.130"</p> <p>1.343" (34.11)</p> <p>1.130"</p> <p>1.130"</p> <p>18-22 ga.</p> <p>1.56" (39.7)</p> <p>1.31" (33.3)</p> <p>0.31" (8.0)</p> <p>2.13" (54.0)</p> <p>2.44" (62.0)</p> <p>1.50" (38.1)</p> <p>Open Slot</p> <p>Snap In</p> <p>PANEL CUTOUT</p>		

### FL705-W Fixed End Lampholder, Short Profile

 <p>T-12</p> <p>R17D</p>	<ul style="list-style-type: none"> <li>- Made from Polycarbonate</li> <li>- For 60W - 112W lamps</li> <li>- Flexible snap-in wings for quick, easy insertion into panel</li> <li>- Snap-in/Slot-in mount, available with captive nuts for screw mount</li> <li>- Quick connect push-in wire terminals</li> <li>accept 18 AWG solid or solder dipped</li> </ul>	<ul style="list-style-type: none"> <li>leads, stripped 3/8"</li> <li>- Horizontal Contact; Vertical Contact Available order FL705-WCV</li> <li>- Two wire ports per terminal to speed harness wiring</li> <li>- Rated 660W, 600V on Fixed End</li> <li>- cCSAus Certified / cULus Listed</li> </ul>
 <p>1.13" (28.6)</p> <p>1.13" (28.6)</p> <p>1.130" (28.7)</p> <p>1.343" (34.11)</p> <p>1.130"</p> <p>1.130"</p> <p>1.343" (34.11)</p> <p>1.130"</p> <p>1.130"</p> <p>1.17" (29.8)</p> <p>1.74" (44.1)</p> <p>1.50" (38.1)</p> <p>2.05" (52.0)</p> <p>18-22 ga.</p> <p>0.31" (8.0)</p> <p>1.31" (33.3)</p> <p>Open Slot</p> <p>Snap In</p> <p>PANEL CUTOUT</p>		

### FL706-W Plunger End Lampholder, Short Profile

 <p>T-12</p> <p>R17D</p>	<ul style="list-style-type: none"> <li>- Made from Polycarbonate</li> <li>- For 60W - 112W lamps</li> <li>- Flexible snap-in wings for quick, easy insertion into panel</li> <li>- Snap-in/Slot-in mount, available with captive nuts for screw mount</li> <li>- Quick connect push-in wire terminals</li> <li>accept 18 AWG solid or solder dipped</li> </ul>	<ul style="list-style-type: none"> <li>leads, stripped 3/8"</li> <li>- Horizontal Contact; Vertical Contact Available order FL706-WCV</li> <li>- Two wire ports per terminal to speed harness wiring</li> <li>- Rated 660W, 600V on Spring End</li> <li>- cCSAus Certified / cULus Listed</li> </ul>
 <p>28.6 [1.126]</p> <p>17.5 [0.688]</p> <p>28.6 [1.125]</p> <p>1.130" (28.7)</p> <p>1.343" (34.11)</p> <p>1.130"</p> <p>1.130"</p> <p>29.8 [1.172]</p> <p>8.0 [0.313]</p> <p>33.3 [1.312]</p> <p>18-22 ga.</p> <p>Ø 21.0 [0.828]</p> <p>44.1 [1.735]</p> <p>52.0 [2.048]</p> <p>38.1 [1.500]</p> <p>Open Slot</p> <p>Snap In</p> <p>PANEL CUTOUT</p>		

HO FLUORESCENT

R17D

R17D BASE

FL707-W Fixed End Lampholder, Short Profile

<p>T-12</p>	<p>R17D</p>	<ul style="list-style-type: none"> <li>- Made from Polycarbonate</li> <li>- For 60W - 112W lamps</li> <li>- Flexible snap-in wings for quick, easy insertion into panel</li> <li>- Snap-in/Slot-in mount, available with captive nuts for screw mount</li> <li>- Quick connect push-in wire terminals</li> </ul>	<ul style="list-style-type: none"> <li>accept 18 AWG solid or solder dipped leads, stripped 3/8"</li> <li>- Horizontal Clip Type Contact</li> <li>- Two wire ports per terminal to speed harness wiring</li> <li>- Rated 660W, 600V on Fixed End</li> <li>- cCSAus Certified / cULus Listed</li> </ul>
			<p>PANEL CUTOUT</p>

FL708-W Plunger End Lampholder, Short Profile

<p>T-12</p>	<p>R17D</p>	<ul style="list-style-type: none"> <li>- Made from Polycarbonate</li> <li>- For 60W - 112W lamps</li> <li>- Flexible snap-in wings for quick, easy insertion into panel</li> <li>- Snap-in/Slot-in mount, available with captive nuts for screw mount</li> <li>- Quick connect push-in wire terminals</li> </ul>	<ul style="list-style-type: none"> <li>accept 18 AWG solid or solder dipped leads, stripped 3/8"</li> <li>- Horizontal Clip Type Contact</li> <li>- Two wire ports per terminal to speed harness wiring</li> <li>- Rated 660W, 600V on Spring End</li> <li>- cCSAus Certified / cULus Listed</li> </ul>
			<p>PANEL CUTOUT</p>

FLSA-12PG-PI Fixed End, Push-in Terminals for 800 and 1500mA Lamps

<p>T-12</p>	<p>R17D</p>	<ul style="list-style-type: none"> <li>- Body made from PC material</li> <li>- Silver plated Phosphor Bronze contacts</li> <li>- Stationary end of set, both are required</li> <li>- Push-in terminals for solid ballast wires direct into the lampholder, no extra connections</li> <li>- Neoprene "O" ring gasket</li> <li>- Snap in mount into panel</li> </ul>	<ul style="list-style-type: none"> <li>- Recommended panel thickness .0312" to .0625"</li> <li>- Rated 600V 660W or 1000V 660W for non-home use</li> <li>- Certified for outdoor use in enclosed fixtures</li> <li>- cCSAus Certified / cULus Listed</li> </ul>
			<p>PANEL CUTOUT</p>

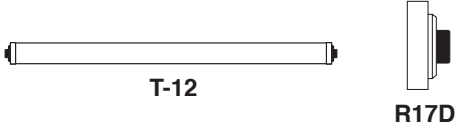
FOR MORE INFORMATION PLEASE CALL 1-800-661-9610 (HEAD OFFICE) 1-888-762-5384 (USA)

PLEASE CONSULT THE FACTORY FOR MORE PRODUCTS AND CUSTOMIZATION.  
PRODUCT DETAILS AND SPECIFICATIONS ARE SUBJECT TO CHANGE WITHOUT NOTICE.



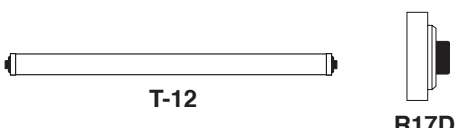
R17D BASE

**FLSA-12PG-9L** Fixed End, Wire Leads, for 800 and 1500mA Lamps

 <p>T-12</p> <p>R17D</p>	<ul style="list-style-type: none"> <li>- Body made from PC material</li> <li>- Silver plated Phosphor Bronze contacts</li> <li>- Stationary end of set, both are required</li> <li>- 9" 18AWG TEW AWN 105°C wire leads, stripped 1/2" or per customer specifications</li> <li>- Neoprene "O" ring gasket</li> <li>- Snap in mount into panel</li> </ul> <ul style="list-style-type: none"> <li>- Recommended panel thickness .0312" to .0625"</li> <li>- Rated 600V 660W or 1000V 660W for non-home use</li> <li>- Certified for outdoor use in enclosed fixtures</li> <li>- cCSAus Certified / cULus Listed</li> </ul>

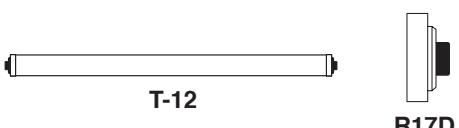
HO FLUORESCENT

**FLSE-12PG-PI** Spring End, Push-in Terminals, for 800mA and 1500mA Lamps

 <p>T-12</p> <p>R17D</p>	<ul style="list-style-type: none"> <li>- Body made from PC material</li> <li>- Silver plated Phosphor Bronze contacts</li> <li>- Spring end of set, both are required</li> <li>- Push-in terminals for solid ballast wires direct into the lampholder, no extra connections</li> <li>- Neoprene "O" ring gasket</li> <li>- Snap in mount into panel</li> </ul> <ul style="list-style-type: none"> <li>- Recommended panel thickness .0312" to .0625"</li> <li>- Rated 600V 660W or 1000V 660W for non-home use</li> <li>- Certified for outdoor use in enclosed fixtures</li> <li>- cCSAus Certified / cULus Listed</li> </ul>

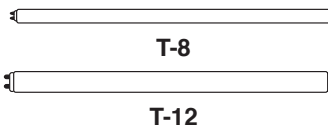


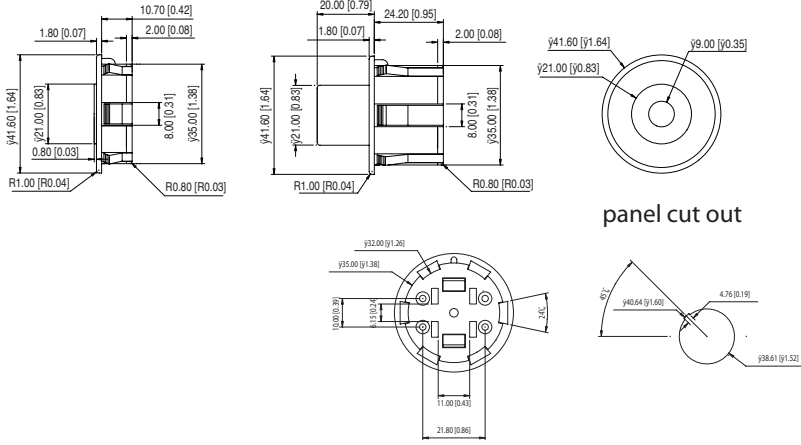
R17D

**FLSE-12PG-9L** Spring End, Wire Leads, for 800 and 1500mA Lamps

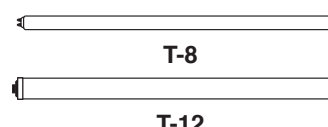


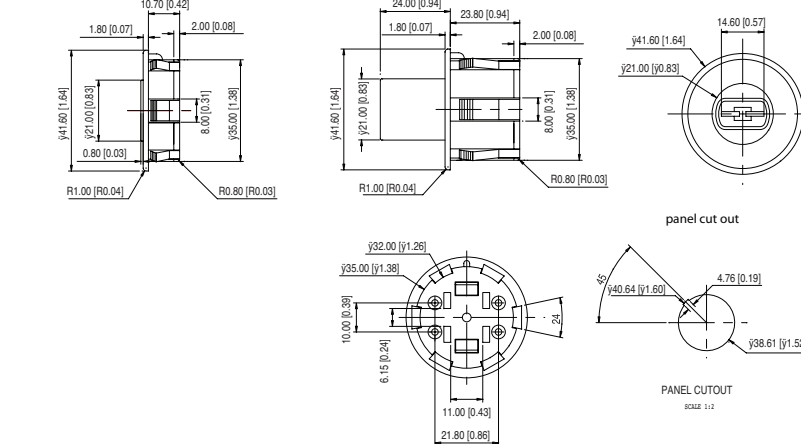
 <p>T-12</p> <p>R17D</p>	<ul style="list-style-type: none"> <li>- Body made from PC material</li> <li>- Silver plated Phosphor Bronze contacts</li> <li>- Spring end of set, both are required</li> <li>- 9" 18AWG TEW AWN 105°C wire leads, stripped 1/2" or per customer specifications</li> <li>- Neoprene "O" ring gasket</li> <li>- Snap in mount into panel</li> </ul> <ul style="list-style-type: none"> <li>- Rated 600V 660W or 1000V 660W for non-home use</li> <li>- Certified for outdoor use in enclosed fixtures</li> <li>- cCSAus Certified / cULus Listed</li> </ul>

**TURRET LAMPHOLDER**

**FL516** Slimline Plunger End / **FL517** Slimline Fixed End

 <p>T-8 T-12</p>  <p>SLIMLINE</p>	<ul style="list-style-type: none"> <li>- These updated lampholders are made polycarbonate</li> <li>- Ideal for retail, commercial, signage and industrial applications</li> <li>- Keyway provides proper orientation and secures lampholder</li> <li>- Quickwire terminals accept 18 AWG solid or bonded copper wire, strip</li> </ul> <ul style="list-style-type: none"> <li>- For panel thicknesses from 0.035" to 0.050" ( .9mm to 1.3mm )</li> <li>- Easily snaps into panel for quick assembly</li> <li>- Wires from the back of the lampholder</li> <li>- Two wire ports per terminal</li> <li>- Rated 660W 600V</li> <li>- c UL us, c CSA us listed</li> </ul>
  <p>panel cut out</p>	

**FL523** High Output 800mA - 1500mA Plunger End / **FL524** High Output 800mA - 1500mA Fixed End

 <p>T-8 T-12</p>  <p>R17D</p>	<ul style="list-style-type: none"> <li>- These updated lampholders are made polycarbonate</li> <li>- Ideal for retail, commercial, signage and industrial applications</li> <li>- Keyway provides proper orientation and secures lampholder</li> <li>- Quickwire terminals accept 18 AWG solid or bonded copper wire, strip</li> </ul> <ul style="list-style-type: none"> <li>- For panel thicknesses from 0.035" to 0.050" ( .9mm to 1.3mm )</li> <li>- Easily snaps into panel for quick assembly</li> <li>- Wires from the back of the lampholder</li> <li>- Two wire ports per terminal</li> <li>- FL524 is rated at 1000W 600V</li> <li>- c UL us, c CSA us listed</li> </ul>
  <p>panel cut out</p> <p>PANEL CUTOUT SCALE 1:2</p>	

FOR MORE INFORMATION PLEASE CALL 1-800-661-9610 (HEAD OFFICE) 1-888-762-5384 (USA)

PLEASE CONSULT THE FACTORY FOR MORE PRODUCTS AND CUSTOMIZATION.  
PRODUCT DETAILS AND SPECIFICATIONS ARE SUBJECT TO CHANGE WITHOUT NOTICE.

TURRET LAMPHOLDERS FOR HEAVY DUTY INDUSTRIAL AND COMMERCIAL USE

- Updated design, lampholders are made of all polycarbonate construction for great impact strength and easily snaps into the panel for assembly
- Heavy duty steel front socket plate with reinforced bracket.
- Slide on mounting for quick installation
- Solid key which eliminates sockets rotating in the panel
- All models use same mounting holes for all types
- Double wire connections on each wire terminal.
- Rated 660W 600V
- Baked powder coat white finish on front plates and metal cans
- Available with metal or plastic back enclosure cans
- Available in deep or shallow can versions
- Available unwired and prewired, for faster connections
- Strong turret springs to maintain good pressure on lamp contacts
- Wire release slots for easy rewiring
- CSA and UL Listed

Turret Lampholder Nomenclature:

SERIES	LAMP TYPE	END TYPE	NO. OF LAMPS	WIDTH OF CAN (")	TYPE OF CAN	CAN PROFILE	WIRING
FLTS-	HO - HIGH CUT	P - PLUNGER	1	7"	M - METAL	H - DEEP	U - UNWIRED
FLTS-	SL - SLIMLINE	F - FIXED	2	9"	P - PLASTIC	L - LOW	W - WIRED 9" TEWN 18 ga. LEADS EXITING THE HOUSING
FLTS-	SL - SLIMLINE POWER GROOVE		3				S - SHUNTED FOR INSTANT APPLICATION
FLTS-	T5 - G5 BASE		4				
FLTS-	T5PG - G5 BASE POWER GROOVE						
FLTS-	T8 - T8/12 G13 BASE						

To make your part number - fill in the boxes below:

FLTS -  -  -  -  -

Lamp Type
End Type
No. of Lamps
1st Digit - Width of Can  
2nd Digit - Type of Can  
3rd Digit - Can Profile
Wiring

Example: FLTS -T8-P2-9MH-U Turret T8 Plunger end, 2 lamp, 9" metal can, deep profile, unwired.

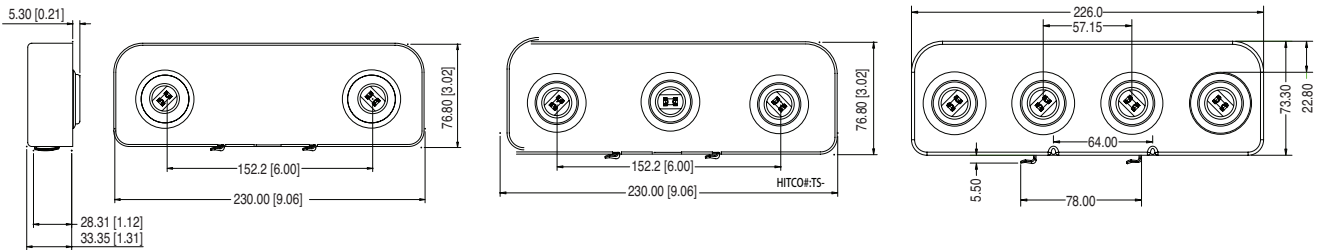
FLUORESCENT LAMPHOLDERS

**TURRET LAMPHOLDERS**

High Output - R17D



HIGH OUTPUT	DESCRIPTION
FLTS-HO-P-2-9MH	2 lite plunger end 9" deep metal can
FLTS-HO-P-2-9PH	2 lite plunger end 9" deep plastic can
FLTS-HO-F-2-9MH	2 lite fixed end 9" deep metal can
FLTS-HO-F-2-9PH	2 lite fixed end 9" deep plastic can
FLTS-HO-P-3-9MH	3 lite plunger end 9" deep metal can
FLTS-HO-P-3-9PH	3 lite plunger end 9" deep plastic can
FLTS-HO-F-3-9MH	3 lite fixed end 9" deep metal can
FLTS-HO-F-3-9PH	3 lite fixed end 9" deep plastic can
FLTS-HO-P-4-9MH	4 lite plunger end 9" deep metal can
FLTS-HO-P-4-9PH	4 lite plunger end 9" deep plastic can
FLTS-HO-F-4-9MH	4 lite fixed end 9" deep metal can
FLTS-HO-F-4-9PH	4 lite fixed end 9" deep plastic can

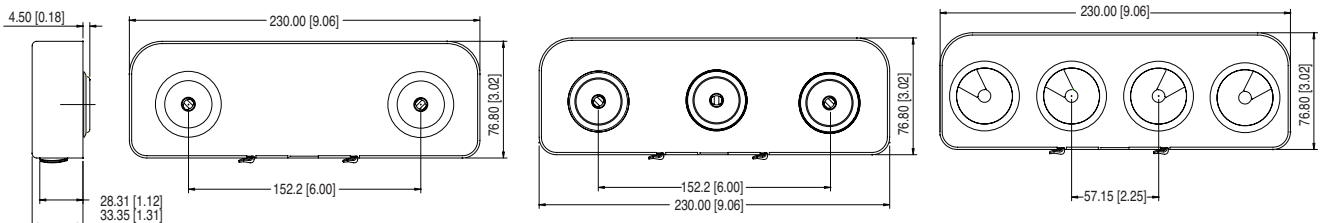


Slimline - FA8



SLIMLINE	DESCRIPTION
FLTS-SL-P-2-9MH	2 lite plunger end 9" deep metal can
FLTS-SL-P-2-9PH	2 lite plunger end 9" deep plastic can
FLTS-SL-F-2-9MH	2 lite fixed end 9" deep metal can
FLTS-SL-F-2-9PH	2 lite fixed end 9" deep plastic can
FLTS-SL-P-3-9MH	3 lite plunger end 9" deep metal can
FLTS-SL-P-3-9PH	3 lite plunger end 9" deep plastic can
FLTS-SL-F-3-9MH	3 lite fixed end 9" deep metal can
FLTS-SL-F-3-9PH	3 lite fixed end 9" deep plastic can
FLTS-SL-P-4-9MH	4 lite plunger end 9" deep metal can
FLTS-SL-P-4-9PH	4 lite plunger end 9" deep plastic can
FLTS-SL-F-4-9MH	4 lite fixed end 9" deep metal can
FLTS-SL-F-4-9PH	4 lite fixed end 9" deep plastic can

These turret lampholders are also available in a power groove version - change product code to FLTS-SLPG-X-XXX-X



FOR MORE INFORMATION PLEASE CALL 1-800-661-9610 (HEAD OFFICE) 1-888-762-5384 (USA)

PLEASE CONSULT THE FACTORY FOR MORE PRODUCTS AND CUSTOMIZATION. PRODUCT DETAILS AND SPECIFICATIONS ARE SUBJECT TO CHANGE WITHOUT NOTICE.



HO FLUORESCENT LAMPHOLDERS

TURRET LAMPHOLDERS

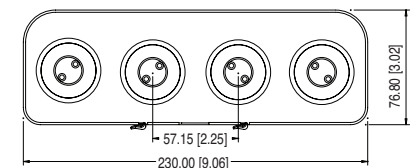
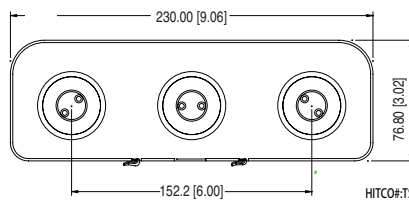
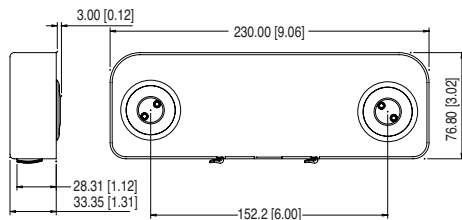
T8 / T12 Bi-Pin G13.

FLUORESCENT LAMPHOLDERS



T8 / T12	DESCRIPTION
FLTS-T8-P-2-9ML	2 lite plunger end 9" shallow metal can
FLTS-T8-P-2-9PL	2 lite plunger end 9" shallow plastic can
FLTS-T8-F-2-9ML	2 lite fixed end 9" shallow metal can
FLTS-T8-F-2-9PL	2 lite fixed end 9" shallow plastic can
FLTS-T8-P-3-9ML	3 lite plunger end 9" shallow metal can
FLTS-T8-P-3-9PL	3 lite plunger end 9" shallow plastic can
FLTS-T8-F-3-9ML	3 lite fixed end 9" shallow metal can
FLTS-T8-F-3-9PL	3 lite fixed end 9" shallow plastic can
FLTS-T8-P-4-9ML	4 lite plunger end 9" shallow metal can
FLTS-T8-P-4-9PL	4 lite plunger end 9" shallow plastic can
FLTS-T8-F-4-9ML	4 lite fixed end 9" shallow metal can
FLTS-T8-F-4-9PL	4 lite fixed end 9" shallow plastic can

**I** \* Add suffix "S" shunted for instant start applications



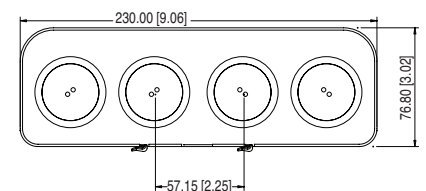
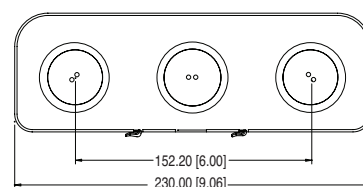
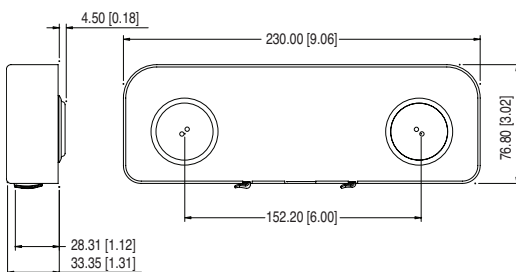
T5 Bi-Pin



T5	DESCRIPTION
FLTS-T5-P-2-9ML	2 lite plunger end 9" shallow metal can
FLTS-T5-P-2-9PL	2 lite plunger end 9" shallow plastic can
FLTS-T5-F-2-9ML	2 lite fixed end 9" shallow metal can
FLTS-T5-F-2-9PL	2 lite fixed end 9" shallow plastic can
FLTS-T5-P-3-9ML	3 lite plunger end 9" shallow metal can
FLTS-T5-P-3-9PL	3 lite plunger end 9" shallow plastic can
FLTS-T5-F-3-9ML	3 lite fixed end 9" shallow metal can
FLTS-T5-F-3-9PL	3 lite fixed end 9" shallow plastic can
FLTS-T5-P-4-9ML	4 lite plunger end 9" shallow metal can
FLTS-T5-P-4-9PL	4 lite plunger end 9" shallow plastic can
FLTS-T5-F-4-9ML	4 lite fixed end 9" shallow metal can
FLTS-T5-F-4-9PL	4 lite fixed end 9" shallow plastic can

**I** Add suffix 'S' - shunted for instant start applications.

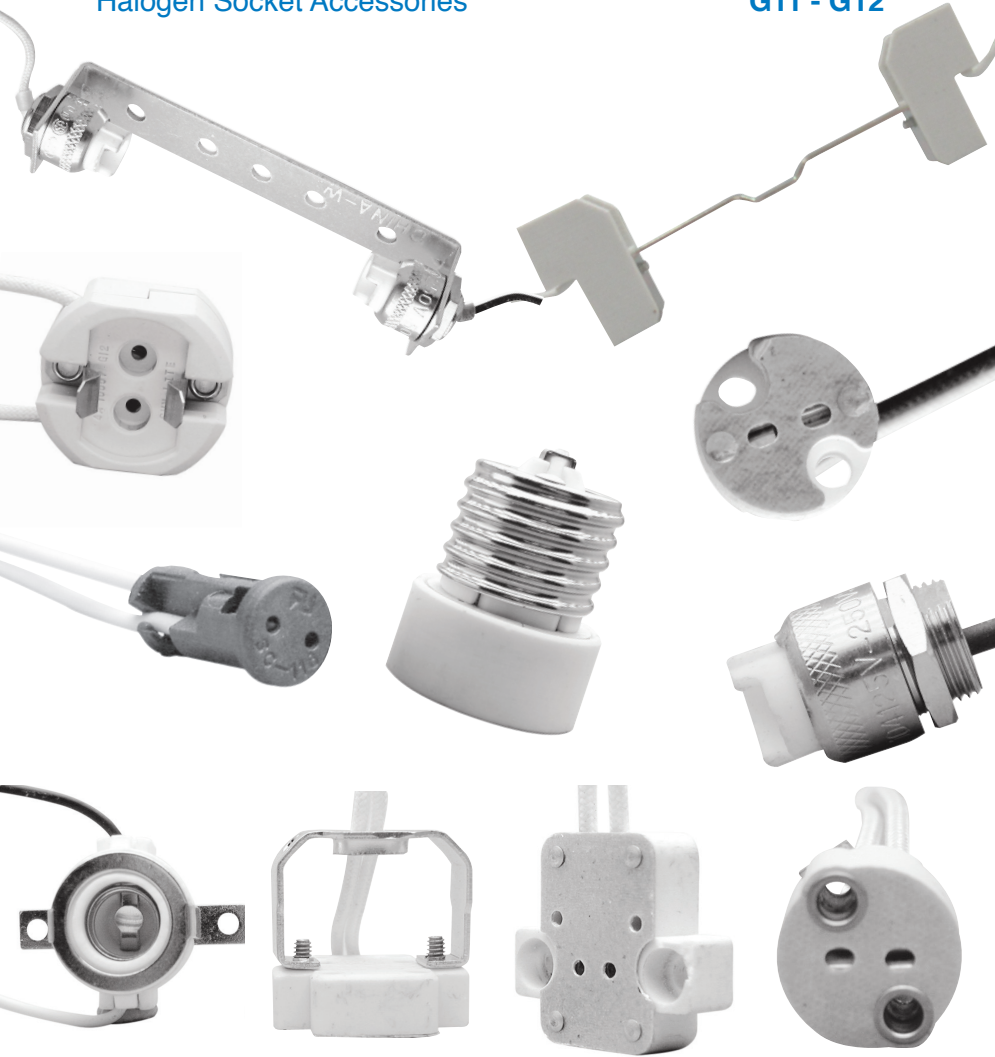
These turret lampholders are also available in a power groove version - change product code to FLTS-T5PG-X-XXX-X





# SECTION G HALOGEN LAMP HOLDERS

<a href="#">Multi-base Bi-Pin Halogen Lampholders</a>	<a href="#">G2 - G8</a>
<a href="#">BA15d/E11 Lampholders</a>	<a href="#">G8</a>
<a href="#">Double Ended R7s Halogen Lampholders</a>	<a href="#">G9 - G10</a>
<a href="#">GU-10, GZ-10 Base Lampholders</a>	<a href="#">G11</a>
<a href="#">Halogen Socket Accessories</a>	<a href="#">G11 - G12</a>



# HALOGEN LAMP HOLDERS

# MULTI-BASE BI-PIN HALOGEN LAMPHOLDERS

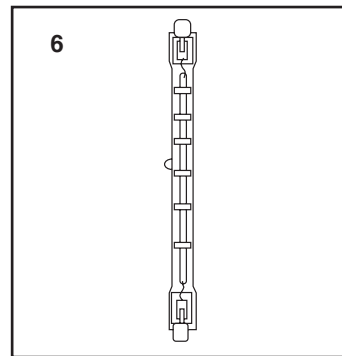
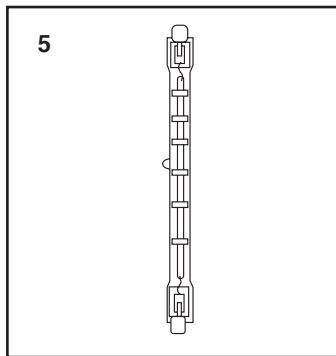
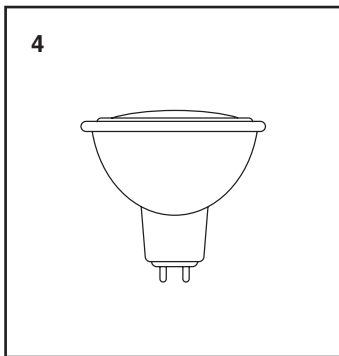
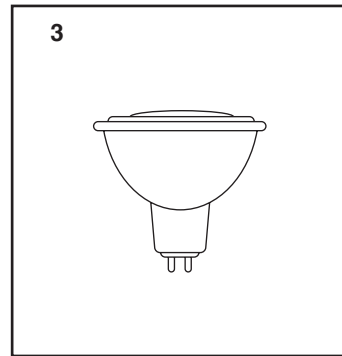
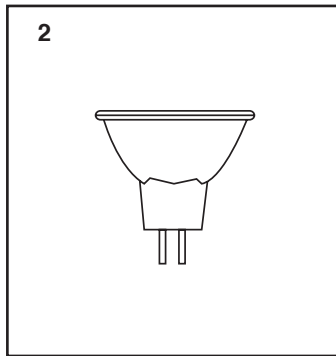
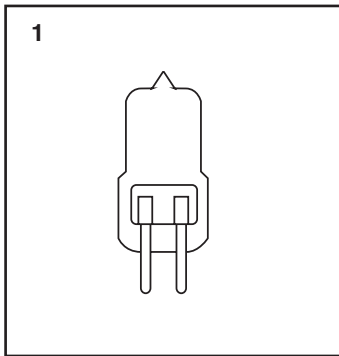
G2

## HALOGEN LAMPS

ITEM NUMBER	VOLTAGE V	WATTAGE W	LUMENS LM	COLOUR K DEG	BASE	FIGURE	BEAM SPREAD	HOURS
JC12V10WT	12	10	120	2,850	G4	1	--	2,000
JC12V20WT	12	20	350	2,850	G4	1	--	2,000
JC12V50WT	12	50	950	3,000	G6.35	2	--	2,000
MR11C-20W-FTD	12	20	700	2,925	GZ-4	3	28 DEG	2,000
MR11C-35W-FTN	12	35	1,300	2,925	GZ-4	3	28 DEG	2,000
MR16C-50W-EXT	12	50	9,800	2,900	GX5.3	4	13 DEG	3,000
MR16C-50W-EXZ	12	50	3,200	2,900	GX5.3	4	26 DEG	3,000
MR16C-50W-EXN	12	50	1,600	2,900	GX5.3	4	32 DEG	3,000

MR11/MR16 Lamps available with or without cover.  
Remove suffix "C" from part number for lamp without cover, eg: MR11-20-FTD.

ITEM NUMBER	VOLTAGE V	WATTAGE W	LUMENS LM	COLOUR K DEG	BASE	FIGURE	BEAM SPREAD	HOURS
J120-S-100W	120	100	1,600	2,900	R7s	5	78.3	1,500
J120-S-150W	120	150	2,600	2,900	R7s	5	78.3	1,500
J120-S-300W	120	300	5,400	2,900	R7s	5	78.3	2,000
J120-L-150W	120	150	2,250	2,900	R7s	6	117.6	2,000
J120-L-200W	120	200	3,400	2,900	R7s	6	117.6	2,000
J120-L-300W	120	300	5,400	2,900	R7s	6	117.6	3,000



HALOGEN

**FIXED BASE BI-PIN HALOGEN LAMPHOLDERS**

**Y01 G4 Base Lampholder Pipe Mount, Nylon**

		<b>4 MM PIN SPACING</b>	<ul style="list-style-type: none"> <li>- Copper, nickel-plated double wipe contacts</li> <li>- Available in PPS Thermoplastic or Steatite body</li> <li>- Standard lead wires are Teflon high heat 200°C, 12" long, stripped 1/2"</li> <li>- Friction mounts inside pipe diameter</li> </ul>	<ul style="list-style-type: none"> <li>- Can be used to design visually interesting points in chandeliers, downlights and display lighting</li> <li>- Rated 6A 24V</li> <li>- cULus Listed</li> </ul>

**B34-PI GX5.3 Base Lampholder Screw Mount**

		<b>5.3 MM PIN SPACING</b>	<ul style="list-style-type: none"> <li>- Round Halogen socket</li> <li>- Round Porcelain body</li> <li>- G5.3 base with push-in terminals</li> <li>- 250v 100w</li> <li>- cULus</li> </ul>	

**F53 GX5.3 Base Floating Lampholder with Reflector**

		<b>5.3 MM PIN SPACING</b>	<ul style="list-style-type: none"> <li>- Rectangular porcelain body</li> <li>- Copper, nickel-plated double wipe contacts with stainless steel reinforcing springs</li> <li>- Standard lead wires are Teflon high heat 200°C, 12" long, stripped 1/2"</li> <li>- Wire exit on side of the socket</li> <li>- Floating socket design attaches to fixed position lamp</li> </ul>	<ul style="list-style-type: none"> <li>- Other wire and terminations are available upon request, contact the factory</li> <li>- Aluminum reflector to push heat and light forward</li> <li>- Rated 8A 24V</li> <li>- cULus Listed</li> </ul>

FOR MORE INFORMATION PLEASE CALL 1-800-661-9610 (HEAD OFFICE) 1-888-762-5384 (USA)

PLEASE CONSULT THE FACTORY FOR MORE PRODUCTS AND CUSTOMIZATION. PRODUCT DETAILS AND SPECIFICATIONS ARE SUBJECT TO CHANGE WITHOUT NOTICE.

**FIXED BASE BI-PIN HALOGEN LAMPHOLDERS**

**F55 GX5.3 Base Lampholder with 1/8" IPS Hickey**

<p>MR16</p>	<p>JC</p>	<p><b>5.3 MM PIN SPACING</b></p>	<ul style="list-style-type: none"> <li>- Rectangular Steatite body with mounting ears</li> <li>- Copper, nickel-plated double wipe contacts with stainless steel reinforcing springs</li> <li>- Standard lead wires are 18 AWG SEW-1 (SF1) 200°C, 12" long, stripped 1/2"</li> </ul>	<ul style="list-style-type: none"> <li>- Has 1/8" IPS threaded hickey to secure to pipe threads, which allows for greater design flexibility</li> <li>- Rated 8A 24V</li> <li>- cULus Listed</li> </ul>

**F59 GX5.3 Base Lampholder, 2 Hole Screw Mount**

<p>MR16</p>	<p>JC</p>	<p><b>5.3 MM PIN SPACING</b></p>	<ul style="list-style-type: none"> <li>- Rectangular Steatite body with mounting ears</li> <li>- Copper, nickel-plated double wipe contacts with stainless steel reinforcing springs</li> <li>- Standard lead wires are 18 AWG SEW-1 (SF1) 200°C, 12" long, stripped 1/2"</li> </ul>	<ul style="list-style-type: none"> <li>- Has 2 mounting ears with 0.150 (3.9 mm) holes to secure socket</li> <li>- Other wire and terminations are available upon request, contact the factory</li> <li>- Rated 8A 24V</li> <li>- cULus Listed</li> </ul>

**IS126 (F58) GX5.3 Base Rectangular Lampholder**

<p>MR16</p>	<p>JC</p>	<p><b>5.3 MM PIN SPACING</b></p>	<ul style="list-style-type: none"> <li>- Rectangular porcelain body</li> <li>- Copper, nickel-plated double wipe contacts with stainless steel reinforcing springs</li> <li>- Standard lead wires are 18 AWG SEW-1 (SF1) 200°C, 12" long, stripped 1/2"</li> <li>- Wire exit on side of the socket</li> </ul>	<ul style="list-style-type: none"> <li>- Floating socket design attaches to fixed position lamp</li> <li>- Other wire and terminations are available upon request, contact the factory</li> <li>- Rated 8A 24V</li> <li>- cULus Listed</li> </ul>

**MULTI-BASE BI-PIN HALOGEN LAMPHOLDERS**

**IS128-12SEW GX5.3 Base Offset Screw Mount Lampholder**

		<p><b>5.3 MM PIN SPACING</b></p>	<ul style="list-style-type: none"> <li>- Rectangular porcelain body</li> <li>- Copper, nickel-plated double wipe contacts with stainless steel reinforcing springs</li> <li>- Standard lead wires are 18 AWG SEW-1 (SF1) 200°C, 12" long, stripped 1/2"</li> <li>- Offset holes on 2 corners of socket for fast and easy mounting</li> <li>- Wire exit from back of socket</li> <li>- Rated 8A 24V</li> <li>- cURus Recognized</li> </ul>
<p>MR16</p>	<p>JC</p>		

**C32 Multi G4 / GZ4 / GX5.3 / G6.35 / GX6.35 Base Round Lampholder, Screw Mount**

		<p><b>4 to 6.35 MM PIN SPACING</b></p>	<ul style="list-style-type: none"> <li>- Round Steatite body</li> <li>- Copper, nickel-plated double wipe contacts with stainless steel reinforcing springs</li> <li>- Standard lead wires are 18 AWG SEW-1 (SF1) 200°C, 12" long, stripped 1/2"</li> <li>- Multi-pin base provides maximum flexibility and reduces inventory costs</li> <li>- Mounts using 2 screws in recessed nests through socket body</li> <li>- Other wire types, lengths and terminations are available upon request, contact the factory</li> <li>- Rated 8A 24V</li> <li>- cULus Listed</li> </ul>
<p>MR11 + MR16</p>	<p>JC</p>		

**C36 Multi G4 / GZ4 / GX5.3 / G6.35 / GX6.35 Base Lampholder with 1/8" IPS Hickey**

		<p><b>4 to 6.35 MM PIN SPACING</b></p>	<ul style="list-style-type: none"> <li>- Round Steatite body</li> <li>- Copper, nickel-plated double wipe contacts with stainless steel reinforcing springs</li> <li>- Standard lead wires are 18 AWG SEW-1 (SF1) 200°C, 12" long, stripped 1/2"</li> <li>- Multi-pin base provides maximum flexibility and reduces inventory costs</li> <li>- Mounts on 1/8" IPS pipe through attached hickey</li> <li>- Brackets can be grounded upon request</li> <li>- Other wire types, lengths and terminations are available upon request, contact the factory</li> <li>- Rated 8A 24V</li> <li>- cULus / UL Listed</li> </ul>
<p>MR11 + MR16</p>	<p>JC</p>		

FOR MORE INFORMATION PLEASE CALL 1-800-661-9610 (HEAD OFFICE) 1-888-762-5384 (USA)

PLEASE CONSULT THE FACTORY FOR MORE PRODUCTS AND CUSTOMIZATION.  
PRODUCT DETAILS AND SPECIFICATIONS ARE SUBJECT TO CHANGE WITHOUT NOTICE.



**MULTI-BASE BI-PIN HALOGEN LAMPHOLDERS**

**C62 GX6.35 Base Lampholder with Threaded Bushings**

		<b>6.35 MM PIN SPACING</b>	<ul style="list-style-type: none"> <li>- Round Steatite body</li> <li>- Copper, nickel-plated double wipe contacts with stainless steel reinforcing springs</li> <li>- Standard lead wires are 18 AWG SEW-1 (SF1) 200°C, 12" long, stripped 1/2"</li> </ul>	<ul style="list-style-type: none"> <li>- Mounts using M3 screws into threaded bushings in socket</li> <li>- Other wire types, lengths and terminations are available upon request, contact the factory</li> <li>- Rated 8A 24V</li> <li>- cULus / UL Listed</li> </ul>

**C82 Multi G4 / GZ4 / GX5.3 / G6.35 / GX6.35 Base Round Lampholder with Threaded Bushings**

		<b>4 to 6.35 MM PIN SPACING</b>	<ul style="list-style-type: none"> <li>- Round Steatite body</li> <li>- Copper, nickel-plated double wipe contacts with stainless steel reinforcing springs</li> <li>- Standard lead wires are 18 AWG SEW-1 (SF1) 200°C, 12" long, stripped 1/2"</li> <li>- Multi-pin base provides maximum flexibility and reduces inventory costs</li> <li>- Mounts using two M3 screws in base of</li> </ul>	<ul style="list-style-type: none"> <li>mounting plate</li> <li>- Other wire and terminations are available upon request, contact the factory</li> <li>- Rated 8A 24V</li> <li>- cULus / UL Listed</li> </ul>

**H81H GX5.3 Base Lampholder with 1/8" IPS Threaded Hickey**

		<b>5.3 MM PIN SPACING</b>	<ul style="list-style-type: none"> <li>- Rectangular Steatite body</li> <li>- Copper, nickel-plated double wipe contacts with stainless steel reinforcing springs</li> <li>- Standard lead wires are 18 AWG SEW-1 (SF1) 200°C, 12" long, stripped 1/2"</li> <li>- Wires exit through the back of socket</li> </ul>	<ul style="list-style-type: none"> <li>- Other wire types, lengths and terminations are available upon request, contact the factory</li> <li>- Has 1/8" IPS threaded hickey to secure to threaded pipe, for greater design flexibility</li> <li>- Rated 8A 24V</li> <li>- cULus / UL Listed</li> </ul>



**MULTI-BASE BI-PIN HALOGEN LAMPHOLDERS**

**HLDH01-G12 G12 Base Metal Halide Lampholder Screw Mount**

<p><b>G12 LAMP</b></p>	<p><b>G12 BASE</b></p>	<ul style="list-style-type: none"> <li>- Hi heat steatite body</li> <li>- For single ended G12 Metal halide lamps</li> <li>- Ideal for display lighting, gallery, showcase applications</li> <li>- Friction mounts inside pipe diameter</li> <li>- Wires exit from side of socket</li> <li>- User notes: Keep the leads as short as possible.</li> </ul>	<ul style="list-style-type: none"> <li>- Use additional sleeving to leads to increase dielectric, abrasion and UV protection</li> <li>- Metal clips for increased lamp retention</li> <li>- Rated 1000W - 600V</li> <li>- 5KV pulse rated</li> <li>- cULus listed</li> </ul>

**Y33 Multi G4 / GZ4 / GX5.3 / G6.35 / GX6.35 Base Lampholder with Mounting Ears**

<p><b>MR11 &amp; MR16 JC</b></p>	<p><b>4 to 6.35 MM PIN SPACING</b></p>	<ul style="list-style-type: none"> <li>- Square Steatite body with mounting ears</li> <li>- Double wipe contacts</li> <li>- Standard lead wires are 18 AWG SEW-1 (SF1) 200°C, 12" long, stripped 1/2"</li> <li>- Multi-pin base provides maximum flexibility and reduces inventory costs</li> <li>- Mounts using two M3.5 screws through mounting ears on socket</li> </ul>	<ul style="list-style-type: none"> <li>- Other wire and terminations are available upon request, contact the factory</li> <li>- Can be harnessed together for linear accent lights</li> <li>- Rated 8A 24V</li> <li>- cULus listed</li> </ul>

**DF-11 Base Lampholder Push in Terminal Screw Mount**

<p><b>G9</b></p>	<ul style="list-style-type: none"> <li>- Push in wire terminal</li> <li>- Rating 500w, 250v</li> <li>- G9 halogen steatit socket with zinc ring.</li> <li>- U10 two-leg bracket, push in terminal</li> <li>- cULus listed</li> </ul>	


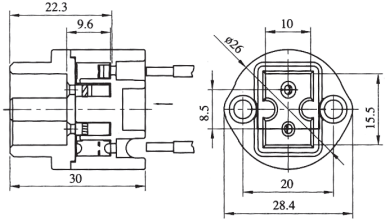
FOR MORE INFORMATION PLEASE CALL 1-800-661-9610 (HEAD OFFICE) 1-888-762-5384 (USA)

PLEASE CONSULT THE FACTORY FOR MORE PRODUCTS AND CUSTOMIZATION. PRODUCT DETAILS AND SPECIFICATIONS ARE SUBJECT TO CHANGE WITHOUT NOTICE.


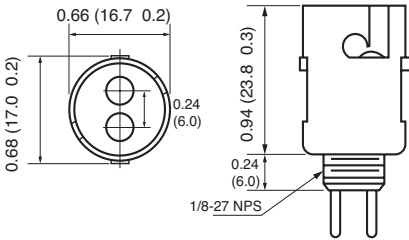


**MULTI-BASE BI-PIN HALOGEN / BA15D/E11 LAMPHOLDERS**


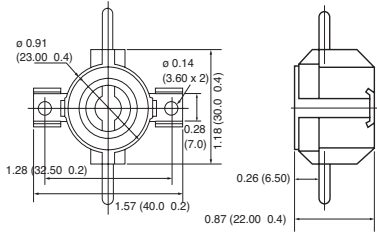
**DF-14** Base Lampholder Push in Terminal Screw Mount

<p><b>G9</b></p>	<p><b>8.5 MM PIN SPACING</b></p>	<ul style="list-style-type: none"> <li>- Steatite body</li> <li>- Push in wire terminal</li> <li>- For G base G8.5 bi pin</li> <li>- Rated 600w, 600v</li> <li>- Pulse rated 5kv</li> <li>- cULus Recognized</li> </ul>
<div style="display: flex; justify-content: space-around; align-items: center;">   </div>		

**L11** Ba15d Base Bayonet Lampholder with 1/8" IPS Male Nipple for Mounting (EDI# 22-30-12)

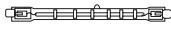
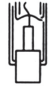

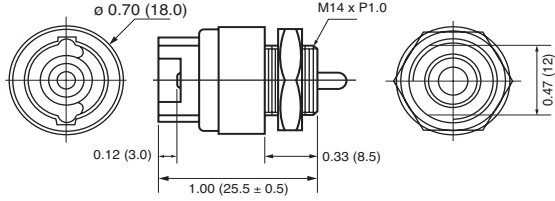
<p><b>BA15D LAMP</b></p>	<p><b>BA15D BASE</b></p>	<ul style="list-style-type: none"> <li>- Nickel plated metal shell conforms to UL requirement for stabilizing bulb against coaxial displacement</li> <li>- Steatite contact base</li> <li>- All shells are grounded independent of contacts</li> <li>- Standard lead wires are 18 AWG SEW-1 (SF1) 200°C, 12" long, stripped 1/2"</li> </ul>	<ul style="list-style-type: none"> <li>- Mounts using 1/8" IPS – 27 NPS threaded nipple</li> <li>- Other wire and terminations are available upon request, contact the factory</li> <li>- Rated 8A 24V</li> <li>- cURus Recognized</li> </ul>
<div style="display: flex; justify-content: space-around; align-items: center;">   </div>			

**T11E** E11 Minican Lampholder with Mounting Ears




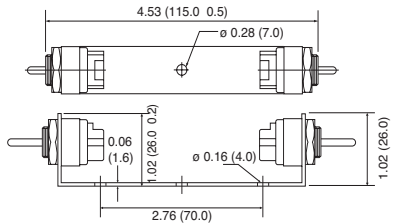
	<p><b>E11</b></p>	<ul style="list-style-type: none"> <li>- Steatite body</li> <li>- Nickel-plated brass screw shell</li> <li>- Standard lead wires are 18 AWG SEW-1 (SF1) 200°C, 12" long, stripped 1/2"</li> <li>- Mounts using 2 screws through 3.6 mm hole on mounting ears</li> </ul>	<ul style="list-style-type: none"> <li>- Other wire and terminations are available upon request, contact the factory</li> <li>- Rated 4A 250V 1,000W</li> <li>- cULus / UL Listed</li> </ul>
<div style="display: flex; justify-content: space-around; align-items: center;">   </div>			

**DOUBLE ENDED R7S LAMPHOLDERS**

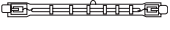
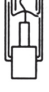

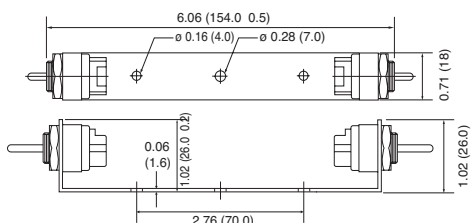
**K12 Single Heavy Duty R7s Lampholder**

  <p><b>R7S</b></p>	<ul style="list-style-type: none"> <li>- Heavy Duty construction</li> <li>- Outer shell is die cast, housing is Steatite</li> <li>- Contacts are silver-plated with inner coil spring for maintained contact pressure</li> <li>- Standard lead wires are 18 AWG SEW-1 (SF1) 200°C, 12" long, stripped 1/2"</li> <li>- Mounts into double "D" hole, 14 mm x 12 mm on flats</li> <li>- Two sockets are required per lamp</li> <li>- Other wire and terminations are available upon request, contact the factory</li> <li>- Rated 2A 200V</li> <li>- cULus</li> </ul>
	

**K13 Heavy Duty R7s Lampholder with Assembled Bracket for T4 79 mm Lamps**

  <p><b>R7S</b></p>	<ul style="list-style-type: none"> <li>- Heavy Duty construction</li> <li>- Outer shell is die cast, housing is Steatite</li> <li>- Contacts are silver-plated with inner coil spring for maintained contact pressure</li> <li>- Standard lead wires are 18 AWG SEW-1 (SF1) 200°C, 12" long, stripped 1/2"</li> <li>- Two pieces of K12 mounted on short bracket for faster assembly</li> <li>- Mounts using holes on heavy gauge steel bracket</li> <li>- Other wire and terminations are available upon request, contact the factory</li> <li>- Rated 2A 200V</li> <li>- cULus</li> </ul>
	

**K14 Heavy Duty R7s Lampholder with Assembled Bracket for T3 119 mm Lamps**

  <p><b>R7S</b></p>	<ul style="list-style-type: none"> <li>- Heavy Duty construction</li> <li>- Outer shell is die cast, housing is Steatite</li> <li>- Contacts are silver-plated with inner coil spring for maintained contact pressure</li> <li>- Standard lead wires are 18 AWG SEW-1 (SF1) 200°C, 12" long, stripped 1/2"</li> <li>- Two pieces of K12 mounted on long bracket for faster assembly</li> <li>- Mounts using holes on heavy gauge steel bracket</li> <li>- Other wire and terminations are available upon request, contact the factory</li> <li>- Rated 10A 200V</li> <li>- cULus</li> </ul>
	



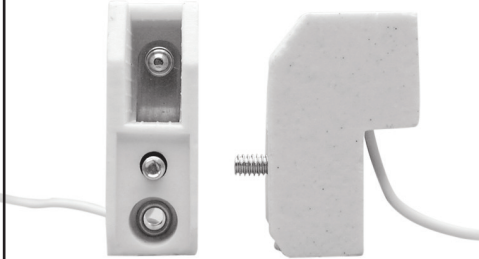
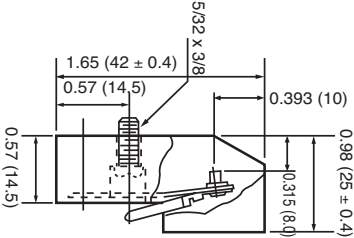
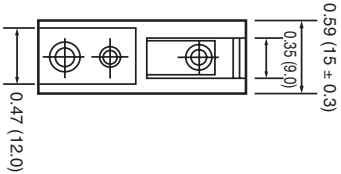
FOR MORE INFORMATION PLEASE CALL 1-800-661-9610 (HEAD OFFICE) 1-888-762-5384 (USA)

PLEASE CONSULT THE FACTORY FOR MORE PRODUCTS AND CUSTOMIZATION.  
 PRODUCT DETAILS AND SPECIFICATIONS ARE SUBJECT TO CHANGE WITHOUT NOTICE.



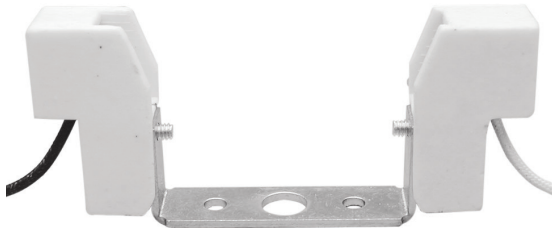
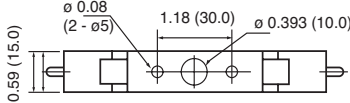
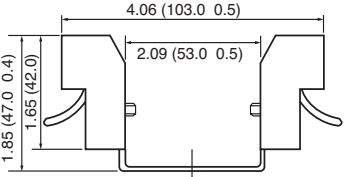


DOUBLE ENDED R7s LAMPHOLDERS

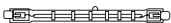


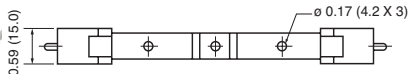
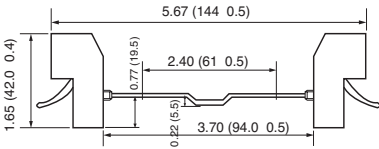
K21 Single R7s Lampholder

  <p><b>R7S</b></p>	<ul style="list-style-type: none"> <li>- Steatite porcelain body</li> <li>- Silver-plated contact with stainless steel backup spring to hold lamp securely in place</li> <li>- Two are required per lamp</li> <li>- Standard lead wires are 18 AWG SEW-1 (SF1) 200°C, 12" long, stripped 1/2"</li> </ul>	<ul style="list-style-type: none"> <li>- Mounts using 1-5/32" x 3/8" captive screw</li> <li>- Other wire and terminations are available upon request, contact the factory</li> <li>- Rated 8A 250V</li> <li>- cULus</li> </ul>
		

K23 R7s Lampholder with Assembled Bracket for T4 79 mm Lamps


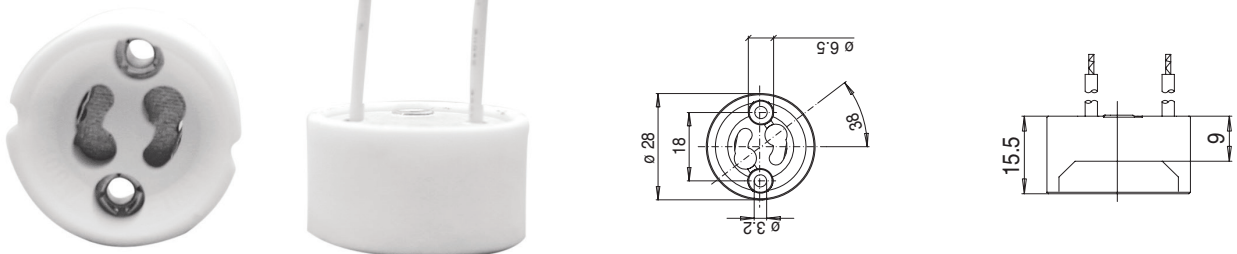
  <p><b>R7S</b></p>	<ul style="list-style-type: none"> <li>- Steatite porcelain body</li> <li>- Silver-plated contact with stainless steel backup spring to hold lamp securely in place</li> <li>- Standard lead wires are 18 AWG SEW-1 (SF1) 200°C, 12" long, stripped 1/2"</li> <li>- Two pieces of K21 are mounted on</li> </ul>	<p>short, heavy gauge steel bracket for faster assembly</p> <ul style="list-style-type: none"> <li>- Other wire and terminations are available upon request, contact the factory</li> <li>- Rated 8A 250V</li> <li>- cULus</li> </ul>
		

K24 R7s Lampholder with Assembled Bracket for T3 119 mm Lamps



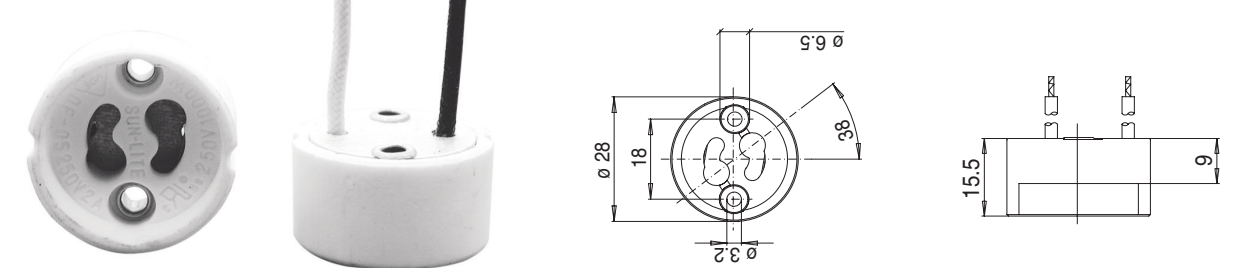
  <p><b>R7S</b></p>	<ul style="list-style-type: none"> <li>- Steatite porcelain body</li> <li>- Silver-plated contact with stainless steel backup spring to hold lamp securely in place</li> <li>- Standard lead wires are 18 AWG SEW-1 (SF1) 200°C, 12" long, stripped 1/2"</li> <li>- Two pieces of K21 are mounted on</li> </ul>	<p>long, heavy gauge steel bracket for faster assembly</p> <ul style="list-style-type: none"> <li>- Other wire and terminations are available upon request, contact the factory</li> <li>- Rated 8A 250V</li> <li>- cULus</li> </ul>
		

**GU-10, GZ-10 BASE / LAMPHOLDER ACCESSORIES**

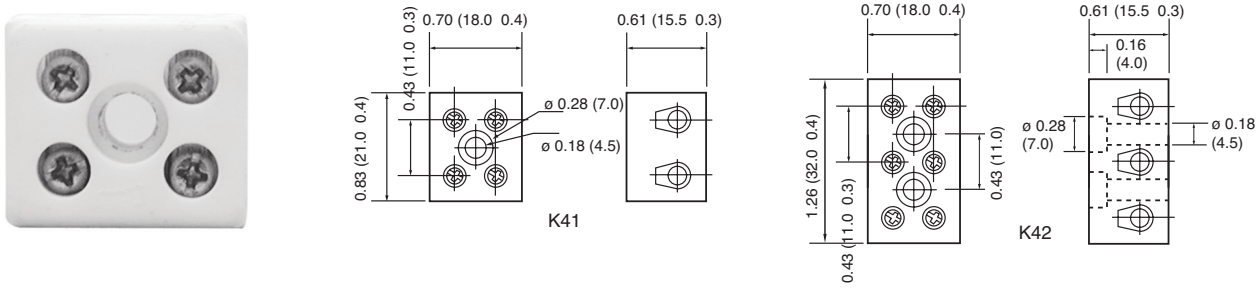
**DF-01 GU-10 Base (TAL) Lampholder DF-01-30SEW**

 <p><b>GU-10</b></p>	<ul style="list-style-type: none"> <li>- High heat Steatite body</li> <li>- Brass contacts</li> <li>- Two hole mounting through lampholder body into panel</li> <li>- Comes with standard 30" SEW-1 200°C leads</li> </ul>	<ul style="list-style-type: none"> <li>- Other wire and terminations are available upon request, contact the factory</li> <li>- Available with 1/8" IPS hickey, add suffix "H" to part number</li> <li>- Rated 1000W at 250V</li> <li>- cULus Listed</li> </ul>
		

**DF-05 GU-10 / GZ-10 Base (TAL) Lampholder**

 <p><b>GU-10</b></p>  <p><b>GZ-10</b></p>	<ul style="list-style-type: none"> <li>- High heat Steatite body</li> <li>- Brass contacts</li> <li>- Two hole mounting through lampholder body into panel</li> <li>- Comes with standard 30" SEW-1 200°C leads</li> </ul>	<ul style="list-style-type: none"> <li>- Other wire and terminations are available upon request, contact the factory</li> <li>- Available with 1/8" IPS hickey, add suffix "H" to part number</li> <li>- Rated 1000W at 250V</li> <li>- cULus Listed</li> </ul>
		

**K41 2 Pole Porcelain Terminal Block**

<ul style="list-style-type: none"> <li>- Unglazed high heat Steatite body</li> <li>- Nickel-plated brass terminals</li> <li>- M3 slotted terminal screws</li> </ul>	<ul style="list-style-type: none"> <li>- Mount using #8-32 screws</li> <li>- 20-14 AWG wire range</li> <li>- cULus Listed</li> </ul>	
		

FOR MORE INFORMATION PLEASE CALL 1-800-661-9610 (HEAD OFFICE) 1-888-762-5384 (USA)

PLEASE CONSULT THE FACTORY FOR MORE PRODUCTS AND CUSTOMIZATION.  
PRODUCT DETAILS AND SPECIFICATIONS ARE SUBJECT TO CHANGE WITHOUT NOTICE.



ACCESSORIES

E26 GU-10 Base Adapter



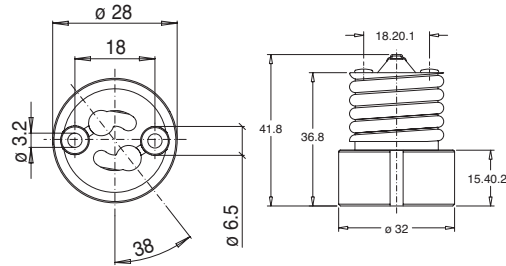
E26



GU-10

- High heat Steatite body
- Nickel-plated copper screw shell
- Allows conversion of GU-10 TAL lamps to medium base for line voltage applications
- Lamp simply twists into the adapter, which easily screws into medium base lampholder

- Useful in converting existing recessed cans to line voltage halogen (new trims must be installed)
- Design patent pending
- cULus Listed



HALOGEN



# SECTION H INCANDESCENT LAMP HOLDERS

## Candelabra Base Lampholders

IS05, IS05-751	Candelabra Lampholders	H2
IS104, IS104-PS	Candelabra Phenolic and Porcelain Lampholders	H3
IS101	Candelabra Outer Threaded Lampholders	H4
IS105, IS106, IS107	Candelabra Eurostyle Phenolic Lampholders	H4 - H5
NLS	Candelabra Lampholders with Snap in Clips	H5

## Intermediate Base Lampholders

IS115	Phenolic Intermediate Lampholders	H6
-------	-----------------------------------	----

## Medium Base Lampholders

IS201, IS275	Phenolic Keyless Lampholders	H6 - H7
IS211, IS211T, IS2209, IS2210	Porcelain Keyless Lampholders	H7 - H9
IS212, IS213, IS245P	Porcelain Snap-in Lampholders	H10
IS243	Phenolic Snap-in Lampholders	H11
IS241P	Outer Threaded Lampholders	H11
IS292, IS313, IS322	Sign Receptacles, Cleat Angle Pan, Lampholders	H12 - H13
IS309 IS509, IS510, IS511	Porcelain and Twin Keyless Lampholders	H13 - H14
ISP Series	Phenolic and Metal Caps for Lampholders	H14
IS215 and IS235	Phenolic Two and Three Light Cluster for Lampholders	H15

## Medium Base Table Lamp Sockets

IS219I, IS2301, IS25X Series	Interior Mechanisms	H16
IS219M, IS230M, IS25X-M Series	Metal Shell Lampholders	H16
IS219P, IS230P, IS25X-P Series	Phenolic Shell Lampholders	H17
IS216T, IS218T	Medium Base Bottom Turn Knob Socket	H17 - H18

## Miscellaneous Medium Base Lampholders and Adapters

IS513, IS514	Weatherproof Medium Base Lampholders	H18
IS271, IS270-12TEW, IS270-1SE	Ceiling and Surface Lampholders and Accessories	H19
IS278, IS279, IS276-A, IS28X Series, E26	Taps, Outlets, Adapter Electrical Accessories	H20-H21
IS264	Ceiling and Surface Medium Base Lampholder	H21

## Pulse Rated HID Lampholders

IS267 Series, IS268, IS4221, IS4225, IS4226	Medium and Mogul Base Lampholders	H22 - H25
---	-----------------------------------	-----------

## Thermal Cutouts and Covers

TCO Series		H25
------------	--	-----



# INCANDESCENT LAMP HOLDERS

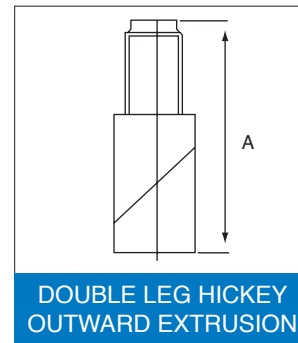
CANDELABRA BASE PHENOLIC LAMPHOLDERS

IS05 Series Candelabra Lampholder with Screw Terminals

INCANDESCENT

		<b>1/2" BASE DIAMETER</b>	<ul style="list-style-type: none"> <li>- High heat phenolic bodies</li> <li>- Aluminum screw shell standard</li> <li>- 25/32" diameter over insulating lining</li> <li>- Available with brackets listed below</li> <li>- Snap-on paper liner per UL Standard 1571</li> </ul>	<ul style="list-style-type: none"> <li>- With #6-32, 3/8" head terminal screws backed out</li> <li>- 75W, 125V</li> <li>- cULus Listed</li> </ul>

BRACKET NUMBER	DIMENSION A	DESCRIPTION OF MOUNTING HOLE	TYPE
TWO LEG HICKEY FOR: IS05 SERIES			
772	1 - 25/32"	1/8" IPS TAP EXTRUSION	OUTWARD
773	2 - 3/16"	1/8" IPS TAP EXTRUSION	OUTWARD



IS05 - ( XXX ) - ( XX ) - ( X ) - ( X )

↑ BRACKET NUMBER      ↑ WIRE LENGTH      ↑ WIRE TYPE      ↑ P - PULL THRU  
 T = TEW 18GA      N - NOT PULL THRU  
 105C  
 P-SPT-1 = SPT-1  
 18/2 105°C  
 X = CROSSLINK  
 125°C

IS05-751 Series Candelabra Lampholder with Two Leg Adjustable Hickey

		<b>1/2" BASE DIAMETER</b>	<ul style="list-style-type: none"> <li>- Two leg adjustable hickey</li> <li>- Dimension "A" adjustable from 3 1/2" to 4 3/4" simply by loosening two screws on the slotted legs and tightening at the required height</li> </ul>	<ul style="list-style-type: none"> <li>- Has 1/8" IPS tap inward extrusion</li> <li>- 75W, 125V</li> <li>- cULus Listed.</li> </ul>

**CANDELABRA BASE PHENOLIC LAMPHOLDERS**

**IS104 Series** Skeleton Screw Shell, Straight Body

		<p><b>1/2" BASE DIAMETER</b></p>	<ul style="list-style-type: none"> <li>- Standard is IS104 Series</li> <li>- Has skeleton type contacts in molded phenolic threaded body riveted to bracket</li> <li>- 75W, 125V</li> <li>- Standard leads are 18 AWG 105°C, AWM-TEW plastic wire</li> <li>- SPT-1 wire available upon request</li> <li>- Specify length and wire type when ordering</li> </ul>	<ul style="list-style-type: none"> <li>- On hickey or bracket with holes, leads are pulled through unless otherwise specified</li> <li>- IS104-S Series has aluminum screw shell with the same features as the IS104 Series</li> <li>- IS104-X Series has octagonal flange which allows easy installation in deep cups</li> <li>- UL Listed</li> </ul>

INCANDESCENT

BRACKET NUMBER	DIMENSION A	DIMENSION B	DESCRIPTION OF MOUNTING HOLE
<b>BRACKETS FOR: IS104, IS104-S AND IS104-X SERIES</b>			
607N	1 - 3/4"		1/8" IPS NIPPLE
607	1 - 3/4"		1/8" IPS TAP EXTRUSION
611 N	2"		1/8" IPS NIPPLE
611	2"		1/8" IPS TAP EXTRUSION
623 N	3 - 1/2"		1/8" IPS NIPPLE
623	3 - 1/2"		1/8" IPS TAP EXTRUSION
661	1 - 7/8"	1/2"	0.126"

SINGLE LEG HICKEYS		661
<b>FEMALE HICKEY</b>	<b>MALE NIPPLE HICKEY</b>	<b>"Z" TYPE BRACKET</b>

**IS104-PS Series** Candelabra Porcelain Lampholder with Two Leg Hickey

		<p><b>1/2" BASE DIAMETER</b></p>	<ul style="list-style-type: none"> <li>- Hi heat porcelain body with phenolic insulating cover</li> <li>- Screw terminals for wiring</li> <li>- Solid screw shell</li> </ul>	<ul style="list-style-type: none"> <li>- Overall height 2" (50mm)</li> <li>- Has 1/8" IPS tap inward double leg hickey</li> <li>- cULus Listed.</li> </ul>						
				<table border="1"> <thead> <tr> <th>PART NO.</th> <th>A</th> </tr> </thead> <tbody> <tr> <td>IS104-PS</td> <td>1.97" (50.0)</td> </tr> <tr> <td>IS104-PS2</td> <td>1.81" (46.0)</td> </tr> </tbody> </table>	PART NO.	A	IS104-PS	1.97" (50.0)	IS104-PS2	1.81" (46.0)
PART NO.	A									
IS104-PS	1.97" (50.0)									
IS104-PS2	1.81" (46.0)									

FOR MORE INFORMATION PLEASE CALL 1-800-661-9610 (HEAD OFFICE) 1-888-762-5384 (USA)

PLEASE CONSULT THE FACTORY FOR MORE PRODUCTS AND CUSTOMIZATION. PRODUCT DETAILS AND SPECIFICATIONS ARE SUBJECT TO CHANGE WITHOUT NOTICE.

CANDELABRA BASE LAMPHOLDERS PHENOLIC WITH OUTER THREADED BODY

IS101 Threaded Body with Shoulder (End) / IS102 Threaded Body with Shoulder (Feed Thru)

INCANDESCENT

		<p><b>1/2" BASE DIAMETER</b></p>	<ul style="list-style-type: none"> <li>- Outer threaded phenolic body with special locking features to prevent body halves from misaligning</li> <li>- Molded skeleton type screw shell</li> <li>- Specify lead type, length and stripping</li> <li>- 75W, 125V</li> </ul>	<ul style="list-style-type: none"> <li>- Sockets can be supplied with various hickeys and brackets</li> <li>- Can be supplied with phenolic rings in Black, Brown, Brass or Silver Plated, or Die Cast Brass or Silver</li> <li>- cULus Listed.</li> </ul>
<p><b>To order harness sets of two or more sockets:</b></p> <ul style="list-style-type: none"> <li>- Specify the style and number of socket pieces</li> <li>- Centre-to-centre distance between sockets (2" minimum) and free end length</li> </ul>			<ul style="list-style-type: none"> <li>- Wire type, colour and strip length</li> <li>- Style and colour of finishing nut</li> </ul>	

EUROSTYLE CANDELABRA LAMPHOLDERS

IS105 Euro Style Phenolic Candelabra with Smooth Shell

		<p><b>1/2" BASE DIAMETER</b></p>	<ul style="list-style-type: none"> <li>- 3 piece phenolic body, base, cap and shell</li> <li>- Set screw terminals for wiring</li> <li>- Smooth shell to fit into cup</li> <li>- 1/8" IPS molded internal thread for mounting</li> <li>- Available with set screw on base to hold on to the 1/8" IPS pipe</li> </ul>	<ul style="list-style-type: none"> <li>- Ratcheting locking base once assembled, will not come apart without depressing the lock release</li> <li>- Rated 75W 120W</li> </ul>

**EUROSTYLE CANDELABRA LAMPHOLDERS**

**IS106 Euro Style Phenolic Candelabra with Full Outer Thread and Phenolic Shade Ring**

		<p><b>1/2" BASE DIAMETER</b></p>	<ul style="list-style-type: none"> <li>- 3 piece phenolic body, base, cap and shell</li> <li>- Smooth shell to fit into cup</li> <li>- 1/8" IPS molded internal thread for mounting</li> <li>- Terminal: Screwless push-in terminals, suitable for #18AWG wire 12mm solder-dipped</li> <li>- Available with set screw on base to hold on</li> </ul>	<ul style="list-style-type: none"> <li>to the 1/8" IPS pipe</li> <li>- Ratcheting locking base once assembled, will not come apart without depressing the lock release</li> <li>- Rated 75W 125W</li> </ul>

**IS107 Euro Style Phenolic Candelabra with Half Outer Thread and Phenolic Shade Ring**

		<p><b>1/2" BASE DIAMETER</b></p>	<ul style="list-style-type: none"> <li>- 3 piece phenolic body, base, cap and shell</li> <li>- Half outer thread on the body and shade ring are used to assemble a glass or reflector to the body</li> <li>- 1/8" IPS molded internal thread for mounting</li> <li>- Terminal: Screwless push-in terminals, suitable for #18AWG wire 12mm solder-dipped</li> </ul>	<ul style="list-style-type: none"> <li>- Available with set screw on base to hold on to the 1/8" IPS pipe</li> <li>- Ratcheting locking base once assembled, will not come apart without depressing the lock release</li> <li>- Rated 75W 120W</li> </ul>

**CANDELABRA BASE LAMPHOLDERS PHENOLIC WITH SNAP-IN CLIPS**

**NLS-1F-6FS Assembled Socket and Cord with In-line Switch for Ceramic Industry**



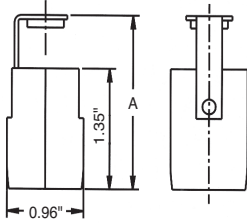
		<p><b>1/2" BASE DIAMETER</b></p>	<ul style="list-style-type: none"> <li>- Pre-assembled snap-in socket with feed through in-line ON-OFF switch on 6' SPT-1 cord, with polarized male plug</li> <li>- Ideal for illuminating ceramic handicrafts</li> <li>- Available in many different lengths, switch locations and free ends; contact the factory</li> </ul>	<ul style="list-style-type: none"> <li>for ordering information</li> <li>- Simply snap in to 1" diameter hole in 1/32" to 1/8" thick panel</li> <li>- cULus Listed</li> </ul>

FOR MORE INFORMATION PLEASE CALL 1-800-661-9610 (HEAD OFFICE) 1-888-762-5384 (USA)

PLEASE CONSULT THE FACTORY FOR MORE PRODUCTS AND CUSTOMIZATION. PRODUCT DETAILS AND SPECIFICATIONS ARE SUBJECT TO CHANGE WITHOUT NOTICE.

INTERMEDIATE KEYLESS LAMPHOLDERS


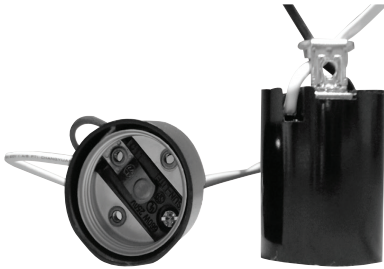
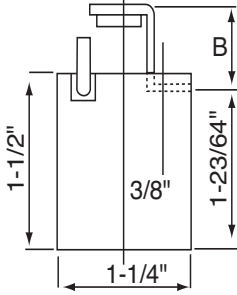
IS115 Phenolic Intermediate Base Lampholder

 <b>E - 17</b>	<b>21/32" BASE DIAMETER</b>	<ul style="list-style-type: none"> <li>- Phenolic intermediate base lampholder</li> <li>- Has skeleton type screw shell</li> <li>- The unit is supplied with wire leads, please specify wire length, type and end stripping</li> </ul>	<ul style="list-style-type: none"> <li>- Also available with push-in terminals for adding your own leads</li> <li>- cULus Listed.</li> </ul>				
			<table border="1"> <thead> <tr> <th>PART NO.</th> <th>A</th> </tr> </thead> <tbody> <tr> <td>IS115</td> <td>2" (50.8)</td> </tr> </tbody> </table>	PART NO.	A	IS115	2" (50.8)
PART NO.	A						
IS115	2" (50.8)						

INCANDESCENT

MEDIUM KEYLESS LAMPHOLDERS




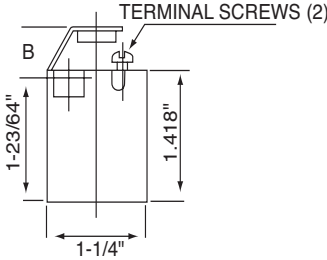
IS201 Series Phenolic Keyless Lampholder

 <b>E - 26</b>	<b>1" BASE DIAMETER</b>	<ul style="list-style-type: none"> <li>- High heat phenolic body</li> <li>- Aluminum screw shell is standard, brass or nickel-plated copper available to order</li> <li>- Standard leads are 18 AWG, EXL 125°C, 12" long, stripped 1/2" or specify desired length and type of wire</li> <li>- Also available less leads with eyelets for soldering</li> <li>- The above series are designed to accommodate a wide variety of hickeys or brackets, which can be ordered from the following pages</li> </ul>	<ul style="list-style-type: none"> <li>- Insulating fibre cover or cap can be attached upon request</li> <li>- Also available with ground wire</li> <li>- Many configurations are available, as well as many mounting options</li> <li>- Can be harnessed together for many applications, such as bathroom strips or showcase lighting, etc.</li> <li>- White Urea lampholders are available to order</li> <li>- 660W,250V</li> <li>- cULus Listed</li> </ul>
			






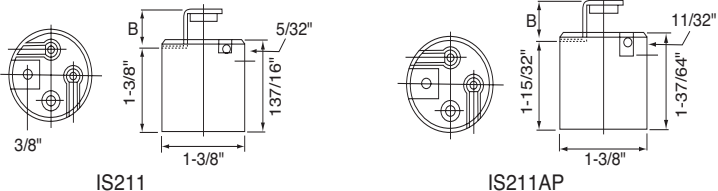
**PHENOLIC LAMPHOLDER KEYLESS, MEDIUM BASE**

**IS275 Series** Phenolic Keyless Lampholder with Screw Terminals

  <p><b>E - 26</b></p>	<p><b>1" BASE DIAMETER</b></p>	<ul style="list-style-type: none"> <li>- High heat phenolic body</li> <li>- Aluminum screw shell is standard, brass or nickel-plated copper available to order</li> <li>- The above series are designed to accommodate a wide variety of hickeys or brackets, which can be ordered from the following pages</li> <li>- Insulating fibre cover or cap can be attached upon request</li> <li>- 660W, 250V</li> <li>- cULus Listed</li> </ul>
		

**PORCELAIN LAMPHOLDERS KEYLESS, MEDIUM BASE**

**IS211 Series** Porcelain Keyless Lampholder

  <p><b>E - 26</b></p>	<p><b>1" BASE DIAMETER</b></p>	<ul style="list-style-type: none"> <li>- Unglazed porcelain body with wireways</li> <li>- Available with deep wire well to meet UL AP requirements, specify part number IS211AP</li> <li>- Aluminum screw shell is standard, brass or nickel-plated copper available to order</li> <li>- Standard leads are 18 AWG, EXL 125°C, 12" long, stripped 1/2" or specify desired length and type of wire</li> <li>- The above series are designed to accommodate a wide variety of hickeys or brackets, which can be ordered from the following pages</li> <li>- Insulating fibre cover or cap can be attached upon request</li> <li>- Also available with ground wire</li> <li>- Many configurations are available, as well as many mounting options</li> <li>- 660W, 250V</li> <li>- cULus Listed</li> </ul>
		

FOR MORE INFORMATION PLEASE CALL 1-800-661-9610 (HEAD OFFICE) 1-888-762-5384 (USA)

PLEASE CONSULT THE FACTORY FOR MORE PRODUCTS AND CUSTOMIZATION.  
PRODUCT DETAILS AND SPECIFICATIONS ARE SUBJECT TO CHANGE WITHOUT NOTICE.



**PORCELAIN LAMPHOLDERS KEYLESS, MEDIUM BASE**

**IS211T Series** Porcelain Keyless Lampholder with Screw Terminals

		<p><b>1" BASE DIAMETER</b></p>	<ul style="list-style-type: none"> <li>- Unglazed porcelain body with wireways</li> <li>- Aluminum screw shell is standard, brass or nickel-plated copper available to order</li> <li>- With screw terminals – for wiring</li> <li>- The above series are designed to accommodate a wide variety of hickey or brackets, which can be ordered from the following pages</li> </ul> <ul style="list-style-type: none"> <li>- Insulating fibre cover or cap can be attached upon request</li> <li>- Many configurations are available, as well as many mounting options</li> <li>- 660W, 250V</li> <li>- UL Listed</li> </ul>
--	--	--------------------------------	---

**Hickeys and Brackets for IS201 & IS211 Series**

BRACKET NUMBER	B	DESCRIPTION OF MOUNTING HOLE
<b>HICKEYS AND BRACKETS FOR: IS201, IS211 SERIES</b>		
01 N	1/2"	1/8" IPS NIPPLE
01 S	1/2"	1/8" IPS TAP EXTRUSION
04 N	3/4"	1/8" IPS NIPPLE
04 S	3/4"	1/8" IPS TAP EXTRUSION

**STYLE 01**

STRAIGHT FEMALE HICKEY

**STYLE 01S**

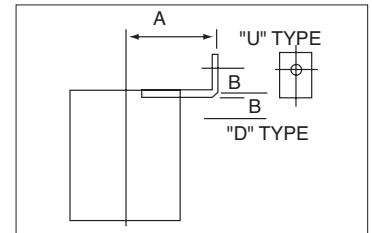
SLANTED FEMALE HICKEY

**STYLE 01N**

MALE NIPPLE HICKEY

BRACKET NUMBER	A	B	DESCRIPTION OF MOUNTING HOLE
<b>ANGLE BRACKETS FOR: IS201, IS211 SERIES</b>			
60U OR D	3/4"	19/64"	0.158" (USE FOR QUICK HICKEY)
61U OR D	1 - 1/4"	19/64"	0.193"

**"L" BRACKETS**



BRACKET NUMBER	A	B
<b>SNAP-IN CLIPS FOR: IS201, IS211 SERIES</b>		
411U OR D	13/16"	
421U OR D	3/4"	15°
422U OR D	3/4"	19°
423U OR D	3/4"	23.5°
424U OR D	27/32"	15°

**SNAP IN BRACKETS**

0.281"

0.395"

Mounting panel thickness 0.015-0.040" (0.08" available on request)

**VERTICAL TYPE**

"U" TYPE

"D" TYPE

**HORIZONTAL TYPE**


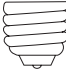


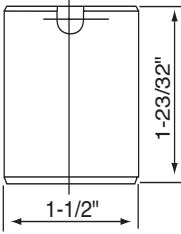

"U" TYPE

"D" TYPE


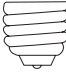


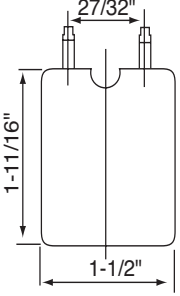
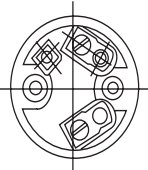
**ANGLED TYPE**

**PORCELAIN LAMPHOLDER KEYLESS, MEDIUM BASE**

**IS2209** Porcelain Keyless Lampholder with Two #6 - 32" Female Bushings for Mounting

  <p><b>E - 26</b></p>	<p><b>1" BASE DIAMETER</b></p>	<ul style="list-style-type: none"> <li>- Unglazed porcelain body 1 23/32" high and 1 1/2" outer diameter</li> <li>- Spring brass centre contact</li> <li>- Aluminum screw shell is standard, brass or nickel-plated copper available to order</li> <li>- Standard leads are 18 AWG, EXL 125°C, 12" long, stripped 1/2" or specify desired length and type of wire</li> </ul>	<ul style="list-style-type: none"> <li>- Available with screw terminals for wiring</li> <li>- Two threaded #6-32 female bushing for mounting</li> <li>- 660W, 250V</li> <li>- cULus Listed</li> </ul>
   			

**IS2210** Porcelain Keyless Lampholder with Two #6 - 32" Screws for Mounting

  <p><b>E - 26</b></p>	<p><b>1" BASE DIAMETER</b></p>	<ul style="list-style-type: none"> <li>- Unglazed porcelain body 1 11/16" high with 1 1/2" outer diameter</li> <li>- Spring brass centre contact</li> <li>- Aluminum screw shell is standard, brass or nickel-plated copper available to order</li> <li>- Standard leads are 18 AWG, EXL 125°C, 12" long, stripped 1/2" or specify desired length and type of wire</li> </ul>	<ul style="list-style-type: none"> <li>- Also available with screw terminals backed out and staked – specify part number IS2210-T when ordering = S/B IS2210-TA</li> <li>- Two #6-32 captive screws for mounting</li> <li>- Insulating cap IPS51 metal or ISP-53 phenolic available</li> <li>- cULus Listed</li> </ul>
   			

INCANDESCENT

FOR MORE INFORMATION PLEASE CALL 1-800-661-9610 (HEAD OFFICE) 1-888-762-5384 (USA)

PLEASE CONSULT THE FACTORY FOR MORE PRODUCTS AND CUSTOMIZATION.  
 PRODUCT DETAILS AND SPECIFICATIONS ARE SUBJECT TO CHANGE WITHOUT NOTICE.



**PORCELAIN LAMPHOLDER SNAP-IN KEYLESS, MEDIUM BASE**

**IS212 Front Mount Shallow Back Porcelain Keyless Lampholder**

		<p><b>1" BASE DIAMETER</b></p>	<ul style="list-style-type: none"> <li>- Unglazed porcelain body</li> <li>- Rust resistant spring tempered steel mounting clip riveted to body</li> <li>- Aluminum screw shell is standard, brass or nickel-plated copper available to order</li> <li>- Available with male quick connect tabs, #6-32 screw terminals, or wire leads</li> </ul>	<ul style="list-style-type: none"> <li>- Lampholders front mount into panel</li> <li>- Will accommodate 0.032" to 0.093" panel thickness</li> <li>- 660W, 250V</li> <li>- cULus Listed</li> </ul>

**IS213 Front Mount Shallow Porcelain Keyless Lampholder**

		<p><b>1" BASE DIAMETER</b></p>	<ul style="list-style-type: none"> <li>- Unglazed porcelain body</li> <li>- Rust resistant spring tempered steel mounting clip riveted to body</li> <li>- Aluminum screw shell is standard, brass or nickel-plated copper available to order</li> <li>- Available with male quick connect tabs, #6-32 screw terminals, or wire leads</li> </ul>	<ul style="list-style-type: none"> <li>- Lampholders front mount into panel</li> <li>- Will accommodate 0.032" to 0.093" panel thickness</li> <li>- 660W, 250V</li> <li>- cULus Listed</li> </ul>



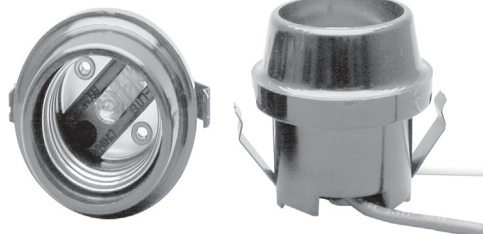
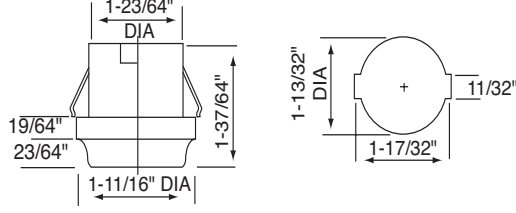
**IS245P Rear Mount Porcelain Keyless Lampholder**

		<p><b>1" BASE DIAMETER</b></p>	<ul style="list-style-type: none"> <li>- Unglazed porcelain body</li> <li>- Rust resistant spring tempered steel mounting clip riveted to body</li> <li>- Aluminum screw shell is standard, brass or nickel-plated copper available to order</li> <li>- Available with male quick connect tabs, #6-32 screw terminals, or wire leads</li> </ul>	<ul style="list-style-type: none"> <li>- Mount from back of panel</li> <li>- Ideal for use in recessed cans and pot lights</li> <li>- Will accommodate 0.032" to 0.093" panel thickness</li> <li>- 660W, 250V</li> <li>- cULus Listed</li> </ul>


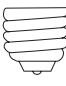

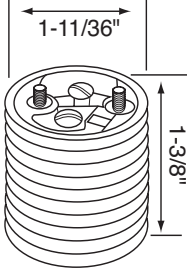
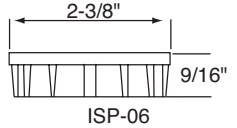
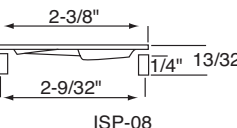
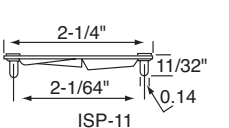
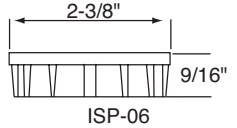
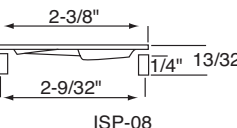
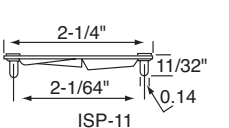
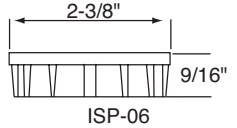
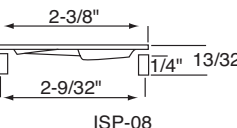
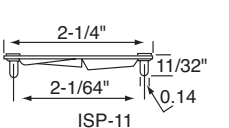
INCANDESCENT

**PORCELAIN LAMPHOLDERS MEDIUM BASE, OUTER THREADED BODY**

**IS243** Phenolic Keyless Lampholder Tapered Top Flange, Snap-In Clip

  <p><b>E - 26</b></p>	<p><b>1" BASE DIAMETER</b></p>	<ul style="list-style-type: none"> <li>- One piece high heat phenolic body</li> <li>- U-shaped rust resistant tempered spring steel clip riveted into the body</li> <li>- Aluminum screw shell is standard. Brass or nickel-plated copper available to order</li> <li>- Lampholders can be supplied with any type and length of leads</li> <li>- Ground lead available upon request</li> <li>- Front mount into panel</li> <li>- Will accommodate 0.032" to 0.060" panel thickness</li> <li>- cULus Listed</li> </ul>
 		

**IS241P** Outer Threaded Porcelain Lampholder

  <p><b>E - 26</b></p>	<p><b>1" BASE DIAMETER</b></p>	<ul style="list-style-type: none"> <li>- Unglazed porcelain body with wireway for side wiring</li> <li>- Aluminum screw shell is standard, brass or nickel-plated copper available to order</li> <li>- Available with screw terminals or 18 AWG, EXL 125°C, 12" long leads, stripped 1/2"</li> <li>- Can be supplied with any wire type</li> <li>- SVT and SJT 2 or 3 conductor wires are available for use with pendant fixtures</li> <li>- Available with 1/8" IPS die cast or Bakelite caps</li> <li>- Brackets are available with tapped holes or 1/8" IPS female extension</li> <li>- Supplied with adjustable metal or phenolic counter ring</li> <li>- cULus Listed</li> </ul>						
 								
<p align="center"><b>RINGS FOR IS241 AND IS241P SERIES</b></p> <table border="1"> <tr> <td data-bbox="406 1564 673 1711">  <p align="center">ISP-06</p> </td> <td data-bbox="673 1564 941 1711">  <p align="center">ISP-08</p> </td> <td data-bbox="941 1564 1209 1711">  <p align="center">ISP-11</p> </td> </tr> <tr> <td align="center" data-bbox="406 1711 673 1885"> <p><b>PHENOLIC RING</b></p> </td> <td align="center" data-bbox="673 1711 941 1885"> <p><b>METAL (STEEL) RING</b></p> </td> <td align="center" data-bbox="941 1711 1209 1885"> <p><b>METAL (STEEL) RING</b></p> </td> </tr> </table>			 <p align="center">ISP-06</p>	 <p align="center">ISP-08</p>	 <p align="center">ISP-11</p>	<p><b>PHENOLIC RING</b></p>	<p><b>METAL (STEEL) RING</b></p>	<p><b>METAL (STEEL) RING</b></p>
 <p align="center">ISP-06</p>	 <p align="center">ISP-08</p>	 <p align="center">ISP-11</p>						
<p><b>PHENOLIC RING</b></p>	<p><b>METAL (STEEL) RING</b></p>	<p><b>METAL (STEEL) RING</b></p>						

FOR MORE INFORMATION PLEASE CALL 1-800-661-9610 (HEAD OFFICE) 1-888-762-5384 (USA)

PLEASE CONSULT THE FACTORY FOR MORE PRODUCTS AND CUSTOMIZATION.  
PRODUCT DETAILS AND SPECIFICATIONS ARE SUBJECT TO CHANGE WITHOUT NOTICE.



**PORCELAIN LAMPHOLDER KEYLESS, MEDIUM BASE**

**IS292** Porcelain Keyless Two Piece Receptacle, Two Screw Mounting

		<b>1" BASE DIAMETER</b>	<ul style="list-style-type: none"> <li>- High heat porcelain body</li> <li>- Aluminum screw shell is standard, brass or nickel-plated copper available to order</li> <li>- Concealed screw terminals under ring</li> <li>- Mounts using two screws through base on 17/16" centres</li> </ul>	<ul style="list-style-type: none"> <li>- Also available with wire leads</li> <li>- 660W, 250V</li> <li>- cULus Listed</li> </ul>

**IS313** Porcelain Keyless Sign Receptacle, with Wire Leads

		<b>1" BASE DIAMETER</b>	<ul style="list-style-type: none"> <li>- High heat porcelain body</li> <li>- Two locking notches to prevent rotation</li> <li>- Aluminum screw shell is standard, brass or nickel-plated copper available to order</li> <li>- Leads are 18 AWG, TEW 105°C, 9" long, stripped 1/2"</li> </ul>	<ul style="list-style-type: none"> <li>- Other leads are available, specify type, length and stripping</li> <li>- Mounts into a 1 7/16" diameter hole in panel</li> <li>- 660W, 250V</li> <li>- cULus Listed</li> </ul>

**IS322** Porcelain Keyless Sign Receptacle, with Screw Terminals





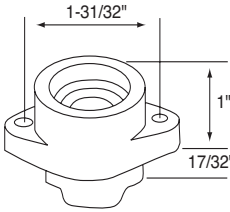
		<b>1" BASE DIAMETER</b>	<ul style="list-style-type: none"> <li>- High heat porcelain body</li> <li>- Slots available to protect against rotation</li> <li>- Aluminum screw shell is standard, brass or nickel-plated copper available to order</li> <li>- Also available with 0.250" male terminals or wire leads</li> </ul>	<ul style="list-style-type: none"> <li>- Mounts into a 1 7/16" diameter hole in panel</li> <li>- 660W, 250V</li> <li>- cULus Listed</li> </ul>

INCANDESCENT





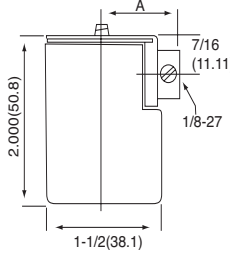


**PORCELAIN LAMPHOLDER KEYLESS, MEDIUM BASE**





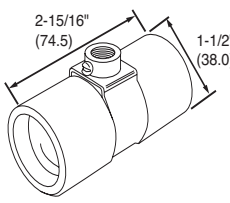
**IS309** Porcelain Keyless Lampholder for Use with Commercial Reflector Units

  <p><b>E - 26</b></p>	<p><b>1" BASE DIAMETER</b></p>	<ul style="list-style-type: none"> <li>- Glazed high heat porcelain body</li> <li>- Aluminum screw shell is standard, brass or nickel-plated copper available to order</li> <li>- Screw terminals are standard with wireways at bottom of socket; also available with wire leads, specify type,</li> </ul> <ul style="list-style-type: none"> <li>length and stripping when ordering</li> <li>- Mounts using 2 screws through #8-32 holes in mounting ears</li> <li>- Also available with wire leads</li> <li>- 660W, 600V</li> <li>- cULus Listed</li> </ul>
  		

**IS509** Side Outlet Porcelain Keyless Lampholder

  <p><b>E - 26</b></p>	<p><b>1" BASE DIAMETER</b></p>	<ul style="list-style-type: none"> <li>- One piece unglazed porcelain body with 1/8" IPS-27 NPS female bushing and set screw</li> <li>- The cap is keyed to the body to prevent rotation</li> <li>- Insulator assures isolation of the screw terminals</li> </ul> <ul style="list-style-type: none"> <li>- The screws are staked and backed out for fast and easy assembly</li> <li>- Standard screwshell is aluminum; brass or nickel-plated brass is also available</li> <li>- 660W, 250V</li> <li>- cULus Listed</li> </ul>
  		

**IS510** Twin Porcelain Keyless Lampholder with 1/8" IPS Bushing

  <p><b>E - 26</b></p>	<p><b>1" BASE DIAMETER</b></p>	<ul style="list-style-type: none"> <li>- Two piece unglazed porcelain body joined through a steel strap with 1/8" IPS-27 NPS female bushing and set screw</li> <li>- Standard is aluminum screw shell</li> <li>- Screw terminals are standard</li> </ul> <ul style="list-style-type: none"> <li>- Screw terminals are staked and backed out for easy wiring</li> <li>- Also available with leads attached</li> <li>- 660W, 250V</li> <li>- cULus Listed</li> </ul>
  		

FOR MORE INFORMATION PLEASE CALL 1-800-661-9610 (HEAD OFFICE) 1-888-762-5384 (USA)

PLEASE CONSULT THE FACTORY FOR MORE PRODUCTS AND CUSTOMIZATION. PRODUCT DETAILS AND SPECIFICATIONS ARE SUBJECT TO CHANGE WITHOUT NOTICE.



**PORCELAIN LAMPHOLDER KEYLESS, MEDIUM BASE**

**IS511** Short Body Twin Porcelain Keyless Lampholder

	<p><b>E - 26</b></p>	<p><b>1" BASE DIAMETER</b></p>	<ul style="list-style-type: none"> <li>- One piece unglazed short body with 1/8" IPS-27 NPS female bushing and set screw on stamped steel cap</li> <li>- An insulator serves to isolate the cap from the screw terminals</li> </ul>	<ul style="list-style-type: none"> <li>- Standard is nickel-plated copper alloy screw shell</li> <li>- Screw terminals are staked and backed out for easy wiring</li> <li>- 660W, 250V</li> <li>- cULus Listed</li> </ul>

INCANDESCENT

**METAL CAPS FOR LAMPHOLDER**

**ISP-51** Metal Cap for IS2210 and IS267S 1/8" IPS Series

<ul style="list-style-type: none"> <li>- Metal caps for porcelain sockets IS2210 and IS267 series</li> <li>- Has 1/8" IPS thread and screw set</li> </ul>	

**ISP-52** Metal Cap for IS2210 and IS267S 1/4" IPS

<ul style="list-style-type: none"> <li>- Metal caps for porcelain sockets IS2210 and IS267 series</li> <li>- Has 1/4" IPS thread and screw set</li> </ul>	

PHENOLIC TWO / THREE LIGHT CLUSTER LAMPHOLDERS

IS215 Series Phenolic Two Light Cluster Lampholders

<p><b>E - 26</b></p>	<p><b>1" BASE DIAMETER</b></p>	<ul style="list-style-type: none"> <li>- Twin socket molded of high heat phenolic, Black standard colour</li> <li>- Available in White Urea</li> <li>- For 2 x 60W bulbs, overall distance is 9 3/8" with bulbs installed</li> <li>- Standard screw shell is aluminum</li> <li>- Available in many bracket configurations, fitted with nipples, tapped holes, snap springs or bushings</li> </ul>	<ul style="list-style-type: none"> <li>- Standard nipples are 1/8" IPS flat sided 5/16" long</li> <li>- Rotary or pull switches are available</li> <li>- Standard leads are 18 AWG, TEW 105°C, 6" long, stripped 1/2"</li> <li>- Items in ( ) are optional and refer to the list of brackets below</li> <li>- cULus Listed</li> </ul>				
<p><b>IS215 - ( 838 ) - ( 838 ) - 6TEW</b></p> <p>↑ TOP BRACKET NUMBER    ↑ BOTTOM BRACKET NUMBER    ↑ LEAD LENGTH &amp; TYPE</p>			<table border="1"> <thead> <tr> <th>TOP BRACKET</th> <th>BOTTOM BRACKET</th> </tr> </thead> <tbody> <tr> <td></td> <td></td> </tr> </tbody> </table>	TOP BRACKET	BOTTOM BRACKET		
TOP BRACKET	BOTTOM BRACKET						

INCANDESCENT

IS235 Series Phenolic Three Light Cluster Lampholders

<p><b>E - 26</b></p>	<p><b>1" BASE DIAMETER</b></p>	<ul style="list-style-type: none"> <li>- Molded of high heat phenolic</li> <li>- Available in White Urea</li> <li>- For 3 x 60W bulbs, overall distance is 9 1/2" with bulbs installed</li> <li>- Standard screw shell is aluminum</li> <li>- Available in many bracket configurations, fitted with nipples, tapped holes, snap springs or bushings</li> </ul>	<ul style="list-style-type: none"> <li>- Standard nipples are 1/8" IPS flat sided 1/2" long</li> <li>- Rotary or pull switches are available</li> <li>- Items in ( ) are optional and refer to the list of brackets below</li> <li>- cULus Listed</li> </ul>			
<p><b>IS235 - ( 860 ) - ( 860 ) - ( X X )</b></p> <p>↑ TOP BRACKET NUMBER    ↑ BOTTOM BRACKET NUMBER    ↑ LEAD LENGTH &amp; TYPE</p>						
PART NUMBER		BRACKET NUMBER	A	B	MOUNTING BRACKETS ARE DOUBLE LEG	WIRING
<b>BRACKETS FO IS235 SERIES</b>						
IS235-860-860-18GPA		860	5/16"	13/16"	1/8" IPS THREADED HOLE, NIPPLE, SNAP-IN CLIP	18" EXL. 18GA LEADS, ALUM. SCREWSHELL
IS235-865N865N9G		865	2 - 1/4"	2 - 1/4"	1/8" IPS THREADED HOLE, NIPPLE, SNAP-IN CLIP	9" EXL. 18GA LEADS, ALUM. SCREWSHELL

FOR MORE INFORMATION PLEASE CALL 1-800-661-9610 (HEAD OFFICE) 1-888-762-5384 (USA)


PLEASE CONSULT THE FACTORY FOR MORE PRODUCTS AND CUSTOMIZATION. PRODUCT DETAILS AND SPECIFICATIONS ARE SUBJECT TO CHANGE WITHOUT NOTICE.



## MEDIUM BASE


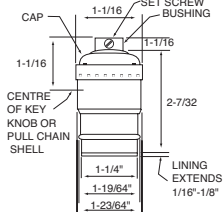
H16






### INTERIOR MECHANISMS MEDIUM BASE

IS219I Push-Thru Electrolier Screw Terminals	IS230I Pull Chain Electrolier	IS250I Keyless Electrolier	IS251I Turn Knob Electrolier	IS253I Tri-Light Electrolier Screw Terminals
				
- Phenolic body	- Phenolic body	- Phenolic body	- Phenolic body	- Phenolic body
- Aluminum screw shell	- Aluminum screw shell	- Aluminum screw shell	- Aluminum screw shell	- Aluminum screw shell
- Terminal screws are backed out	- Terminal screws are backed out	- Two tabs on body lock to prevent rotation	- Single circuit ON-OFF	- 3-Way L-M-H-OFF
- cURus	- Beaded chain, 5" long	- Terminal screws are backed out	- Terminal screws are backed out	- Terminal screws are backed out
	- Brass finish	- cURus & CSA Certified	- Removable turn knob	- Removable turn knob
	- cURus		- cURus & CSA Certified	- cURus & CSA Certified

### METAL SHELL LAMPHOLDERS ELECTROLIER MEDIUM BASE


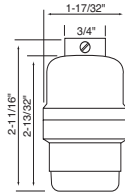
#### Standard Metal Shell Lampholder


 <b>E - 26</b>	<ul style="list-style-type: none"> <li>- Cap/shell made from aluminum</li> <li>- Polished gilt finish or polished brass finish is available</li> <li>- Standard cap bushing is 1/8" IPS</li> <li>- Standard shell is without UNO thread</li> <li>- Available with or without set screw on cap - add suffix - SS to part number for set screw, e.g. IS253M-SS</li> </ul>	
--	---	--


IS219M Push-Thru Electrolier Screw Terminals	IS230M Pull Chain Electrolier	IS250M Keyless Electrolier	IS251M Turn Knob Electrolier	IS253M Tri-Light Electrolier
				
- Insulated nylon push bars	- Pull chain single circuit ON-OFF	- Interior has two projections that prevent rotation in shell	- Single circuit ON-OFF electrolier	- 3-Way L-M-H-OFF
- Interior is No. IS219I	- Beaded chain 5" long, with end bell	- Interior is No. IS250I	- Removable turn knob is molded plastic	- For operating a 2 filament lamp
- Screw terminals backed out	- Interior is No. IS230I	- Screw terminals backed out	- Interior is No. IS251I	- Removable turn knob
- 660W, 250V	- Screw terminals backed out	- Less set screw unless otherwise specified	- Screw terminals backed out	- Interior is No. IS253I
- UL Listed & CSA Certified	- 660W, 250V	- UL Listed & CSA Certified	- Less set screw unless otherwise specified	- Screw terminals backed out
	- UL Listed & CSA Certified		- UL Listed & CSA Certified	- Less set screw unless otherwise specified
				- 250W, 250V
				- UL Listed & CSA Certified

**PHENOLIC SHELL LAMPHOLDERS ELECTROLIER MEDIUM BASE**

**Standard Phenolic Shell Lampholder**

 <p><b>E - 26</b></p>	<ul style="list-style-type: none"> <li>- Cap/shell made from high strength phenolic</li> <li>- Standard colour is Brown</li> <li>- Standard cap bushing is 1/8" IPS</li> <li>- Standard shell is without thread</li> <li>- Available with or without set screw on cap</li> </ul>	
--	--	---

<p><b>IS219P</b> Push-Thru Electrolier</p>

<ul style="list-style-type: none"> <li>- Insulated nylon push bar, travel of push bar is 1/4"</li> </ul>
<ul style="list-style-type: none"> <li>- Push bar through single circuit ON-Off</li> </ul>
<ul style="list-style-type: none"> <li>- Screw terminals backed out</li> </ul>
<ul style="list-style-type: none"> <li>- Rated 660W, 250V</li> </ul>
<ul style="list-style-type: none"> <li>- Interior no. = IS219I</li> </ul>
<ul style="list-style-type: none"> <li>- cULus Listed &amp; CSA Certified</li> <li>- Interior IS219I</li> </ul>

<p><b>IS230P</b> Pull Chain Electrolier</p>

<ul style="list-style-type: none"> <li>- Pull chain single circuit ON-OFF</li> </ul>
<ul style="list-style-type: none"> <li>- Beaded chain 5" long, with end bell</li> </ul>
<ul style="list-style-type: none"> <li>- Interior is No. IS230I</li> </ul>
<ul style="list-style-type: none"> <li>- Screw terminals backed out</li> </ul>
<ul style="list-style-type: none"> <li>- 660W, 250V</li> </ul>
<ul style="list-style-type: none"> <li>- cULus Listed &amp; CSA Certified</li> </ul>

<p><b>IS251P</b> Turn Knob Electrolier</p>

<ul style="list-style-type: none"> <li>- Single circuit ON-OFF electrolier</li> </ul>
<ul style="list-style-type: none"> <li>- Removable turn knob is molded plastic</li> </ul>
<ul style="list-style-type: none"> <li>- Interior is No. IS251I</li> </ul>
<ul style="list-style-type: none"> <li>- Screw terminals backed out</li> </ul>
<ul style="list-style-type: none"> <li>- Less set screw unless otherwise specified</li> </ul>
<ul style="list-style-type: none"> <li>- cULus Listed &amp; CSA Certified</li> </ul>



<p><b>IS253P</b> 3-Way Electrolier Screw Terminals</p>

<ul style="list-style-type: none"> <li>- 3-Way L-M-H-OFF</li> </ul>
<ul style="list-style-type: none"> <li>- For operating a 2 filament lamp</li> </ul>
<ul style="list-style-type: none"> <li>- Removable turn knob</li> </ul>
<ul style="list-style-type: none"> <li>- Interior is No. IS253I</li> </ul>
<ul style="list-style-type: none"> <li>- Screw terminals backed out</li> </ul>
<ul style="list-style-type: none"> <li>- Less set screw unless otherwise specified</li> </ul>
<ul style="list-style-type: none"> <li>- 250W, 250V</li> </ul>
<ul style="list-style-type: none"> <li>- cULus Listed &amp; CSA Certified</li> </ul>

INCANDESCENT

**MEDIUM BASE BOTTOM TURN KNOB SOCKET**

**IS216T Single Light One Piece Bottom Turn Knob Socket**

  <p><b>E - 26</b></p>	<p><b>1" BASE DIAMETER</b></p>	<ul style="list-style-type: none"> <li>- One piece phenolic bottom turn socket, featuring built-in rotary switch with non-removable knob</li> <li>- Corrosion protected bracket mounted on 1/8" IPS flat-sided bushing</li> </ul>	<ul style="list-style-type: none"> <li>- Available with screw terminals or wire leads</li> <li>- Screws are #6-32, backed out</li> <li>- Supplied with hex nut installed</li> <li>- Finishing nut supplied separately</li> <li>- cULus Listed</li> </ul>
--	--------------------------------	---	--

	
---	--

FOR MORE INFORMATION PLEASE CALL 1-800-661-9610 (HEAD OFFICE) 1-888-762-5384 (USA)

PLEASE CONSULT THE FACTORY FOR MORE PRODUCTS AND CUSTOMIZATION. PRODUCT DETAILS AND SPECIFICATIONS ARE SUBJECT TO CHANGE WITHOUT NOTICE.



MEDIUM BASE BOTTOM TURN KNOB SOCKET

IS218TD Single Light TWO Piece Bottom Turn Knob Socket with Phenolic "D" Husk

	 E - 26	<b>1" BASE DIAMETER</b>	<ul style="list-style-type: none"> <li>- Phenolic interior and removable husk, featuring built-in rotary ON-OFF switch with non-removable knob</li> <li>- Flats on bushing and husk prevent rotation of husk and finishing nut</li> <li>- Standard screw shell is aluminum, brass or nickel-plated copper are available upon request</li> <li>- Available with #6-32 screws, backed out, or eyelets for soldering</li> <li>- Two husks are available: D Type for SPT-2</li> <li>- cULus Listed</li> </ul>

INCANDESCENT

WEATHERPROOF MEDIUM BASE LAMPHOLDER

IS513 Phenolic Pin Type Weatherproof Lampholder

	 E - 26	<b>1" BASE DIAMETER</b>	<ul style="list-style-type: none"> <li>- Heavy duty phenolic body</li> <li>- Accepts no. 14 AWG stranded insulated wire</li> <li>- Ideal for stringing multiple lamps on the same conductors</li> <li>- The pin terminals pierce the insulation of the wire to provide a safe positive connection without stripping, bending or tightening screws.</li> <li>- Has an integral molded screw shell with skeleton type contacts</li> <li>- Rated 660W at 250V</li> <li>- cULus listed</li> </ul>

IS514 Phenolic Pin Type Weatherproof Lampholder

	 E - 26	<b>1" BASE DIAMETER</b>	<ul style="list-style-type: none"> <li>- Two piece heavy duty phenolic body</li> <li>- Accepts no. 14 AWG or no. 12 AWG stranded insulated wire</li> <li>- Ideal for stringing multiple lamps on the same conductors</li> <li>- As the cap is screwed on, the pin terminals pierce the insulation of the wire to provide a safe positive connection without stripping, bending or tightening screws.</li> <li>- With plated steel wire hook</li> <li>- Has an integral molded screw shell with skeleton type contacts</li> <li>- Rated 660W at 250V</li> <li>- cULus listed</li> </ul>



**CEILING AND SURFACE MEDIUM BASE LAMPHOLDER**

**IS271 Keyless Two Piece Surface Mount Lamp Receptacle**

		<b>1" BASE DIAMETER</b>	<ul style="list-style-type: none"> <li>- High heat phenolic body and cap 2 1/8" outside diameter by 1 1/32" overall height</li> <li>- Cap tightens to screw shell</li> <li>- Aluminum screw shell is standard</li> <li>- Concealed #6-32 screw terminals backed out for easy wiring</li> </ul>	<ul style="list-style-type: none"> <li>- Provided with two #8-32 threaded brass bushings spaced on 1 7/32" centres for mounting</li> <li>- 660W, 250V</li> <li>- cULus Listed</li> </ul>

**TAPS, OUTLETS, ADAPTER ELECTRICAL ACCESSORIES**

**IS270-12TEW Phenolic Adapter with Mounting Ears**

		<b>1" BASE DIAMETER</b>	<ul style="list-style-type: none"> <li>- One piece phenolic body with standard male screw shell with reinforcing ring</li> <li>- Has two ears on 19/32" centres for mounting</li> <li>- Standard screw shell is aluminum. Brass or nickel-plated, brass available upon request</li> <li>- Adapter is available with or without leads</li> </ul>	<ul style="list-style-type: none"> <li>- Standard wire leads are 18 AWG, TEW 105°C, 6" long, stripped 1/2"</li> <li>- Can be supplied harnessed to most sockets on request</li> <li>- 660W, 250V</li> <li>- cULus Listed</li> </ul>

**IS270-1SE Phenolic Flanged Adapter**

		<b>1" BASE DIAMETER</b>	<ul style="list-style-type: none"> <li>- One piece phenolic body with standard male screw shell with reinforcing ring</li> <li>- Standard screw shell is aluminum. Brass or nickel-plated, brass available upon request</li> <li>- Adapter is available with or without leads</li> <li>- Standard wire leads are 18 AWG, TEW 105°C, 6" long, stripped 1/2"</li> </ul>	<ul style="list-style-type: none"> <li>- Can be supplied harnessed to most sockets on request</li> <li>- 660W, 250V</li> <li>- cULus Listed</li> </ul>

FOR MORE INFORMATION PLEASE CALL 1-800-661-9610 (HEAD OFFICE) 1-888-762-5384 (USA)

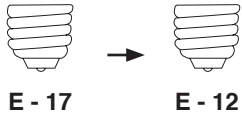
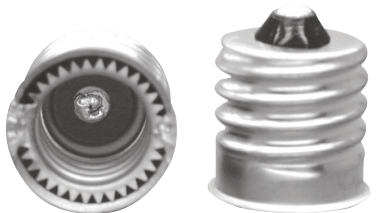
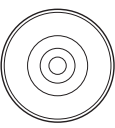
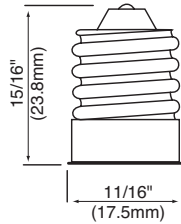
PLEASE CONSULT THE FACTORY FOR MORE PRODUCTS AND CUSTOMIZATION.  
PRODUCT DETAILS AND SPECIFICATIONS ARE SUBJECT TO CHANGE WITHOUT NOTICE.

## ACCESSORIES AND ADAPTERS

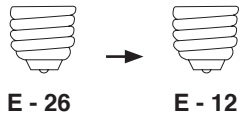

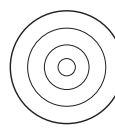
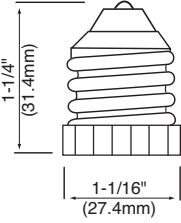
H20

### TAPS, OUTLETS, ADAPTER ELECTRICAL ACCESSORIES

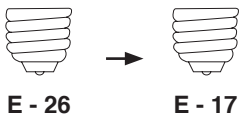

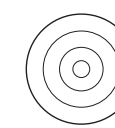
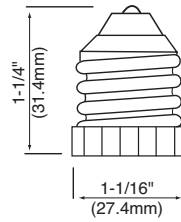
#### IS278 Socket Reducer Adapter Intermediate to Candelabra

 <p><b>E - 17</b> → <b>E - 12</b></p>	<p><b>21/32" TO 1/2"</b> <b>BASE DIAMETER</b></p>	<ul style="list-style-type: none"> <li>- Brass screw shell</li> <li>- Converts intermediate base to candelabra base</li> </ul>	<ul style="list-style-type: none"> <li>- Simply screws into existing lampholder</li> <li>- Rated 75W 120V</li> </ul>
			

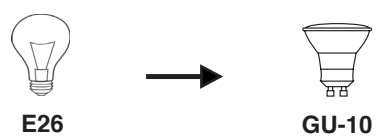

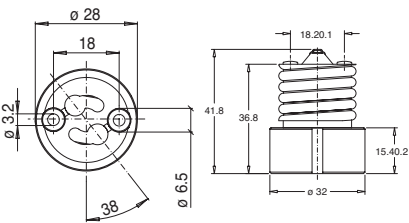
#### IS279 Socket Reducer Adapter Medium to Candelabra

 <p><b>E - 26</b> → <b>E - 12</b></p>	<p><b>1" TO 1/2"</b> <b>BASE DIAMETER</b></p>	<ul style="list-style-type: none"> <li>- Phenolic body with brass screw shell</li> <li>- Converts medium base to candelabra base</li> </ul>	<ul style="list-style-type: none"> <li>- Simply screws into existing lampholder</li> <li>- Rated 75W 120V</li> </ul>
			

#### IS280 Socket Reducer Adapter Medium to Intermediate

 <p><b>E - 26</b> → <b>E - 17</b></p>	<p><b>1" TO 21/32"</b> <b>BASE DIAMETER</b></p>	<ul style="list-style-type: none"> <li>- Phenolic body with brass screw shell</li> <li>- Converts medium base to intermediate base</li> </ul>	<ul style="list-style-type: none"> <li>- Simply screws into existing lampholder</li> <li>- Rated 250W 250V</li> </ul>
			

#### E26 GU-10 Base Adapter

 <p><b>E26</b> → <b>GU-10</b></p>	<ul style="list-style-type: none"> <li>- High heat Steatite body</li> <li>- Nickel-plated copper screw shell</li> <li>- Allows conversion of GU-10 TAL lamps to medium base for line voltage applications</li> <li>- Lamp simply twists into the adapter, which easily screws into medium base lampholder</li> </ul>	<ul style="list-style-type: none"> <li>- Useful in converting existing recessed cans to line voltage halogen (new trims must be installed)</li> <li>- Design patent pending</li> <li>- cULus Listed</li> </ul>
		

INCANDESCENT

## ACCESSORIES AND CEILING LAMPHOLDER

H21

### ELECTRICAL ADAPTER / CEILING & SURFACE MEDIUM BASE LAMPHOLDER

#### IS276-A Porcelain One Piece Extender Medium to Medium

		<b>1" BASE DIAMETER</b>	<ul style="list-style-type: none"> <li>- One piece porcelain body</li> <li>- Used to extend lamp in cans and when using Capsulyte halogen lamps</li> <li>- Extends lamp 1 1/4" longer</li> </ul>	<ul style="list-style-type: none"> <li>- Standard screw shell is aluminum, nickel-plated copper available upon request</li> <li>- 660W, 250V</li> <li>- UL Listed</li> </ul>

#### IS281 Socket Reducer Adapter Mogul to Medium

	→		<b>1 1/2" TO 1" BASE DIAMETER</b>	<ul style="list-style-type: none"> <li>- Porcelain body with aluminum screw shell</li> <li>- Converts mogul base to medium base</li> </ul>	<ul style="list-style-type: none"> <li>- Simply screws into existing lampholder</li> <li>- Rated 660W 250V</li> </ul>

#### IS287 Socket Extender Mogul to Mogul

	→		<b>1 1/2" TO 1" BASE DIAMETER</b>	<ul style="list-style-type: none"> <li>- Porcelain body with aluminum screw shell</li> <li>- Extends socket to create added clearance</li> </ul>	<ul style="list-style-type: none"> <li>- Simply screws into existing lampholder</li> <li>- Rated 660W 250V</li> </ul>

### CEILING AND SURFACE MEDIUM BASE LAMPHOLDER

#### IS264 Ceiling Medium Base Keyless Receptacle

		<b>1" BASE DIAMETER</b>	<ul style="list-style-type: none"> <li>- Two piece heavy duty porcelain body</li> <li>- Mounts on 4" outlet boxes and have breakouts for 3 1/4" boxes</li> <li>- Mounting screws are provided</li> <li>- 2 backed out screws for easier wiring</li> </ul>	<ul style="list-style-type: none"> <li>- Aluminum screw shell is standard</li> <li>- Standard colour is white</li> <li>- Rated 250W at 250V</li> <li>- cULus listed</li> </ul>

FOR MORE INFORMATION PLEASE CALL 1-800-661-9610 (HEAD OFFICE) 1-888-762-5384 (USA)

PLEASE CONSULT THE FACTORY FOR MORE PRODUCTS AND CUSTOMIZATION.  
PRODUCT DETAILS AND SPECIFICATIONS ARE SUBJECT TO CHANGE WITHOUT NOTICE.







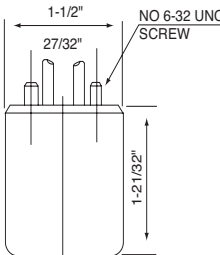
INCANDESCENT

## MEDIUM BASE





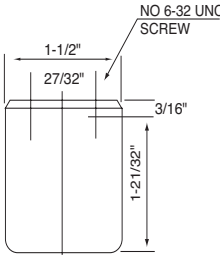
H22

### MEDIUM BASE HID 4KV PULSE RATED LAMPHOLDERS





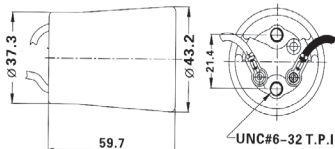
#### IS267S-1 Medium Base 4KV Pulse Rated Lampholder with 6/32" Mounting Screws

		<b>1" BASE DIAMETER</b>	<ul style="list-style-type: none"> <li>- White glazed porcelain body</li> <li>- Copper alloy nickel-plated screw shell</li> <li>- Copper alloy nickel-plated centre contact</li> <li>- Standard leads are 18 AWG, SEW-2 (SF2) 600V 200°C, 12" long, or specify desired wire and length</li> </ul>	<ul style="list-style-type: none"> <li>- Supplied with insulating fibre</li> <li>- Supplied with two #6-32 mounting screws on 27/32" centres</li> <li>- Die cast caps are available</li> <li>- 660W, 600V</li> <li>- UL Listed</li> </ul>
				

#### IS267S-2 Medium Base 4KV Pulse Rated Lampholder with 6/32" Female Bushings

		<b>1" BASE DIAMETER</b>	<ul style="list-style-type: none"> <li>- White glazed porcelain body</li> <li>- Copper alloy nickel-plated screw shell</li> <li>- Copper alloy nickel-plated centre contact</li> <li>- With screw terminals</li> <li>- Supplied with insulating fibre</li> </ul>	<ul style="list-style-type: none"> <li>- Supplied with two captive #6-32 threaded bushings on 27/32" centres</li> <li>- Die cast caps are available</li> <li>- 660W, 600V</li> <li>- UL Listed</li> </ul>
				

#### IS267-EP-1 4KV Pulse Rated-Medium Base with Mounting Screws

		<b>1" BASE DIAMETER</b>	<ul style="list-style-type: none"> <li>- For use in applications with the GE MXR 32W Metal Halide lamp.</li> <li>- Copper alloy nickel-plated screw shell. Leaf spring supported nickel plated center contact.</li> <li>- White glazed porcelain body.</li> <li>- Special extended body design to conform with UL requirements for the live screwshell</li> </ul>	<ul style="list-style-type: none"> <li>- Standard leads are 18 gauge SF-200C leads 12" long</li> <li>- Available with lamp grip screwshell.</li> <li>- Available with screwshell reinforcing washers</li> <li>- 660W, 600V</li> <li>- cULus</li> </ul>
				

**MEDIUM BASE HID 4KV PULSE RATED LAMPHOLDERS**

**IS268 Medium Base 4KV Pulse Rated Snap-in Mounting Lampholder**

		<b>1" BASE DIAMETER</b>	<ul style="list-style-type: none"> <li>- White glazed porcelain body</li> <li>- Copper alloy nickel-plated screw shell</li> <li>- Has high dielectric construction with heat resistant mica insulator between screw shell and centre contact</li> </ul>	<ul style="list-style-type: none"> <li>- Snaps in from the top of panel</li> <li>- Available with screw terminals, wire leads, or .250" x .032" male quick connect tabs</li> <li>- 660W, 600V</li> <li>- cULus Listed</li> </ul>

**MOGUL BASE HID PULSE RATED LAMPHOLDERS**

**IS4221 Series Mogul Base 5W Pulse Rated Lampholder**

		<b>1-1/2" BASE DIAMETER</b>	<ul style="list-style-type: none"> <li>- White glazed porcelain body with wireways</li> <li>- Nickel-plated copper alloy screw shell with lamp grips</li> <li>- Stainless steel centre contact</li> <li>- Standard leads are 16 AWG, SEW-2, 200°C, 12" long, stripped 1/2"</li> </ul>	<ul style="list-style-type: none"> <li>- Available with 8/32" pal nuts or bushings, or 8/32" captive screws</li> <li>- Insulator is included</li> <li>- Rated 1,500W, 600V</li> <li>- cULus Listed</li> </ul>
IS4221-1 Series □ Screw Terminal Type	IS4221-2 Series □ Leads Lugged To Screw Shell And Centre Contact	IS4221-3 Series □ Male Tab Type	IS4221-4 Series □ Leads Lugged To Screws At Back Of Socket	
<p>To order, add series type to part number. Example: IS4221-X for the series type, therefore IS4221-4-12SNPLW is leads lugged to back of socket, 12" SEW-2 leads, NPCSS, pal nuts and wireways.</p>				

FOR MORE INFORMATION PLEASE CALL 1-800-661-9610 (HEAD OFFICE) 1-888-762-5384 (USA)

PLEASE CONSULT THE FACTORY FOR MORE PRODUCTS AND CUSTOMIZATION.  
PRODUCT DETAILS AND SPECIFICATIONS ARE SUBJECT TO CHANGE WITHOUT NOTICE.





**MOGUL BASE HID 5KV PULSE RATED LAMPHOLDERS**

**IS4225-OR-1** 5KV Pulse Rated-Mogul Base with Mounting Screws

**IS4225-OR-2** 5KV Pulse Rated-Mogul Base with Pal Nuts for Mounting

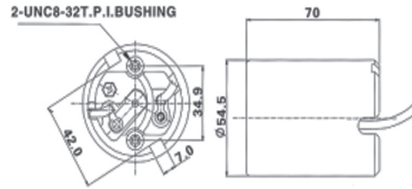


E - 39

**1-1/2" BASE DIAMETER**

- For use in applications for open rated fixture Metal Halide lamps.
- Copper alloy nickel-plated screw shell.
- Leaf spring supported nickel plated center contact.
- Light pink glazed porcelain body.
- Special design that will not make the center contact of standard metal halide lamps

- Standard leads are 18 gauge SF-200C leads 12" long
- Available with lamp grip screwshell.
- Available with screwshell reinforcing washers.
- 660W, 600V
- c UL us & c CSA us Listed



**IS4225 Series Mogul Base 5KV Pulse Rated Lampholder**

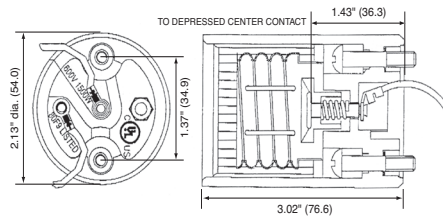


E - 39

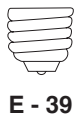
**1-1/2" BASE DIAMETER**

- Porcelain grey glazed body with ceramic arc shield
- Nickel plated copper alloy screw shell with lamp grips
- Leads are crimped for excellent wire retention
- 14 AWG SF-2 (SEW-2) 200°C 600V glass braid 12" long are standard, other lengths are available upon request
- Male tabs available to reduce inventory and allow for faster fixture wiring

- Wireways are standard but are available without on special order
- Die cast caps and insulators are available
- Add suffix "-1" for mounting screws
- Add suffix "-2" for female bushings
- Add suffix "-4" for female pal nuts
- Rated 1500W 600V
- cULus listed



**IS4225-1-PO Series Mogul Base 5KV Position Oriented Lampholder**

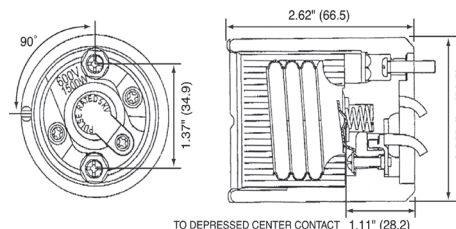


E - 39

**1-1/2" BASE DIAMETER**

- Designed for horizontal oriented HID lamps
- Has a body notch on the rim for correct mounting orientation
- Nickel plated copper alloy screw shell with lamp grips
- Leads are crimped for excellent wire retention
- 14 AWG SF-2 (SEW-2) 200°C 600V glass braid 12" long are standard, other lengths are available upon request

- Male tabs available to reduce inventory and allow for faster fixture wiring
- Wireways are standard but are available without on special order
- Die cast caps and insulators are available
- Add suffix "-1" for mounting screws
- Add suffix "-2" for female bushings
- Add suffix "-4" for female pal nuts
- Rated 1500W 600V
- cULus listed





MOGUL BASE HID 5KV PULSE RATED LAMPHOLDERS

IS4226 Series Mogul Base 6KV Pulse Rated Lampholder

<p><b>E - 39</b></p>	<p><b>1-1/2" BASE DIAMETER</b></p>	<ul style="list-style-type: none"> <li>- Designed for horizontal oriented HID lamps</li> <li>- Used in parking lot, industrial, street and outdoor lighting applications</li> <li>- Nickel plated copper alloy screw shell with lamp grips</li> <li>- Leads are crimped for excellent wire retention</li> <li>- 14 AWG SF-2 (SEW-2) 200°C 600V glass braid 12" long are standard, other lengths are available upon request</li> </ul>	<ul style="list-style-type: none"> <li>- Male tabs available to reduce inventory and allow for faster fixture wiring</li> <li>- Wireways are standard but are available without on special order</li> <li>- Die cast caps and insulators are available</li> <li>- Add suffix "-1" for mounting screws</li> <li>- Add suffix "-2" for female bushings</li> <li>- Add suffix "-4" for female pal nuts</li> <li>- Rated 1500W 600V</li> <li>- cULus listed</li> </ul>

ISP METAL CAP

ISP55 1/4" IPS Metal Cap for IS4221 Series / ISP55-1/2 1/2" IPS Metal Cap for IS4221 Series

<p>- Die cast mogul cap for IS4221 series lampholders</p>	<p>- Caps have two #8-32 tapped mounting holes on 1 3/8" centres</p>
<p>1/4-18 STRAIGHT PIPE THD. 8-40 SET SCREW 9/16 (14.29) 1-15/16 (49.21) 9/32 (7.14)</p>	

TCO Series Thermal Cutouts and Covers

<ul style="list-style-type: none"> <li>- Available in heat resistant plastic or metal to securely hold thermal cut out in recessed housings</li> <li>- Plastic body is easily and quickly snapped in to holes in the panel</li> <li>- For ease of assembly the cover should be inserted into the panel in the same direction as panel pouch</li> <li>- Metal body has metal ears which are easily rolled over the secure to the panel</li> </ul>	<ul style="list-style-type: none"> <li>- Eliminates the need for heat shrink tubing</li> <li>- Greatly enhances the assembly time</li> <li>- Available in 5°C increments from 80°C to 130°C</li> <li>- Thermal cut out come with 6" SEW-1 leads as standard. Other lengths available.</li> </ul>
--	--

<p>1.45" (36.8mm) 0.418" (10.6mm) 0.542" (13.77mm) 0.405" (10.27mm) Panel Thickness 0.020 - 0.035 0.200 (2) 0.025 0.002 0.135 (2) 1.305 0.150</p>	<p>1.17" (29.75mm) 0.227" (5.78mm) 0.320" (8.10mm) 0.520" (13.2mm) 0.125" (3.17mm) 0.175" (4.45mm) 0.350" (8.89mm) 0.175" (4.45mm) 0.475"</p>	<table border="1"> <thead> <tr> <th>PART NO.</th> <th>DESCRIPTION</th> </tr> </thead> <tbody> <tr> <td>TCO Plastic Cover</td> <td>Snap-in Plastic Cover</td> </tr> <tr> <td>TCO Metal Cover</td> <td>Metal Cover with Ears</td> </tr> <tr> <td>TCO-85C-6</td> <td>Thermal Cut Out 85°C</td> </tr> <tr> <td>TCO-90C-6</td> <td>Thermal Cut Out 90°C</td> </tr> <tr> <td>TCO-105C-6</td> <td>Thermal Cut Out 105°C</td> </tr> <tr> <td>TCO-110C-6</td> <td>Thermal Cut Out 110°C</td> </tr> <tr> <td>TCO-130C-6</td> <td>Thermal Cut Out 130°C</td> </tr> </tbody> </table>	PART NO.	DESCRIPTION	TCO Plastic Cover	Snap-in Plastic Cover	TCO Metal Cover	Metal Cover with Ears	TCO-85C-6	Thermal Cut Out 85°C	TCO-90C-6	Thermal Cut Out 90°C	TCO-105C-6	Thermal Cut Out 105°C	TCO-110C-6	Thermal Cut Out 110°C	TCO-130C-6	Thermal Cut Out 130°C
PART NO.	DESCRIPTION																	
TCO Plastic Cover	Snap-in Plastic Cover																	
TCO Metal Cover	Metal Cover with Ears																	
TCO-85C-6	Thermal Cut Out 85°C																	
TCO-90C-6	Thermal Cut Out 90°C																	
TCO-105C-6	Thermal Cut Out 105°C																	
TCO-110C-6	Thermal Cut Out 110°C																	
TCO-130C-6	Thermal Cut Out 130°C																	
<p>TCO PLASTIC COVER</p>	<p>TCO METAL COVER</p>																	

FOR MORE INFORMATION PLEASE CALL 1-800-661-9610 (HEAD OFFICE) 1-888-762-5384 (USA)

PLEASE CONSULT THE FACTORY FOR MORE PRODUCTS AND CUSTOMIZATION. PRODUCT DETAILS AND SPECIFICATIONS ARE SUBJECT TO CHANGE WITHOUT NOTICE.



**DISTRIBUTOR**

**PACKAGE**

**PROGRAM**

**AVAILABLE**



## SECTION I LAMP PARTS

Sockets	12 - 15
Dimmer	16
Switches / Outlets and Plugs	16 - 17
Cords / Bushings	18
Strain Relief / Hickeys / Cup Washer / Caps / Key Extension	19
Turn Knob / Connectors / String / Swivel	110
Loops / Reducers and Couplings / Followers / Necks	111
Check Ring / Harps / Harps Clamp / Finial / Clamp Shade Holders / Risers	112
Nuts / Solid Brass Balls / Screws / Running Threads	113
Pipe / Hexnuts / Washers	114
Crossbars / Chains	115 - 116
Beaded Chains / Chain Pliers / Hook Set	116
Candle Covers / Canopies	117
Holder	118
Canopy Kits	118
Lamp Kits	119
Appendix and Suffix Guide	120



# LAMP PARTS

# LAMP PARTS

12

## SOCKETS

### Push Thru

<b>ED# IS219M-A</b>

7080-00 Push thru socket, medium base, metal shell

<b>ED# IS219P-A</b>

95110-00 Push thru socket, medium base bakelite shell

### Pull Chain

<b>ED# IS230M-A</b>

19980-00 Pull chain-on/off, medium base metal shell

<b>ED# IS230P-A</b>

95060-00 Pull chain-on/off, medium base, bakelite shell

### Turn Knob


	<b>ED# IS253M-A</b>
	9090-00 Trilight-metal
	<b>ED# IS253MSB4</b>
	9090-BR Trilight-brass bridge thread
	<b>ED# IS252M</b>
	9091-00 circuit-metal
	<b>ED# IS251M-A</b>
	20083-00 On/off - metal *used with 10017*

	<b>ED#IS253P</b>
	95106-00 Turn knob-trilight medium base bakelite shell
	<b>ED# IS251P</b>
	950083-00 Turn knob-trilight medium base bakelite shell

<b>ED# IS252M</b>

6155-00 Hi-low-metal, medium base

### Socket Accessories:

<b>1/4 IP CAP</b>

Socket cap only metal-1/4 IP

<b>UNO-SHELL</b>

Shell-top only, solid brass for bridge shades



**SOCKETS**

**Keyless**

**ED# IS250M**



9347-00  
Keyless socket, medium base, metal shell, bridge thread, solid brass

**ED# IS250P**



95080-00  
Keyless socket, medium base, bakelite

**Trilight with Ring**

**ED# IS250-PR**



95090-00  
Keyless socket, bakelite with ring


**ED# IS253P-OUTER-THREAD+RING**



95100-00  
Ring only bakelite used with 95100 or 95090

**Socket Ring**

**RING-00**



Ring only bakelite used with 95100 or 95090

**Bakelite**

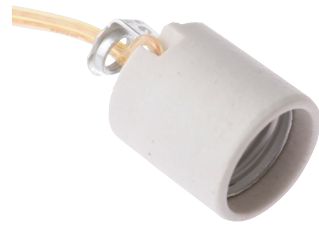
**ED# IS275-01S-A**



3352-00  
Keyless-bakelite with 1/2" hickey


**Porcelain**

**ED# IS211-04S-42PPAG**




211-00  
Keyless-porcelain with 1/2" hickey, 42" SPT1 leads, green ground wire

**ED# IS2210-TA**



10045-00  
Keyless-porcelain medium base used with 3347 cap\* (SOLD SEPERATELY)

**ED# IS241P-SCTERM**



10046-00  
Keyless-porcelain medium base threaded for metal ring

**ED# IS211T-01A**




3152-00  
Keyless-porcelain with 1/2" hickey

**8600-00**




Mogul trilight turn-knob porcelain complete with hickey -1/4IP

**ED# ISP-51**



3347-00  
Cap-metal for 10045

**ED# ISP-08**



METAL RING  
Ring only metal -for use with 10046



FOR MORE INFORMATION PLEASE CALL 1-800-661-9610 (HEAD OFFICE) 1-888-762-5384 (USA)

PLEASE CONSULT THE FACTORY FOR MORE PRODUCTS AND CUSTOMIZATION. PRODUCT DETAILS AND SPECIFICATIONS ARE SUBJECT TO CHANGE WITHOUT NOTICE.




SOCKETS

Socket Reducer

<p>ED# IS279</p> 	<p>ED# IS278</p> 	<p>ED# IS281</p> 	<p>ED# IS276-A</p> 
<p>8679-00 Socket reducer edison to candelabra E26 to E12</p>	<p>8680-00 Socket reducer intermediate to candelabra E17 to E12</p>	<p>8681-00 Socket reducer mogul to edison porcelain E40 to E26 <i>*socket no longer trilight when used</i></p>	<p>2005-00 Socket extension edison to edison porcelain E26 to E26</p>

Clip Sockets

<p>ED# NLS-1F-6FS</p> 
<p>10017-06 Clip socket with 6' white cord with switch</p>

Sockets - Candelabra

<p>ED# IS05-773</p> 	<p>ED# IS05-772</p> 	<p>ED# IS05-751</p> 
<p>10025-00 Candelabra socket 2" in height</p>	<p>10027-00 Candelabra socket 1 25/32" in height <i>Please see candle covers on Page O21</i></p>	<p>10026-00 Candelabra socket adjustable 3 1/2" to 4 5/8"</p>



**SOCKETS**

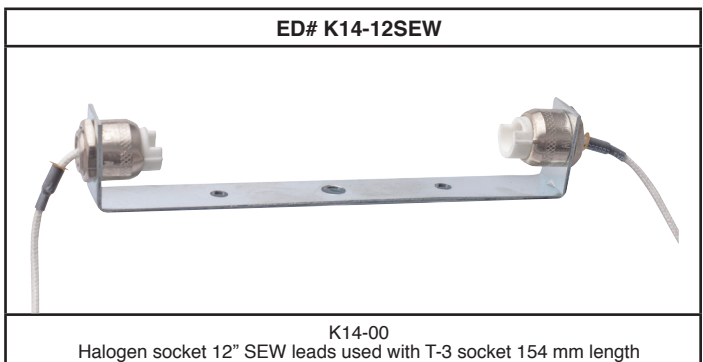
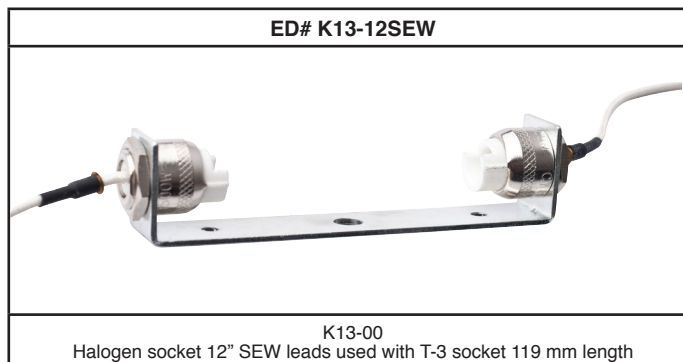
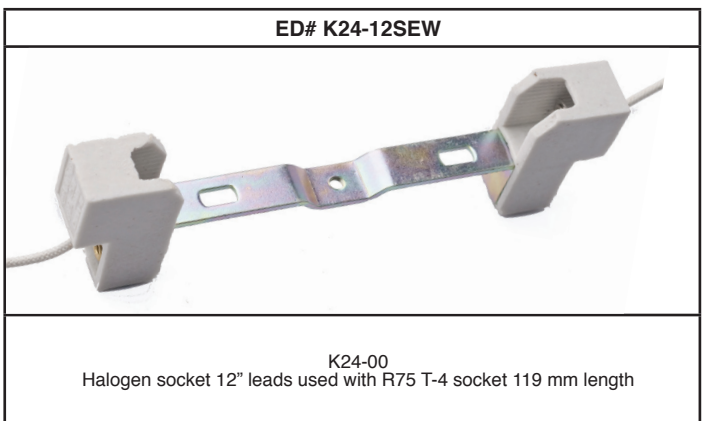
**Sockets - Candelabra**



**Sockets - Edison**



**Sockets - Halogen**



FOR MORE INFORMATION PLEASE CALL 1-800-661-9610 (HEAD OFFICE) 1-888-762-5384 (USA)

PLEASE CONSULT THE FACTORY FOR MORE PRODUCTS AND CUSTOMIZATION.  
PRODUCT DETAILS AND SPECIFICATIONS ARE SUBJECT TO CHANGE WITHOUT NOTICE.



# LAMP PARTS

16

## DIMMER / SWITCHES

### Touch Dimmer


<b>6202-00</b>

Touch dimmer 4 position Low-Med-High-OFF 300 watt max. black cord


### Foot Switch


<b>ED# FT555-BL</b>

555-07 Foot switch on/off for SPT2-wire black

<b>ED# FT555-WH</b>

555-13 Foot switch on/off for SPT2-wire white

### Dimmer

<b>ED# DS-02</b>

7202-00 Pole dimmer turn knob 500 watt max.

<b>ED# SC-233A</b>

560-07 Slide dimmer full range - black 5' cord switch to plug 6' cord to terminal ends

### Switches



<b>ED# FT101-WHITE-A</b>
413-13 Switch-in line WHITE for SPT1
<b>ED# FT101-BROWN-A</b>
413-16 Switch-in line BROWN for SPT1



<b>ED# FT102-WHITE-A</b>
423-13 Switch-in line WHITE for SPT2
<b>ED# FT102-BROWN-A</b>
423-16 Switch-in line BROWN for SPT2

<b>ED# FT103-BLACK</b>

433-07 High Low In Line Switch, BLACK, for SPT1 wire

<b>ED# FT103-WHITE</b>

433-13 Candelabra socket 1 25/32" in height for SPT2 WHITE

<b>ED# 5410-WHITE</b>



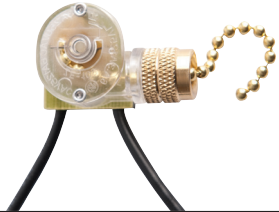

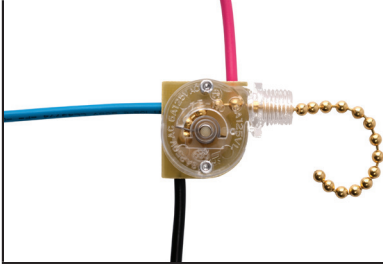

5410-13 Switch-in line WHITE for SPT2 or SVT

<b>ED# 5410-BROWN</b>






5410-16 Switch-in line BROWN for SPT2 or SVT

**SWITCHES / OUTLET AND PLUGS**

**Switches**

<p><b>ED# RS106-B</b></p> 	<p><b>ED# RS116-1-B</b></p> 	<p><b>ED# PC109-B</b></p> 
<p>577-00 Switch-ON-OFF turn knob brass-2 wire</p>	<p>682-00 Switch-3 way turn knob brass L1-L2-L1+L2-OFF -3 wire</p>	<p>10031-00 Switch-pull chain, brass ON/OFF 2 wire</p>
<p><b>ED# PC-109-N</b></p> 	<p><b>ED# PC110-B</b></p> 	<p><b>ED# T1720-BL</b></p> 
<p>10031-00 Pull chain switch, On / Off</p>	<p>10033-00 Switch-pull chain, 3-WAY</p>	<p>1720-00 Switch-on/off toggle-2 wire plastic-black</p>

**Outlet and Plugs**

	<p><b>ED# 1372-WH</b></p> <p>1372-00 Convenience outlet, grounded WHITE 3-wire.</p>	 	<p><b>123-07</b></p> <p>Snap plug-BLACK for SPT1</p>
<p><b>ED# 1372-BL</b></p> <p>1372-01 Convenience outlet, grounded BLACK 3-wire.</p>	<p><b>123-13</b></p> <p>Snap plug-WHITE for SPT1</p>	<p><b>123-16</b></p> <p>Snap plug-BROWN for SPT1 (not shown)</p>	
<p><b>301-13</b></p> 	<p><b>301-16</b></p> 		
<p>Plug-screw terminal WHITE for SPT2 OR SVT</p>	<p>Plug-screw terminal BROWN for SPT2 OR SVT</p>		

FOR MORE INFORMATION PLEASE CALL 1-800-661-9610 (HEAD OFFICE) 1-888-762-5384 (USA)

PLEASE CONSULT THE FACTORY FOR MORE PRODUCTS AND CUSTOMIZATION.  
PRODUCT DETAILS AND SPECIFICATIONS ARE SUBJECT TO CHANGE WITHOUT NOTICE.



**CORDS / BUSHINGS**

**Cords**



<b>ED# PCGD8SPT1TT</b>
18248-01 8'SPT1 18/2 CORD-GOLD TWIST & TIN
<b>ED# PCCL8SPT1TT</b>
18248-05 8'SPT1 18/2 CORD-SILVER TWIST & TIN
<b>ED# PCBL8SPT1TT</b>
18248-07 8'SPT1 18/2 CORD-BLACK TWIST & TIN
<b>ED# PCWH8SPT1TT</b>
18248-13 8'SPT1 18/2 CORD-WHITE TWIST & TIN
<b>ED# PCBR8SPT1TT</b>
18248-16 8'SPT1 18/2 CORD-BROWN TWIST & TIN

\*All SPT2-8' with 1-15P male plug twist & tinned, hanked



<b>ED# PCGD15SPT2TT</b>
18245-01 15' SPT2 18/2 CORD-GOLD TWIST & TIN
<b>ED# PCCL15SPT2TT</b>
18245-05 15' SPT2 18/2 CORD-SILVER TWIST & TIN
<b>ED# PCBL15SPT2TT</b>
18245-07 15' SPT2 18/2 CORD-BLACK TWIST & TIN
<b>ED# PCWH15SPT2TT</b>
18245-13 15' SPT2 18/2 CORD-WHITE TWIST & TIN
<b>ED# PCBR15SPT2TT</b>
18245-16 15' SPT2 18/2 CORD-BROWN TWIST & TIN

\*All SPT2 15' with 1-15P male plug, twist & tinned, hanked



<b>ED# PCGD6SPT1SW24</b>
18247-01 6' SPT2 18/2 Cord-GOLD with with switch-6' switch 24" from plug
<b>PCCL6SPT1SW24</b>
18247-05 6' SPT2 18/2 Cord-SILVER with with switch-6' switch 24" from plug

**Bushings**



<b>ED# SBE375-4</b>
5328-07 Snap bushing 0.375" OD - 0.250" ID-BLACK
<b>ED# SBE375-4WH</b>
5328-13 Snap bushing 0.375" OD - 0.250" ID-WHITE-



<b>ED# TLB-125</b>
1350-07 Female bushing 1/8 IP BLACK
<b>ED# TLB-125WH</b>
1350-13 Female bushing 1/8 IP WHITE


\*THREADED INTERIOR FOR 1/8 IP \*



<b>ED# SBE312-3</b>
5329-07 Snap bushing 0.312" OD - 0.187" ID-BLACK
<b>ED# SBE312-3WH</b>
5329-13 Snap bushing 0.312" OD - 0.187" ID-WHITE


**STRAIN RELIEF / HICKEYS / CUP WASHERS / CAPS / KEY / EXTENSION**

**Strain Relief**

	<b>ED# 71778</b>	<b>ED# 71780</b>
	5330-07 Strain relief-BLACK MALE	5331-07 Strain relief-BLACK FEMALE
	<b>ED# 71777</b>	<b>ED# 71779</b>
	5330-13 Strain relief-WHITE MALE	5331-13 Strain relief-WHITE - FEMALE

**\*\*These consist of two threaded parts which screw together\*\*  
FOR SVT 18/2 OR SVT 18/3 WIRE SIZES**


**Hickeys**


	<b>B01-00</b>
	HICKEY-1/8 x 1/8 IP
	<b>B02-00</b>
	HICKEY-1/8 x 1/4 IP
	<b>B04-00</b>
HICKEY- #8/32 x 1/8 IP	
<b>B20-00</b>	
HICKEY-1/4 x 1/4 IP	

**Cup Washers**


	<b>WACUP10BR</b>
	CUP WASHER for ground screw - #10 STUD
	<b>WACUP8BR</b>
CUP WASHER for ground screw - #8 STUD	

**Caps**


<b>1479-13</b>

Cap-plastic WHITE 1/8 IP-3/4" diam. 13/32" height

<b>119-00</b>

Cap-brass 1/8 IP-9/16" diam. 1/4" height

**Key**

<b>2285-18</b>

Key-brass pl. 4/36 thread 1 1/2" length

**Extension**

<b>286-00</b>

Key extension-brass 4/36 thread 1" length

**FOR MORE INFORMATION PLEASE CALL 1-800-661-9610 (HEAD OFFICE) 1-888-762-5384 (USA)**

PLEASE CONSULT THE FACTORY FOR MORE PRODUCTS AND CUSTOMIZATION.  
PRODUCT DETAILS AND SPECIFICATIONS ARE SUBJECT TO CHANGE WITHOUT NOTICE.







TURN KNOB / CONNECTORS / STRING / SWIVEL

Turn Knob

558-00	559-00	6417-16	6418-16
			
Turn knob, solid brass 4/36 thread, 1 1/2" length	Turn knob solid brass 7/16" height, 8-32F	Turn knob 6/32 BROWN	Turn knob 4/32 BROWN

Connectors



	<b>ED# E-1</b>	<b>ED# 2216-9</b>										
	1300-00 small 2-3 18ga											
	<b>ED# E-2</b>											
	1301-00 small 3-4 18ga.											
	<b>ED# E-3</b>											
	1302-00 Medium 2-5 18ga.											
<b>ED# E-4</b>	38-00 Ground wire connector slips 1/8 IP. For 22-16 AWG wire.											
1303-00 Large 2-7 18ga.												
<b>ED# E-5</b>												
1304-00 X-large 8-9 18ga.												
<table border="0"> <tr> <td style="text-align: center;">1300-00 (grey)</td> <td style="text-align: center;">1301-00 (blue)</td> <td style="text-align: center;">1302-00 (orange)</td> <td style="text-align: center;">1303-00 (yellow)</td> <td style="text-align: center;">1304-00 (red)</td> </tr> <tr> <td style="text-align: center;">E-1</td> <td style="text-align: center;">E-2</td> <td style="text-align: center;">E-3</td> <td style="text-align: center;">E-4</td> <td style="text-align: center;">E-5</td> </tr> </table>	1300-00 (grey)	1301-00 (blue)	1302-00 (orange)	1303-00 (yellow)	1304-00 (red)	E-1	E-2	E-3	E-4	E-5		
1300-00 (grey)	1301-00 (blue)	1302-00 (orange)	1303-00 (yellow)	1304-00 (red)								
E-1	E-2	E-3	E-4	E-5								

String

PC36-PC

<p>STRING String with connector and end bell attach WITH PC SWITCH</p>












Swivel

50-18	2414-00
	
SWIVEL-1/8IP brass plated 2 5/8" height.	SWIVEL-1/8IP solid brass 1 1/4" height





LOOPS / REDUCERS AND COUPLINGS / FOLLOWERS

Loops

<p><b>6256-21</b></p>  <p>Loop antique brass for 1/8IP-1" dia.</p>	<p><b>6256-26</b></p>  <p>Loop-nickel loops 1/8"IP-1" dia. with wireway</p>	<p><b>6257-18</b></p>  <p>Loop-brass plated loops 1/8"IP, with wireway 1" dia.</p>	<p><b>6257-21</b></p>  <p>Loop-antique brass for 1/8" IP - 1" dia., with wireway</p>
<p><b>313-00</b></p>  <p>Loop - solid brass for 1/8" IP - 1" dia. with wireway</p>	<p><b>315-00</b></p>  <p>Loop - solid brass for 1/4" IP - 1 1/2" dia. with wireway</p>	<p><b>6970-18</b></p>  <p>Loop-brass plated for 1/8"IP - with wireway 1 1/2" dia.</p>	<p><b>6970-21</b></p>  <p>Loop-antique brass for 1/8"IP with wireway 1 1/2" diam.</p>
<p><b>6292-00-BP</b></p>  <p>Loop-screw collar brass plated-zinc die cast Tap1/4"IP Seats 1" canopy hole</p>	<p><b>6292-18</b></p>  <p>Loop-screw collar brass - Tap 1/8"IP Seats 1" canopy hole</p>	<p><b>6292-21</b></p>  <p>Loop-screw collar antique brass 1/8"IP Seats 1" canopy hole</p>	

Reducers and Couplings

	<p><b>448-00</b></p>	<p><b>438-00</b></p>  <p>Reducer coupling 1/8 IP to 1/4 IP. Height: 1/2"</p>
	<p>Plain Coupling brass, 1/4IP to 1/4IP. Height: 5/8"</p>	
	<p><b>449-00</b></p> <p>Coupling-brass, 1/8IP to 1/8IP Height: 9/16"</p>	

FOR MORE INFORMATION PLEASE CALL 1-800-661-9610 (HEAD OFFICE) 1-888-762-5384 (USA)

PLEASE CONSULT THE FACTORY FOR MORE PRODUCTS AND CUSTOMIZATION. PRODUCT DETAILS AND SPECIFICATIONS ARE SUBJECT TO CHANGE WITHOUT NOTICE.



NECKS / CHECK RING / HARPS / FINIAL / CLAMP SHADE HOLDERS / RISERS

Necks


<b>202-18</b>

Neck-brass pl., 5/8" top diam., 7/8" bottom diam., 1" height, slip 1/8 IP

<b>2119-00</b>

Neck-brass, 13/16" diam., 1" height, slip 1/8 IP

Check Ring


BRASS PLATE 1/8 IP:			
	<b>713-18</b>	3/4"	Check ring brass plated
	<b>716-18</b>	7/8"	Check ring brass plated
	<b>718-18</b>	1"	Check ring brass plated
	<b>770-18</b>	1 1/8"	Check ring brass plated
	<b>733-18</b>	1 1/4"	Check ring brass plated
	<b>796-18</b>	2"	Check ring brass plated


Harps




REGULAR HARP		
<b>450-06-18</b>	6"	Harp brass plated
<b>450-07-18</b>	7"	Harp brass plated
<b>450-75-18</b>	7 1/2"	Harp brass plated
<b>450-08-18</b>	8"	Harp brass plated
<b>450-85-18</b>	8 1/2"	Harp brass plated
<b>450-09-18</b>	9"	Harp brass plated
<b>450-95-18</b>	9 1/2"	Harp brass plated
<b>450-10-18</b>	10"	Harp brass plated
<b>450-11-18</b>	11"	Harp brass plated
<b>450-12-18</b>	12"	Harp brass plated

Harp Clamps


<b>450-18</b>

Clamp 1/4 IP Brass plated

<b>451-18</b>

Clamp 1/8 IP Brass plated


Finial

<b>330-18</b>

Finial brass plated 1/4-27 thread, 1/2" height

Clamp Shade Holders

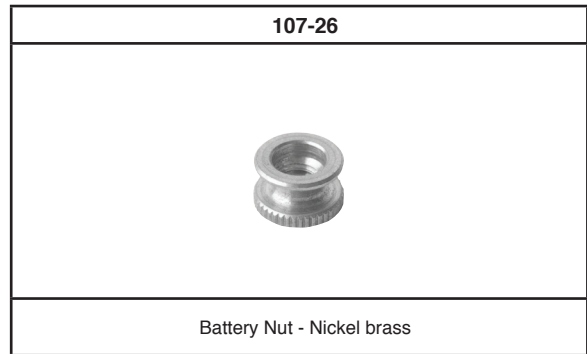
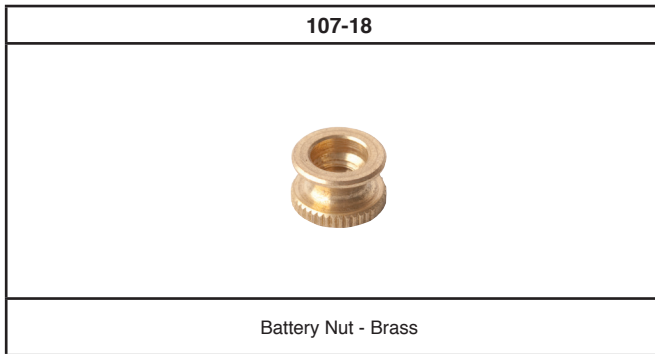
<b>652-18</b>

Clamp holder for edison A19 bulb

Risers

	<b>812-RR-1/2</b>
	RISER 1/2"
	<b>813-RR</b>
	RISER 1"
	<b>814-RR</b>
	RISER 1 1/2"
SOLID BRASS THREADED 1/4"-27 X 1/4"-27	

**NUTS / SOLID BRASS BALLS / SCREWS / RUNNING THREADS**

**Nuts - 8/32**



\*\* 8/32 thread-open end\*\*

\*\* 8/32 thread-open end\*\*

**Solid Brass Balls**

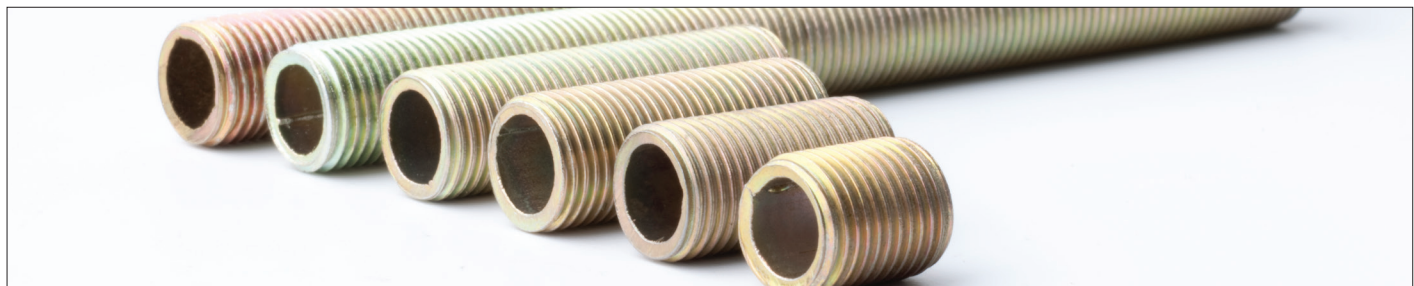
**Screws**



\*\* 8/32 thread-open end\*\*

\*\* 8/32 thread-open end\*\*

**Running Threads**



1/8 IP PIPE		
2310-00	1/2"	Running Thread
2313-00	3/4"	Running Thread
2316-00	1"	Running Thread
2319-00	1 1/4"	Running Thread
2322-00	1 1/2"	Running Thread
2323-00	1 3/4"	Running Thread
2324-00	2"	Running Thread
2326-00	2 1/2"	Running Thread
2328-00	3"	Running Thread
2340-18	6"	Running Thread
2350-18	12"	Running Thread

1/4 IP PIPE		
5481.5-00	1 1/2"	Running Thread
5482-00	2"	Running Thread
5483-00	3"	Running Thread

36" PIPE		
1800-00	36"	Running Thread - 1/4 IP
1801-00	36"	Running Thread - 1/8 IP
1804-00	24"	Threaded Rod 1/4-27 thread


FOR MORE INFORMATION PLEASE CALL 1-800-661-9610 (HEAD OFFICE) 1-888-762-5384 (USA)

PLEASE CONSULT THE FACTORY FOR MORE PRODUCTS AND CUSTOMIZATION.  
PRODUCT DETAILS AND SPECIFICATIONS ARE SUBJECT TO CHANGE WITHOUT NOTICE.

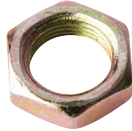
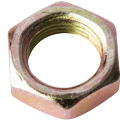



PIPE / HEXNUTS / WASHERS / CROSSBARS


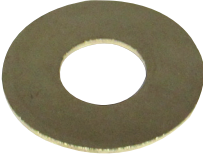


Pipe

<b>12" S x S</b>

Pipe thread each end 12" length - Brass plated. 1/8 IP. Threaded 1" each end.









Hexnuts

<b>425-18</b>	<b>430-18</b>	<b>1325-00</b>
		
Hexnut - 1/8 IP 1/4" thick	Hexnut - 1/8 IP 1/8" thick	Hexnut - 1/4 IP 1/8" thick

Washers


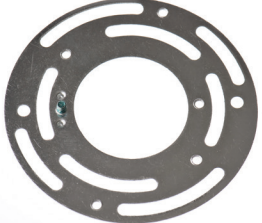


	<b>1182-X</b>	<b>1226-18</b>	<b>1213-13</b>	<b>GROUND SCREW</b>
	LOCKWASHER Black Oxide Slips & 1/4 IP			
	<b>1183-X</b>	WASHER BRASS plated 1" diam. slips 1/8 IP	RUBBER WASHER 1" diam. slips 1/8 IP	#8/32 X 1/4" Green Ground Screw
LOCKWASHER Black Oxide Slips & 1/8 IP				

Crossbars





<b>101GB-00</b>	<b>101GB-01</b>	<b>101GB-01-HD</b>	<b>101GB-02</b>
			
4" Long Flat Crossbar, offset slotted holes, w/tapped 1/8 IPS Center Hole	4" Long Flat Crossbar 1/4-20IP, ground screw extra	Long Flat Crossbar 1/4-20 IP, Galvanized Steel, 0.075" thick, Ground screw installed	Long Flat Crossbar 8-32UNC, OL 4"
<b>102GB-00</b>	<b>104GB-00</b>	<b>105FF-00</b>	<b>112GB-00</b>
			
3.875" Long Flat Crossbar, offset slotted holes, w/tapped 1/4 IPS Center Hole	4.25" Long Flat Crossbar, Heavy Duty, w/ tapped 1/8 IPS Center Hole	4.25" Long Flat Crossbar, offset slotted holes, w/ 0.25" Center Hole	4" Crossbar with center offset w/ 0.25" Center Hole

**CROSSBARS / CHAINS**

**Crossbars**

<p><b>639-00</b></p>	<p><b>2118-00</b></p>	<p><b>2124-00</b></p>	<p><b>2125-00</b></p>
			
<p>Adjustable Crossbar from 4 1/2" to 6 1/2" C to C Slips Over 3/8" IPS Pipe</p>	<p>4" Universal Circle Crossbar Ground Screw Inserted</p>	<p>4" Universal Crossbar 7/8" Center Hole</p>	<p>4-3/16" Swivel Crossbar, Revolves 360 Degrees. Screw holes 2-3/16", 2-3/4", 2-15/16" C to C Tapped #8/32, Ground Screw Inserted. Slips Over 3/8" IPS Pipe</p>

**Chains**

	<p><b>802-18</b></p> <p>Chain - brass plated.</p> <p>Link Length: 1 1/2" 4 GA - 100 l 3 feet (1 yard) lengths 5.5mm (7/32") thickness Side-cut</p>		<p><b>640-00</b></p> <p>Chain- brass</p> <p><b>640-18</b></p> <p>Chain - brass plated.</p> <p><b>640-21</b></p> <p>Chain - antique brass</p> <p>Link Length: 2 1/4" 2 GA 3 feet (1 yard) lengths 6mm (1/4") thickness Side-cut</p>
	<p><b>1079-07</b></p> <p>Chain - black</p> <p><b>1079-13</b></p> <p>Chain - white</p> <p><b>1079-18</b></p> <p>Chain - brass</p> <p><b>1079-21</b></p> <p>Chain - antique brass</p> <p><b>1079-26</b></p> <p>Chain - nickel</p> <p>Link Length: 1 1/2" 12 feet (4 yards) length 10 GA - 60 lbs test 3mm (1/8") thickness Side-cut</p>		<p><b>1084-21</b></p> <p>Chain spanish antique brass</p> <p>Link Length: 2" 3 feet (1 yards) length 10 GA 3.2mm (1/8") thickness Side-cut</p>

FOR MORE INFORMATION PLEASE CALL 1-800-661-9610 (HEAD OFFICE) 1-888-762-5384 (USA)

PLEASE CONSULT THE FACTORY FOR MORE PRODUCTS AND CUSTOMIZATION.  
PRODUCT DETAILS AND SPECIFICATIONS ARE SUBJECT TO CHANGE WITHOUT NOTICE.




BEADED CHAINS / CHAIN PLIERS / HOOK SETS

LAMP PARTS



Beaded Chains

1031-18	4043-18
	
#6 Bead chain brass plated - 250 ft/l	Bead connector
4045-18	
	
Bead end bell	

Chain Pliers

1086-00

Chain pliers, plastic covered handles.

Hook Sets

	3390-07		3490-07
	BLACK		BLACK
	3390-13		3490-13
	WHITE		WHITE
	3390-18		3490-18
BRASS	BRASS		
3390-21	3490-21	ANTIQUE BRASS	
ANTIQUE BRASS			




\*\* SET INCLUDES 2 HOOKS AND 2 WOOD SCREWS\*\*

\*\* SET INCLUDES 2 HOOKS, 2 TOGGLES, 2 BOLTS AND 2 WOOD SCREWS\*\*







**CANDLE COVERS / CANOPIES**

**Candle Covers**

<b>DRIP</b>	<b>CANDLE DRIP-6</b>	 <table border="1"> <tr> <td><b>380-13</b></td> <td>4"</td> <td>Candelabra - 13/16" ID - 7/8" OD 0.020" wall</td> </tr> <tr> <td><b>390-13</b></td> <td>4"</td> <td>Edison - 1 3/16" ID - 1 1/4" OD 0.020" wall</td> </tr> <tr> <td><b>XCTUBE-13</b></td> <td>36"</td> <td>Candle</td> </tr> <tr> <td><b>XETUBE-13</b></td> <td>36"</td> <td>Edison</td> </tr> <tr> <td><b>XCTUBE-13-72</b></td> <td>72"</td> <td>Candle</td> </tr> <tr> <td><b>XETUBE-13-72</b></td> <td>72"</td> <td>Candle</td> </tr> </table>		<b>380-13</b>	4"	Candelabra - 13/16" ID - 7/8" OD 0.020" wall	<b>390-13</b>	4"	Edison - 1 3/16" ID - 1 1/4" OD 0.020" wall	<b>XCTUBE-13</b>	36"	Candle	<b>XETUBE-13</b>	36"	Edison	<b>XCTUBE-13-72</b>	72"	Candle	<b>XETUBE-13-72</b>	72"	Candle
<b>380-13</b>	4"			Candelabra - 13/16" ID - 7/8" OD 0.020" wall																	
<b>390-13</b>	4"			Edison - 1 3/16" ID - 1 1/4" OD 0.020" wall																	
<b>XCTUBE-13</b>	36"			Candle																	
<b>XETUBE-13</b>	36"			Edison																	
<b>XCTUBE-13-72</b>	72"			Candle																	
<b>XETUBE-13-72</b>	72"	Candle																			
																					
4" Candle-white 1 3/8" diam.	6" Candelabra with drip 7/8" diam. O.D.																				

Made of WHITE self-extinguishing, PVC

**Holders**

<b>343-18</b>	<b>343-21</b>	<b>458-18</b>	<b>458-21</b>
			
2 1/4" Fancy BRASS Plated Holder	3 1/4" Fancy BRASS Plated Holder	2 1/4" Fancy ANT. BRASS Plated Holder	3 1/4" Fancy ANT. BRASS Plated Holder

**Canopies**

<b>3351-13</b>	<b>3351-18</b>	<b>3353-13</b>	<b>3361-13</b>
			
5" Plain, 1 hole-WHITE 1/8" IPS Center hole	5" Plain, 1 hole-BRASS 1/8" IPS Center hole	5" Plain, 3 hole, 2 3/4" C to C- WHITE 1/8" IPS Center hole	6 1/2" WHITE, PLAIN-Oversized
<b>3744-18</b>	<b>3744-21</b>	<b>CAN5-1-W-1/8IP</b>	
			
5" Fancy BRASS PL. Embossed 1/8" IPS Center hole	5" Fancy ANT. BRASS Embossed 1/8" IPS Center hole	5 1/4" Diameter. FLAT WHITE 1/8 IP hole	

FOR MORE INFORMATION PLEASE CALL 1-800-661-9610 (HEAD OFFICE) 1-888-762-5384 (USA)

PLEASE CONSULT THE FACTORY FOR MORE PRODUCTS AND CUSTOMIZATION. PRODUCT DETAILS AND SPECIFICATIONS ARE SUBJECT TO CHANGE WITHOUT NOTICE.



CANOPY KITS



<b>K335-1-13</b>	1 hole white kit with hardware
<b>K335-1-18</b>	1 hole brass kit with hardware



<b>K335-3-13</b>	3 hole white kit with hardware
------------------	--------------------------------



<b>K3744-18</b>	Brass 3 hole fancy kit with hardware
<b>K3744-21</b>	Antique brass 3 hole fancy kit with hardware



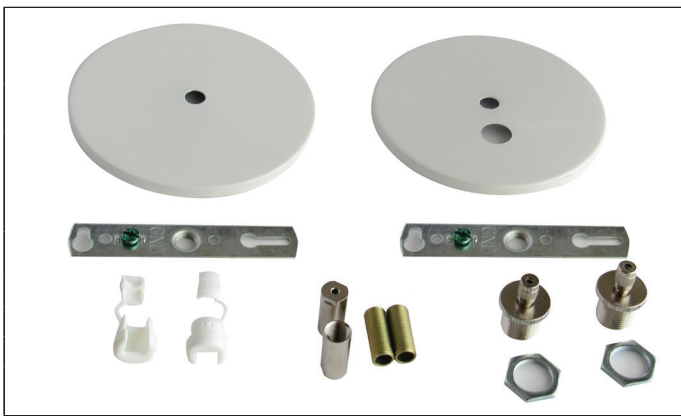
<b>K5000-21</b>	Cast fancy canopy kit with screw collar hardware
-----------------	--



<b>K8000-18</b>	Brass plated kit
-----------------	------------------



<b>K8000-21</b>	Antique Brass plated kit
-----------------	--------------------------



<b>K3085-13</b>	5" Canopy kit., 1/8 IPS, gripper for 3/32" cable
-----------------	--

KIT INCLUDES		
PRODUCT NUMBER	QTY.	DESCRIPTION
CAN-5-1-W-1/8"IP	1	WHITE METAL CEILING CANOPY 5-1/4" OD WITH ONE
CAN-5-1-W-1/8 IP	1	5" FLAT CANOPY, WHITE, CENTRE HOLE SLIPS, 1/8"IP
GR-3/8-IP	2	GRIPPER, NICKEL, 3/32"CBL.EXITS BOTTOM MOUNTS 11/16" DIA. HOLE
LN-3/8-IP	2	3/8"IP HEX LOCK NUT, NICKEL FINISH
CC-1/8-IP	2	CABLE COUPLER, FOR CABLES W/#1.#2 ENDS
ESR6N34-WH	2	WHITE STRAIN RELIEF
2316-00	2	PIPE, 1" LONG, RUNNING THREAD 1/8IP
101GB-00	2	CROSSBAR 1/8 IP, GALVANIZED STEEL, WITH GROUND SCREW INSTALLED

LAMP KITS

	
<b>K3801-13</b>	White
<b>K3801-18</b>	Brass
<b>K3801-21</b>	Antique Brass

	
<b>K7088W</b>	Complete lamp kit. Includes all parts to assemble lamp. CSA Approved.

SWAG KITS  
Includes: Socket, cord, chain, hooks and hardware. CSA Approved.

	
<b>K7600-00</b>	Cork adapter kit. CSA Approved

	
<b>K7600-M</b>	Mason Jar adapter kit. CSA Approved

	
<b>K7615-00</b>	Oil lamp adapter kit. CSA Approved

FOR MORE INFORMATION PLEASE CALL 1-800-661-9610 (HEAD OFFICE) 1-888-762-5384 (USA)

PLEASE CONSULT THE FACTORY FOR MORE PRODUCTS AND CUSTOMIZATION.  
PRODUCT DETAILS AND SPECIFICATIONS ARE SUBJECT TO CHANGE WITHOUT NOTICE.



APPENDIX AND SUFFIX GUIDE

LAMP PARTS

Thread Data Reference

M = MALE (EXTERNAL) THREAD      F = FEMALE (INTERNAL) THREAD

Thread Size	Approx. Fraction Dia.(In.)	Exact Dia.(In.)	Applications
4-36	3/32	0.106 0.111	- Socket Thread.
4-32	1/8	0.132 0.137	- Socket Thread. - Small mechanical lock-up thread, commonly used on lantern
8-32	5/32	0.158 0.153	- Small mechanical lock-up thread, commonly used on lantern assemblies and drawer pulls.
10-24 (Course Thread)	3/16	0.184 0.189	- 10-24 and 10-32 are mechanical lock-up threads used when 6/32 or 8-32 threads are not strong enough to retain assembly properly. -10-24 thread is commonly used on hooksets.
10-32 (Fine Thread)	3/16	0.184 0.189	

Thread Size	Approx. Fraction Dia.(In.)	Exact Dia.(In.)	Applications
1/4-20 (Course Thread)	1/4	0.240 0.245	- Heavy mechanical lock-up thread (no wireway). Commonly used on trophy products, drawer pulls and giftware.
1/4-28 (Fine Thread)	1/4	0.240 0.245	- A 1/4" fine thread used on lamp finials and shade raisers.
1/8 I.P. (1/8-27 N.P.S.M)	3/8	0.380 0.390	- The most common thread in the Lamp & Lighting industry. Used to create tubular connections allowing electrical wire to pass through.
1/4 I.P. (1/4-18 N.P.S.M)	1/2	0.510 0.515	- Thread used for very heavy duty applications of 1/8 I.P. thread where extra strength is required for stability or weight.
3/8 I.P. (1/8-18 N.P.S.M)	5/8	0.648 0.658	- Thread used for very heavy duty fixture mounts.

Colour Codes

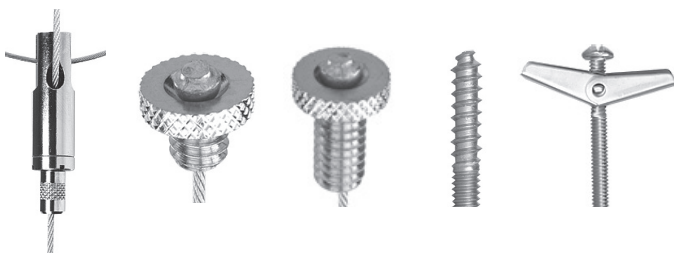
- 00	Solid Brass or Colour
- 01	Gold
- 05	Silver
- 07	Black
- 13	White

- 18	Brass Plated
- 21	Antique Brass
- 26	Nickel
- 47	Opal

# SECTION J

## LIGHTING SUSPENSION SYSTEM

Overview	J2 - J3
Micro & Mini Grippers for 3/64" and 1/16" cable	J4
Grippers for 1/16" and 3/32" cable	J5
Side exit grippers	J6
Power Feed Blank Tubes	J7
V-Assemblies / Cross Cables and Fixture Suspension Kits	J8
Cable Couplers	J9
Barrel Style Cable Couplers	J9
Canopies and Crossbars	J10
T-Bars	J11
Accessory Adapters, Bolts with through Holes, Screws, Hooks, etc.	J11
Cable Loops, Stop Sleeves and Ferrules	J11
Locknuts and Cable	J12
Cable Assemblies	J13
Double Looping Grippers & Kwik Lock Connectors	J14
Cable Suspension Kits	J15 - J18



# LIGHTING SUSPENSION SYSTEM

# CABLE SUSPENSION SYSTEMS

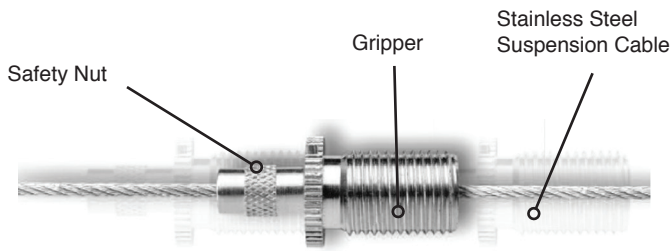
J2

## OVERVIEW

### How Cable Grippers Work

1. Loosen the safety nut a few turns by turning counter clockwise.
2. Simply push down the plunger and slide the gripper up or down the cable to the desired height.
3. Let go and it stops and automatically locks in place.
4. Turn the safety nut clockwise until tight. That easy!

These Grippers easily slide up and down the cable with a touch of your finger tip. Saving installation time and labor making adjustments easy and secure

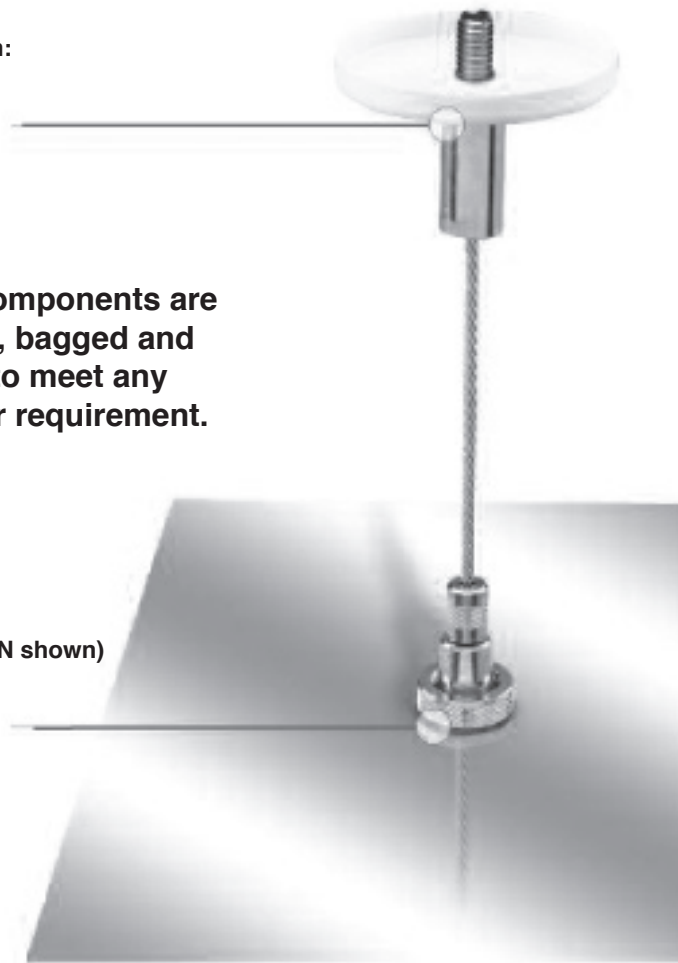


Attach any product you wish to hang. Grippers are available for many different connection methods to hang any suspended items.

With our many coupler styles (CC-1/4-20 shown) you can attach to anything you want to hang from:

- J Boxes
- T-Bars
- UniStrut
- Masonary
- Wood

Kits of components are available, bagged and labeled, to meet any customer requirement.



With our many Cable Gripper styles (GR 1/4 IP TN shown) you can hang anything:

- Drop Ceilings
- Light Fixture Pendants
- Signs
- Displays
- Shelves
- Picture Frames



## OVERVIEW

### When working with Etlin-Daniels cable suspension systems, here are some guidelines:

- Use only 7x7 or 7x19 uncoated stainless or galvanized steel aircraft cable.
- Always leave at least 1" of cable beyond the body of the gripper.
- Only use a purpose built cutting tool to cut off the excess cable.
- DO NOT feed excess cable into a fixture housing or junction box containing electrical wiring.
- Adhere strictly to the Weight Load Guidelines. Only use cables of the proper diameter along
- These cable suspension systems are not recommended for outdoor use. It should not be exposed to water, wind or continuous oscillation. Avoid placing fixtures close to HVAC vents or corrosive environments such as plants which use harsh chemicals or swimming pools.
- make sure to comply with all local codes and where applicable national codes. It is the responsibility of the buyer/ installer and / or specifying engineer to do so.
- DO NOT APPLY LUBRICANT to any part of the assembly.

WEIGHT LOADS: ALWAYS APPLY 1 TO 5 RATIO STATIC LOAD TO MINIMIZE BREAK STRENGTH						
CABLE DIAMETER		MINIMUM BREAK-STRENGTH WITH CABLE GRIPPER				
INCHES	MM	MICRO	MINI	KL-100	KL-150	KL-200
1/32"	1.0	145 lbs				
3/64"	1.2	165 lbs	165 lbs			
	1.5		275 lbs	275 lbs		
1/16"	1.6		275 lbs	275 lbs		
	1.8			330 lbs		
5/64"	2.0			440 lbs		440 lbs
3/32"	2.4			615 lbs	615 lbs	615 lbs
	2.5				660 lbs	660 lbs
	3.0				900 lbs	900 lbs
1/8"	3.2				1100 lbs	1100 lbs
3/16"	4.8					2550 lbs
	5.0					

Etlin Daniels cables are 7 x 7 galvanized or stainless steel 330,000 psi aircraft cable and are factory fitted with a variety of stop-sleeves, either swagged steel or molded zinc. The terminals are guaranteed to the full published break-weight of the cable. Please refer to the "WEIGHT LOADS" below.

THREAD DESIGNATION	THREAD DIAMETER	FIXTURE KO SIZE
1/8IPS = 1/8-27 NPSM	3/8"	7/16"
1/4IPS = 1/4-18 NPSM	1/2"	9/16"
3/8IPS = 3/8-18 NPSM	5/8"	11/16"
1/2IPS = 1/2-14 NPSM	13/16"	7/8"
10-32	0.19"	3/16"
1/4-20	0.24"	1/4"
3/8-16	0.38"	7/16"
M4	0.16"	5/32"
M6	0.24"	1/4"
M8	0.31"	5/16"
M10	0.39"	7/16"
M12	0.47"	1/2"
M13	0.51"	9/16"
M16	0.63"	11/16"

### Testing

Results were analyzed and the lowest amount for type of gripper and type of cable is listed and is shown in pounds. Cable Grippers recommends a safety factor of 80%. Therefore the weights listed for 1 or 2 cables are 20% of the minimum breaking results.

### Specifications

All dimensions, weights, sizes, strengths and other specifications shown in this catalog are for reference only and subject to change without notice. Actual conditions may vary, and we recommend that users test their products with all the components of their system. The manufacturer and user of the end product are responsible for their applications, and compliance with all local, state, and federal safety regulations.

### Specifications

Our cable assembly manufacturing facility has produced millions of cable assemblies. We are proud of our products and our philosophy. It is our goal to offer quality suspension components at competitive prices.

FOR MORE INFORMATION PLEASE CALL 1-800-661-9610 (HEAD OFFICE) 1-888-762-5384 (USA)

PLEASE CONSULT THE FACTORY FOR MORE PRODUCTS AND CUSTOMIZATION.  
PRODUCT DETAILS AND SPECIFICATIONS ARE SUBJECT TO CHANGE WITHOUT NOTICE.



## CABLE SUSPENSION SYSTEMS

J4

### MICRO GRIPPERS AND MINI GRIPPERS

Compact designed grippers allow swift installation and instant adjustment without damaging the wire. We have many different gripper models to choose from, depending on your area of usage and weight capacities

#### Micro Grippers for 3/64" Cable ( 1.19 mm )



MICRO-GR-SN



MICRO-GR

MODEL	SPECS	SAFETY NUT	FOR CABLE SIZES	CABLE EXITS	HEIGHT EXCLUDING PLUNGER	MAX OD BODY	OUTSIDE THREAD & DIAMETER	MOUNTING DEPTH	MOUNTING HOLE	MOUNTING NUT
MICRO-GR-SN	Micro-Gripper	Yes	3/64" (1.19 mm)	Bottom	0.4725"	0.35"	5/16"-24 (0.305") MALE	0.385"	0.3125"	LN-5/16 included
MICRO-GR	Micro-Gripper	No	3/64" (1.19 mm)	Bottom	0.4725"	0.35"	5/16"-24 (0.305") MALE	0.385"	0.3125"	LN-5/16 included

#### Mini Grippers for 3/64" Cable ( 1.19 mm ) and 1/16" ( 1.59 mm ) Cable



MGR-10/32



MGR-1/4-20



MGR-1/8-IP-S



MGR-1/8-IP-GS

MODEL	SPECS	SAFETY NUT	FOR CABLE SIZES	CABLE EXITS	HEIGHT EXCLUDING PLUNGER	MAX OD BODY	OUTSIDE THREAD & DIAMETER	MOUNTING DEPTH	MOUNTING HOLE	MOUNTING NUT
MGR-10/32	Mini-Gripper	No	3/64" (1.19mm) and 1/16" (1.59 mm)	Bottom	1.172"	0.402"	10/32" (0.185")	0.375" MALE	0.250"	included
MGR-1/4-20	Mini-Gripper	Yes	3/64" (1.19mm) and 1/16" (1.59 mm)	Bottom	1.254"	0.400"	1/4-20 (0.247)	0.450" MALE	0.250"	LN-1/4-20 not included
MGR-1/8-IP-S	Mini-Gripper	Yes	3/64" (1.19mm) and 1/16" (1.59 mm)	Bottom	0.669"	0.498"	1/8 IP (0.383")	0.383" MALE	0.4375"	LN 1/8 IP not included
MGR-1/8-IP-GS	Mini-Gripper	Yes	3/64" (1.19mm) and 1/16" (1.59 mm)	Bottom	0.666"	0.63"	1/8 IP (0.383")	0.383" MALE	0.4375"	included

# CABLE SUSPENSION SYSTEMS

## GRIPPER

Grippers for 5/64" ( 2 mm ) and 3/32" ( 2.38 mm ) Cable



GR-1/4-IP



GR-3/8-IP



GR-1/4-IP-TN

MODEL	SPECS	SAFETY NUT	FOR CABLE SIZES	CABLE EXITS	HEIGHT EXCLUDING PLUNGER	MAX OD BODY	OUTSIDE THREAD & DIAMETER	MOUNTING DEPTH	MOUNTING HOLE	MOUNTING NUT
GR-1/4-IP	Gripper	Yes	5/64" (1.59mm) and 3/32" (2.38 mm)	Bottom	0.795"	0.744"	1/4-IP (0.516")	0.673" MALE	0.562" (14.29 mm)	LN-1/4-IP not included
GR-3/8 IP	Gripper	Yes	5/64" (1.59mm) and 3/32" (2.38 mm)	Bottom	0.795"	0.885"	3/8-IP (0.655)	0.675" MALE	0.660" (17.46 mm)	LN-3/8-IP nut not included
GR-1/4-IP-TN	Gripper	Yes	5/64" (1.59mm) and 3/32" (2.38 mm)	Bottom	0.785"	0.744"	1/4-IP (0.516")	1" MALE	0.5625" (5.08 mm)	1/4-IP checkered nut included

Side Exit Grippers for 3/64" ( 1.19 mm ) and 1/16" ( 1.59 mm ) Cable



MGR-SE-M4



MGR-SE-1/4-20



MGR-SE-1/4-20-EXT



MGR-SE-1/8-IP



MGR-SE-ADJ-8/32



MGR-SE-HOOK

MODEL	SPECS	SAFETY NUT	FOR CABLE SIZES	CABLE EXITS	HEIGHT EXCLUDING PLUNGER	MAX OD BODY	OUTSIDE THREAD & DIAMETER	MOUNTING DEPTH	MOUNTING HOLE	MOUNTING NUT
MGR-SE-M4	Mini-Gripper	No	3/64" (1.19mm) and 1/16" (1.59mm)	Side	1.132"	0.352"	M4	Internal Thread	--	M4 screw not included
MGR-SE-1/4-20	Mini-Gripper	Yes	3/64" (1.19mm) and 1/16" (1.59mm)	Side	1.270"	0.389"	1/4-20	Internal Thread	--	1/4-IP checkered nut included
MGR-SE-1/4-20-EXT	Mini-Gripper	No	3/64" (1.19mm) and 1/16" (1.59mm)	Side	1.663"	0.389"	1/4-20	0.188" MALE	0.250"	LN-1/4-IP nut not included
MGR-SE-1/8-IP	Mini-Gripper	No	3/64" (1.19mm) and 1/16" (1.59mm)	Side	1.420"	0.389"	1/8-IP (0.383")	0.400" MALE	0.400"	LN-1/8-IP nut not included
MGR-SE-ADJ-8/32	Mini-Gripper	Yes	3/64" (1.19mm) and 1/16" (1.59mm)	Side	1.440"	0.389"	8/32	Internal Thread	Moveable 180° Swivel	8/32 screw not included
MGR-SE-HOOK	Mini-Gripper	Yes	3/64" (1.19mm) and 1/16" (1.59mm)	Side	2.00"	0.350"	--	--	--	--

FOR MORE INFORMATION PLEASE CALL 1-800-661-9610 (HEAD OFFICE) 1-888-762-5384 (USA)

PLEASE CONSULT THE FACTORY FOR MORE PRODUCTS AND CUSTOMIZATION. PRODUCT DETAILS AND SPECIFICATIONS ARE SUBJECT TO CHANGE WITHOUT NOTICE.



## CABLE SUSPENSION SYSTEMS

J6

### SIDE EXIT GRIPPERS

Side Exit Grippers for 5/64" ( 2 mm ) and 3/32" ( 2.38 mm ) Cable 2.5 mm



GR-SE-1/4 x 1/8-IPS



GR-SE-BF

MODEL	SPECS	SAFETY NUT	FOR CABLE SIZES	CABLE EXITS	HEIGHT EXCLUDING PLUNGER	MAX OD BODY	OUTSIDE THREAD & DIAMETER	MOUNTING DEPTH	MOUNTING HOLE	MOUNTING NUT
GR-SE-1/4 x 1/8-IPS	Gripper	Yes	5/64" (2mm) and 3/32" (2.38mm)	Side	1.375"	0.500"	1/8 IP INT or 1/4 IP EXT	1/8 IP Internal thread	O.562" (14.29 mm)	1/8 IP Screw or LN 1/4-IP nut not included
GR-SE-BF	Gripper	Yes	5/64" (2mm) and 3/32" (2.38mm)	Side	1.250"	0.375"	M4	Internal Thread	--	M4 screw included

Side Exit Grippers for 3/64" ( 1.19 mm ) and 1/16" ( 1.59 mm ) Cable, with Bottom Cross Cable Option



MGR-SE-1/4-20-BS



MGR-SE-TH

MODEL	SPECS	SAFETY NUT	FOR CABLE SIZES	CABLE EXITS	HEIGHT EXCLUDING PLUNGER	MAX OD BODY	CABLE PASS	INSIDE THREAD	MOUNTING NUT
MGR-SE-1/4-20-BS	Mini-Gripper	Yes	3/64" (1.19mm) and 1/16" (1.59mm)	Side	1.27"	0.389"	Slotted Pass Thru	1/4-20	1/4-20 Hex Set Screen included
MGR-SE-TH	Mini-Gripper	No	3/64" (1.19mm) and 1/16" (1.59mm)	Side	1.132"	0.352"	Holes for cable pass thru	M4	M4 Thumbscrew included

## CABLE SUSPENSION SYSTEMS

J7

### POWER FEED AND BANK TUBE

Side Exit Grippers for 3/64" ( 1.19 mm ) and 1/16" ( 1.59 mm ) Cable



PF -1/8-IP



PF-3/8-IP-SE



PF-1/2-IP

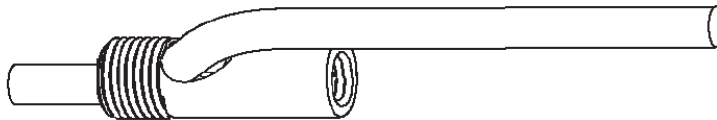


PF-3/4-IP-SB

MODEL	SPECS	TO USE WITH	POWER CORD ENTER / EXIT	BOTTOM O.D. IPS FIXTURE	TOP I.D. IPS GRIPPER	Overall Depth	CORD HOLE DIAMETER	MOUNTING DEPTH
PF -1/8-IP (for MGR 1/8-IP Gripper)	Tube only	MGR-1/8-IP-S CC-CAP, CC-1/4X	Side or Bottom	1/8" IP	1/4" IP	1.50"	0.250"	LN-1/8-IP not included
PF-3/8-IP-SE (for MGR 1/4-IP Gripper)	Tube only	GR-1/4-IP	Side or Bottom	3/8" IP	1/4" IP	1.86"	0.450"	LN-3/8-IP not included
PF-1/2-IP (for GR 3/8-IP Gripper)	Tube only	GR-3/8-IP	Side or Bottom	1/2" IP	3/8" IP	1.75"	0.450"	LN-1/2-IP not included
PF-3/4-IP-SB (GR-1/2-IP Gripper)	Tube only	GR-1/2-IP	Side or Bottom	3/4" IP	1/2" IP	2.00"	N/A	LN-3/4-IP not included

LIGHTING SUSPENSION SYSTEM

#### POWER FEED USE:



FOR MORE INFORMATION PLEASE CALL 1-800-661-9610 (HEAD OFFICE) 1-888-762-5384 (USA)

PLEASE CONSULT THE FACTORY FOR MORE PRODUCTS AND CUSTOMIZATION.  
PRODUCT DETAILS AND SPECIFICATIONS ARE SUBJECT TO CHANGE WITHOUT NOTICE.



## CABLE SUSPENSION SYSTEMS

J8

### “V” ASSEMBLES / CROSS CABLES AND FIXTURES SUSPENSION KITS

**Complete “V” Assemblies for Balancing the Fixture.** Includes Side Exit Grippers for 3/64” and 1/16” Cable and Ends for Retaining Fixture



**MGR-SE-TH-C3**



**MGR-SE-TH-C4  
-8-1/4**

MODEL	SPECS	SAFETY NUT	FOR CABLE SIZES	CABLE EXITS	HEIGHT EXCLUDING PLUNGER	MAX OD BODY	CROSS CABLE	CABLE END HARDWARE	CABLE ENDS	CROSS CABLE HELD BY
MGR-SE-TH-C3	Mini-Gripper	Yes	3/64" (1.19mm) and 1/16" (1.59 mm)	Sides	1.25"	0.375"	1/16-8"	2 x Half Ball Ends	#2 1/2 Ball End	Thumbscrew
MGR-SE-TH-C4-8-1/4	Mini-Gripper	No	3/64" (1.19mm) and 1/16" (1.59 mm)	Sides	1.25"	0.375"	1/16-8"	1/4-20 0.5" long captive screws	#2 1/2 Ball End	Thumbscrew

LIGHTING SUSPENSION SYSTEM

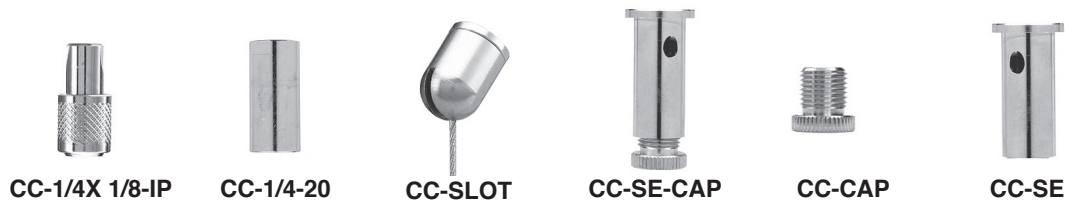


## CABLE SUSPENSION SYSTEMS

J9

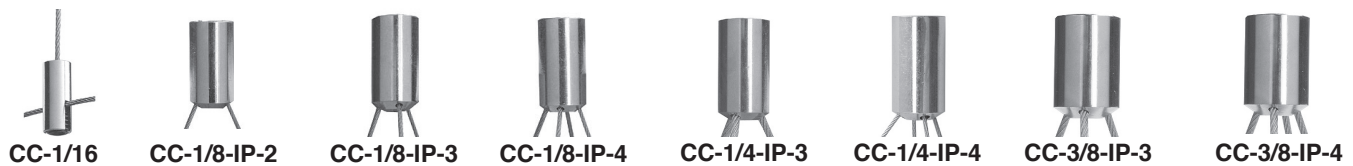
### CABLE COUPLERS / BARREL STYLE CABLE COUPLERS

**Cable Couplers** Accept 3/64", 1/16", 5/64" and 3/32" Cables with Die Cast Ends #1 and #2



MODEL	SPECS	CONSTRUCTION	NO. OF CABLES	CABLE EXITS	FOR CABLES WITH	DESCRIPTION	MOUNTING
CC-1/4X 1/8-IP	Cable Coupler	2 piece 1"H x 0.491" W	1	Bottom	#1 or #2 ball ends	Has slip ring to hold canopy in place	1/4-20 inside thread
CC-1/4-20	Cable Coupler	1 piece 1"H x 0.491" W	1	Bottom	#1 or #2 ball ends	--	1/4-20 inside thread
CC-Slot	Cable Coupler	2 piece 0.817"H x 0.588" W	1	Bottom Angles Slot	#1 or #2 ball ends	Hangs straight on slope ceiling or walls	1/4-20 inside thread
CC-SE-CAP	Cable Coupler	2 piece 1.25"H x 0.5"W	1	Side	#1 or #2 ball ends	0.20" Hole on side	1/8-IP inside thread
CC-CAP	Cap Only	1 piece	1	Bottom	#1 or #2 ball ends	Cap only,	1/8-IP external thread
CC-SE	Cable Coupler	1 piece 1.1" H x 0.5" W	1	Side	#1 or #2 ball ends	Rear flanged part has hole for mounting screw	1/8-IP inside thread

**Barrel Style Couplers** for Multiple 3/64" Cables



MODEL	SPECS	CONSTRUCTION	FOR CABLE SIZES	CABLE EXITS	NO. OF CABLES	DIMENSIONS	FOR USE WITH	MOUNTING
CC-1/16	Cable Coupler	1 piece	3/64" (1.19 mm)	Bottom	1	0.669"H x 0.273"W	Cross Cable	slot/set screw included
CC-1/8-IP-2	Cable Coupler	1 piece	3/64" (1.19 mm)	Bottom	2	1.19"H x 0.784"W	#2 ball end cable	1/8" IP Female
CC-1/8-IP-3	Cable Coupler	1 piece	3/64" (1.19 mm)	Bottom	3	1.19"H x 0.784"W	#2 ball end cable	1/8" IP Female
CC-1/8-IP-4	Cable Coupler	1 piece	3/64" (1.19 mm)	Bottom	4	1.19"H x 0.784"W	#2 ball end cable	1/8" IP Female
CC-1/4-IP-3	Cable Coupler	1 piece	3/64" (1.19 mm)	Bottom	3	1.17"H x 0.61"W	#2 ball end cable	1/4" IP Female
CC-1/4-IP-4	Cable Coupler	1 piece	3/64" (1.19 mm)	Bottom	4	1.17"H x 0.61"W	#2 ball end cable	1/4" IP Female
CC-3/8-IP-3	Cable Coupler	1 piece	3/64" (1.19 mm)	Bottom	3	1.19"H x 0.78"W	#2 ball end cable	3/8" IP Female
CC-3/8-IP-4	Cable Coupler	1 piece	3/64" (1.19 mm)	Bottom	4	1.19"H x 0.78"W	#2 ball end cable	3/8" IP Female

FOR MORE INFORMATION PLEASE CALL 1-800-661-9610 (HEAD OFFICE) 1-888-762-5384 (USA)

PLEASE CONSULT THE FACTORY FOR MORE PRODUCTS AND CUSTOMIZATION.  
PRODUCT DETAILS AND SPECIFICATIONS ARE SUBJECT TO CHANGE WITHOUT NOTICE.



## CABLE SUSPENSION SYSTEMS

J10

### CANOPIES / CROSSBARS

White Canopies for Mounting to J Boxes, Ceilings, and Walls



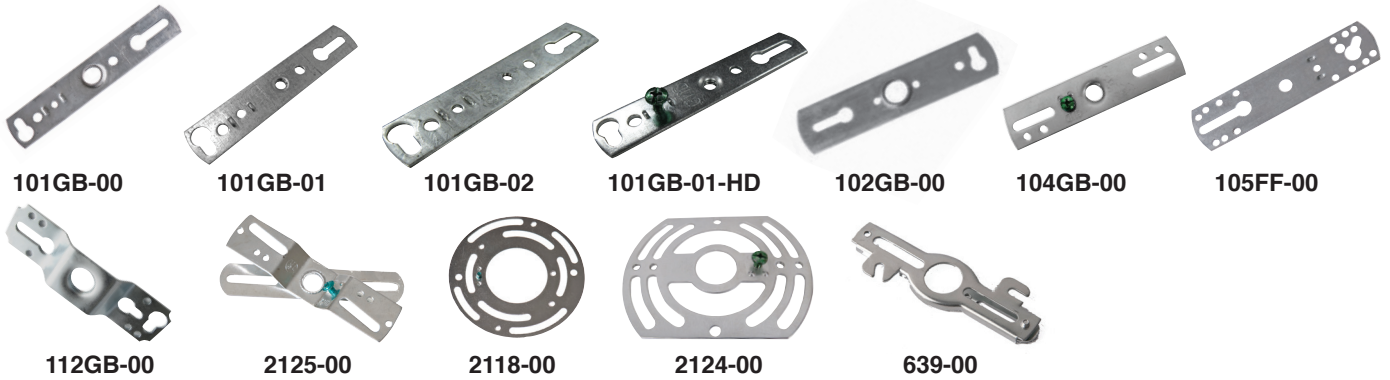
CAN-5-1-W



CAN-5-2-W

MODEL	SPECS	CONSTRUCTION	DIAMETER	CENTER HOLE	POWER FEED HOLE	THICKNESS
CAN-5-1-W	White Canopy	Powder Coat Steel	5"	.400" for 1/8" IP	None	0.29"
CAN-5-2-W	White Canopy	Powder Coat Steel	5"	.400" for 1/8" IP	0.625"	0.29"

### Crossbars



MODEL	SPECS	CONSTRUCTION	USED ON	WITH	MOUNTS
101GB-00	4" Crossbar	Galvanized Steel	Electrical Outlet Box	1/8" IPS Center Hole	2 Offset Sloted Hole
101GB-01	4" Crossbar	Galvanized Steel	Electrical Outlet Box	1/4" 20IP	2 Offset Sloted Hole
101GB-02	4" Crossbar	Galvanized Steel	Electrical Outlet Box	8/32" Threaded Hole	2 Offset Sloted Hole
101GB-01-HD	4" Crossbar	Galvanized Steel	Electrical Outlet Box	1/4" 20IP - .075 Thick	2 Offset Sloted Hole
102GB-00	4" Crossbar	Galvanized Steel	Electrical Outlet Box	1/4" IPS Center Hole	2 Offset Slots
104GB-00	4.25" Crossbar	Galvanized Steel	Electrical Outlet Box	1/8" IPS Center Hole	2 Straight Slots
105FF-00	4 1/2" Crossbar	Galvanized Steel	Electrical Outlet Box	0.250" Center Hole	2 Offset Slots
2125-00	4 3/16" Swivel Crossbar	Galvanized Steel	Electrical Outlet Box	3/8 IPS Center Hole	Multiple Slots with Screw Holes
639-00	Adjustable Crossbar 4 1/2" to 6 1/2" C.C.	Galvanized Steel	Electrical Outlet Box	3/8 IPS Center Hole	2 Slots - 2 Screws Locations
2118-00	4" Universal Crossbar	Galvanized Steel	Electrical Outlet Box	1.85" Center Hole	Multiple Slots with Screw Holes
2124-00	4" Universal Crossbar	Galvanized Steel	Electrical Outlet Box	7/8" Center Hole	Multiple Slots with Ground Screw
639-00	Adjustable Crossbar 4 1/2" to 6 1/2" C.C.	Galvanized Steel	Electrical Outlet Box	3/8" IP Center Hole	2 Slots - 2 Screws Locations
112GB-00	4" Crossbar with center offset	Galvanized Steel	Electrical Outlet Box	1/4" 20IP	3 Offset

# CABLE SUSPENSION SYSTEMS

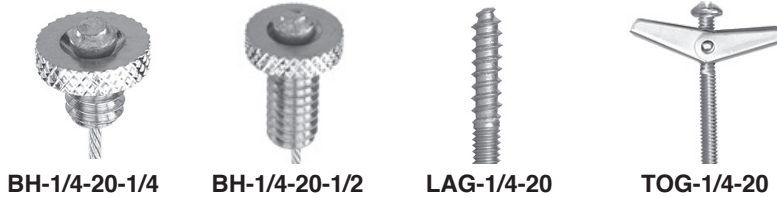
## CABLE GRIPPERS ACCESSORIES AND HARDWARE

### T Bar Clips






MODEL	SPECS	CONSTRUCTION	USED ON	WITH	MOUNTS
TBC-E A	T Bar Clip	Steel	Acoustical T-Bar	1/4"-20 Stud 3/8" L	Twist into the T-Bar
TBC-WP B	T Bar Clip	Steel	Acoustical T-Bar	1/4"-20 Stud 3/8" L	Wraps over the T-Bar


### Accessory Adapters, Bolts with Through Holes, Screws, Hooks, etc.



MODEL	SPECS
BH-1/4-20-1/4	Knurled head bolt, drilled for 1/16" cable, 1/4"-long, 1/4-20 thread
BH-1/4-20-1/2	Knurled head bolt, drilled for 1/16" cable, 1/2"-long, 1/4-20 thread
LAG-1/4-20	Hanger Bolt 2" overall length 1/4-20 X wood screw
TOG-1/4-20	Toggle Wing, 1/4-20 X 3" for drywall applications

### Cable Loops, Stop Sleeves and Ferrules

CABLE LOOPS		SHAFT COLLAR		COPPER STOP SLEEVES	
					
CL-1/16	Cable Loop sleeve with set screws for 3/64" and 1/16"	SC-1	Shaft collar lock with set screw"	CSS-3/64	Copper stop sleeves for 3/64" cable
CL-3/32	Cable Loop sleeve for 3/32" cable			CSS-1/16	Copper stop sleeves for 1/16" cable
				CSS-3/32	Copper stop sleeves for 3/32" cable

COPPER FERRULES	
	
CDF-3/64-AL	Aluminum duplex ferrules for 3/64" cable
CDF-1/16-AL	Aluminum duplex ferrules for 1/16" cable
CDF-3/32-AL	Aluminum duplex ferrules for 3/32" cable

FOR MORE INFORMATION PLEASE CALL 1-800-661-9610 (HEAD OFFICE) 1-888-762-5384 (USA)

PLEASE CONSULT THE FACTORY FOR MORE PRODUCTS AND CUSTOMIZATION.  
PRODUCT DETAILS AND SPECIFICATIONS ARE SUBJECT TO CHANGE WITHOUT NOTICE.



## CABLE SUSPENSION SYSTEMS

J12

### CABLE / CABLE GRIPPERS ACCESSORIES AND HARDWARE

#### Locknuts



LN-1/4-20



LN-5/16-IP



LN-1/8-IP



KN-1/8-IP



LN-1/4-IP



LN-3/8-IP



LN-1/2-IP

MODEL	SPECS
LN-1/4-20	1/4-20 Keps nut
LN-5/16-IP	5/16 Panel hex nut for MICRO-GR
LN-1/8-IP	1/8 IP Panel hex nut
KN-1/8-IP	Knurled lock nut-1/8-IP
LN-1/4-IP	1/4 IP Hex nut
LN-3/8-IP	3/8 IP Hex nut
LN-1/2-IP	1/2 IP Panel Hex nut

#### Bulk Cable on Spools

Stainless steel and zinc plated wires are available in various dimensions and lengths. Ensure that you use suitable screws and dowels for the materials when installing.

MODEL	SPECS
C-3/64-12000-G	galvanized 3/64", 7X7 X 1000'
C-1/16-12000-G	galvanized 1/16", 7X7 X 1000'
C-3/32-12000-G	galvanized 3/32", 7X7 X 1000'
C-1/8-12000-G	galvanized 1/8", 7X7 X 1000'
C-3/64-12000-SS	stainless steel 3/64", 7X7 X 1000'
C-1/16-12000-SS	stainless steel 1/16", 7X7 X 1000'
C-3/32-12000-SS	stainless steel 3/32", 7X7 X 1000'
C-1/8-12000-SS	stainless steel 1/8", 7X7 X 1000'



# CABLE SUSPENSION SYSTEMS

## CABLE ASSEMBLIES

Deluxe S/S Cable Assemblies with #1 Die Cast End and Fuse Out



#1



#2

Galvanized cable can be supplied on request.  
Remove suffix -SS and add suffix -G (i.e C-3/64-72-G).

Wire Cross Section:



MODEL	CROSS SECTION	MATERIAL	LENGTH
<b>CABLE, 3/64" WITH FUSE CUT AND #1 DIE CAST END</b>			
C-3/64-24-SS	7 X 7	Stainless Steel	3/64 X 24" with stop
C-3/64-36-SS	7 X 7	Stainless Steel	3/64 X 36" with stop
C-3/64-50-SS	7 X 7	Stainless Steel	3/64 X 50" with stop
C-3/64-72-SS	7 X 7	Stainless Steel	3/64 X 72" with stop
C-3/64-100-SS	7 X 7	Stainless Steel	3/64 X 100" with stop
<b>CABLE, 1/16" WITH FUSE CUT AND #1 DIE CAST END</b>			
C-1/16-12-SS	7 X 7	Stainless Steel	1/16" X 12" with stop
C-1/16-24-SS	7 X 7	Stainless Steel	1/16" X 24" with stop
C-1/16-36-SS	7 X 7	Stainless Steel	1/16" X 36" with stop
C-1/16-50-SS	7 X 7	Stainless Steel	1/16" X 50" with stop
C-1/16-72-SS	7 X 7	Stainless Steel	1/16" X 72" with stop
C-1/16-100-SS	7 X 7	Stainless Steel	1/16" X 100" with stop
C-1/16-120-SS	7 X 7	Stainless Steel	1/16" X 120" with stop
C-1/16-150-SS	7 X 7	Stainless Steel	1/16" X 150" with stop
<b>CABLE, 3/32" WITH FUSE CUT AND #1 DIE CAST END</b>			
C-3/32-24-SS	7 X 7	Stainless Steel	3/32" X 24" with stop
C-3/32-36-SS	7 X 7	Stainless Steel	3/32" X 36" with stop
C-3/32-50-SS	7 X 7	Stainless Steel	3/32" X 50" with stop
C-3/32-72-SS	7 X 7	Stainless Steel	3/32" X 72" with stop
C-3/32-100-SS	7 X 7	Stainless Steel	3/32" X 100" with stop
C-3/32-120-SS	7 X 7	Stainless Steel	3/32" X 120" with stop

FOR MORE INFORMATION PLEASE CALL 1-800-661-9610 (HEAD OFFICE) 1-888-762-5384 (USA)

PLEASE CONSULT THE FACTORY FOR MORE PRODUCTS AND CUSTOMIZATION.  
PRODUCT DETAILS AND SPECIFICATIONS ARE SUBJECT TO CHANGE WITHOUT NOTICE.



DOUBLE LOOPING GRIPPERS / KWIK LOCK CONNECTORS

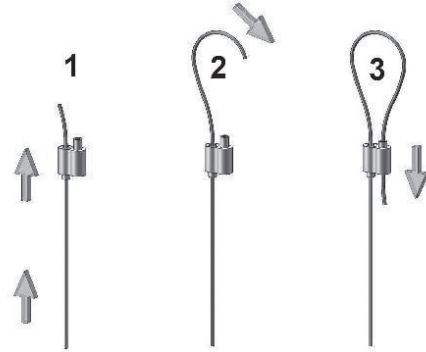
**Double Loop Grippers** for 3/64" and 1/16" Cables. Allows Cable to Loop and Adjusts from Either End. For Wrapping Cable Around Beams and Joints.

These double loop grippers can be used for hanging luminaires, HID lights, cable tray, cable baskets, signage and displays.

**INSTALLATION**

- STEP 1:** Insert cable into Looping Gripper.
- STEP 2:** Pass cable through or around anchor point.
- STEP 3:** Insert cable back into Looping Gripper.
- ADJUSTMENT:** Remove load from cable, depress plunger & adjust cable height. Release plunger to lock cable position

**NOTE:** Looping Gripper must maintain a minimum 2 inch distance from all suspended objects or support structures.



DLG-1/16



DLG-01



KL-100



KL-150



KL-200

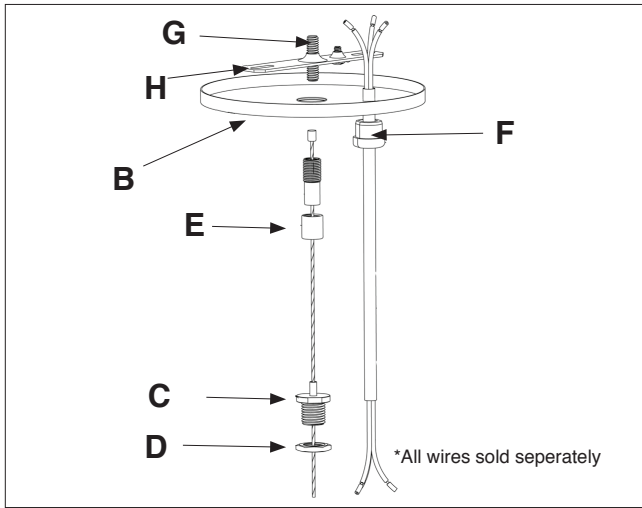
MODEL	SPECS	SAFETY NUT	FOR CABLE SIZES	CABLE EXITS	MADE OF	MODEL
DLG-1/16	Double Loop Gripper	No	3/64" or 1/16" (1/ 1.6mm)	Top / Bottom	Zinc	3/64" = 35 lbs 1/16" = 75 lbs
DLG-01	Double Loop Gripper	No	1/16" or 3/32" (1.6 or 2.4mm)	Top / Bottom	Zinc	1/16" = 75 lbs 3/32" = 150 lbs
KL-100	Double Loop Gripper	No	1/16" or 3/32" (1.6 or 2.4mm)	Top / Bottom	Die Cast AL	1/16" = 75 lbs 3/32" = 150 lbs
KL-150	Double Loop Gripper	No	3/32" or 1/8" (2.4 or 3.2mm)	Top / Bottom	Die Cast AL	3/32" = 150 lbs 1/8" = 250 lbs
KL-200	Double Loop Gripper	No	1/8" or 3/16" (1.6 or 2.4mm)	Top / Bottom	Die Cast AL	1/8" = 250 lbs 3/16" = 640 lbs

LIGHTING SUSPENSION SYSTEM



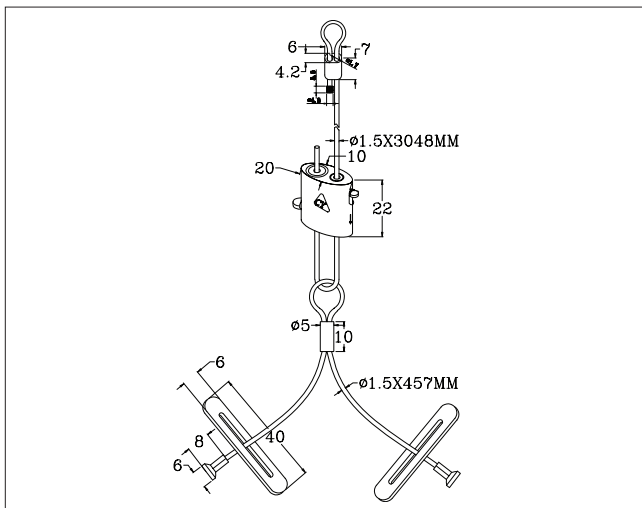
GENERIC SUSPENSION KITS

Feed Kit for 18/3 Cord

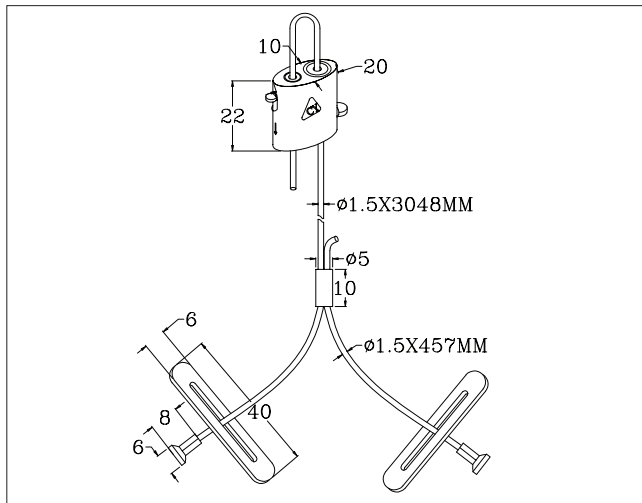


K3085-13		
FIGURE	PART	DESCRIPTION
A	CAN 5-1-W-1/8IP	White metal ceiling canopy 5-1/4" OD with One
B	CAN 5-1-W-1/8IP	5" flat canopy, white, centre hole slips, 1/8" IP
C	GR-3/8-IP	Gripper, NI, 3/32" CBL exits BTM MNTS 11/16"D Hole
D	LN-3/8-IP	3/8"IP hex lock nut, nickel finish
E	CC-1/8-IP	Cable coupler, for cables W/#1, #2 ends
F	ESR6N34-WH	White strain relief
G	2316-00	Pipe, 1" long, running thread 1/8 IP
H	101GB-00	Crossbar 1/8 IP, galvanized steel, w/ ground screw installed

"Y" Cable Industrial Kits



120-18Y-PAD-L&P HI BAY KIT, 120", 18"Y, PADDLES, 2 DLG-01, 2 AC-1/16-120-18Y-PAD-G	
•	120" long stainless steel cable with swedged 2x18" "Y" with toggle plates to attach to the fixture and a swedged end to loop to the ceiling
•	Single loop gripper
•	Each kit contains two of each item to mount one fixture at each end



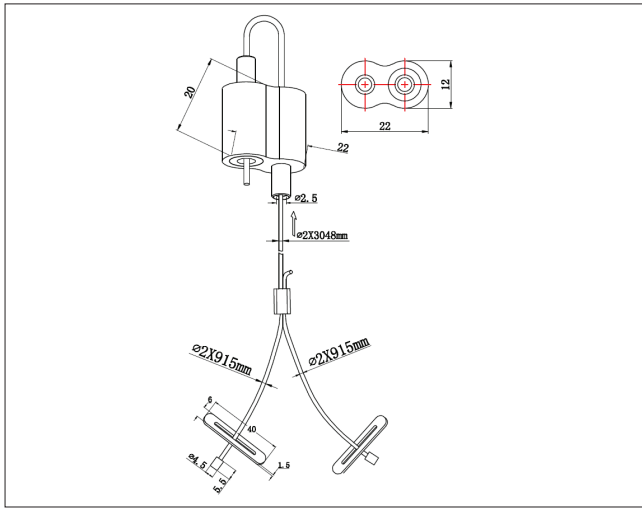
HB-120-18Y-PAD HI BAY KIT, 120", 18"Y, PADDLES, 2 DLG-01, 2 AC-1/16-120-18Y-PAD-G	
•	120" long stainless steel cable with swedged 2x18" "Y" with toggle plates to attach to the fixture and a swedged end to loop to the ceiling
•	Single loop gripper to attach the adjustment loop over a structure
•	Each kit contains two of each item to mount one fixture at each end

FOR MORE INFORMATION PLEASE CALL 1-800-661-9610 (HEAD OFFICE) 1-888-762-5384 (USA)

PLEASE CONSULT THE FACTORY FOR MORE PRODUCTS AND CUSTOMIZATION.  
PRODUCT DETAILS AND SPECIFICATIONS ARE SUBJECT TO CHANGE WITHOUT NOTICE.



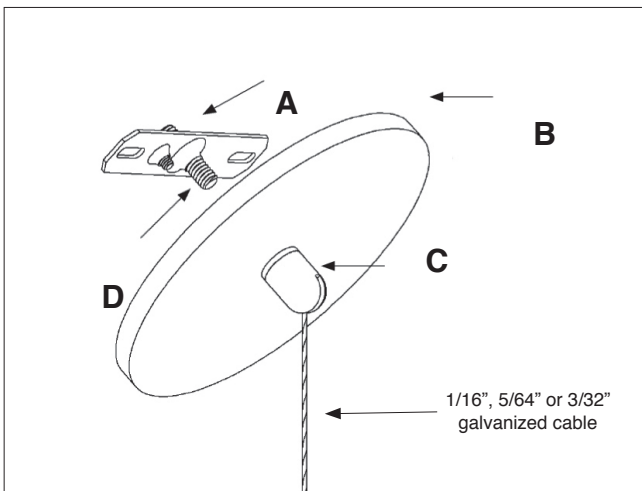
Y Cable Industrial Kits



<b>HB-130-20"Y, W/ STOP &amp; PADDLE, CABLE LOC</b> 130 HI BAY KIT, 20"Y, W? STOP & PADDLE, CABLE LOC 3/32" SS CABLE, 2PCS SET
<ul style="list-style-type: none"> <li>• 120" long stainless steel cable with swedged 2x18" "Y" with toggle plates to attach to the fixture</li> <li>• Single loop gripper to attach the adjustment loop over a structure</li> <li>• Each kit contains two of each item to mount one fixture at each end</li> </ul>

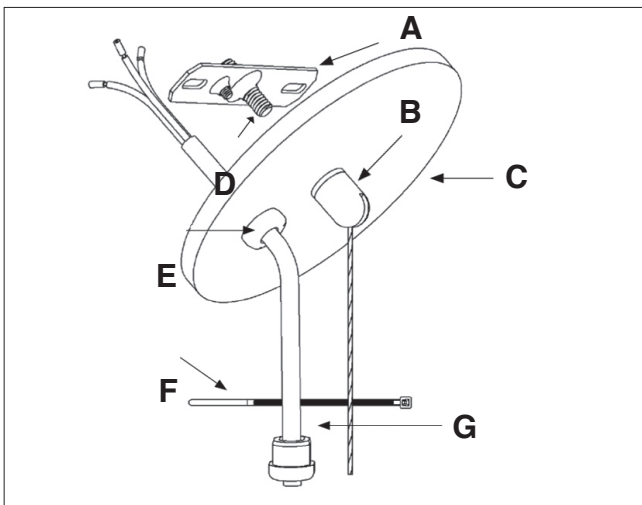
LIGHTING SUSPENSION SYSTEM

Non Feed With Canopy Kit



<b>SK-NPF-104-116-XXX</b> Straight Cord Kits - Packaged, 1/16" galvanized cable		
<b>SK-NPF-104-332-XXX</b> Non-Powerfeed Kits - Packaged, 3/32" galvanized cable		
XXX - Kit length in inches. Stock lengths 24", 48", 96", 120", 150", 180" & 240"		
FIGURE	PART	DESCRIPTION
A	101-GB-01-HD	4" cross bar with ground screw
B	CAN 5-1-W	5" white powder coated canopy w/ 0.25" ctr. hole
C	CC-SLOT	Swivel Cable Coupler w/ 1/4-20 internal thread
D	1/4-20-1"	1/4-20-1" stud

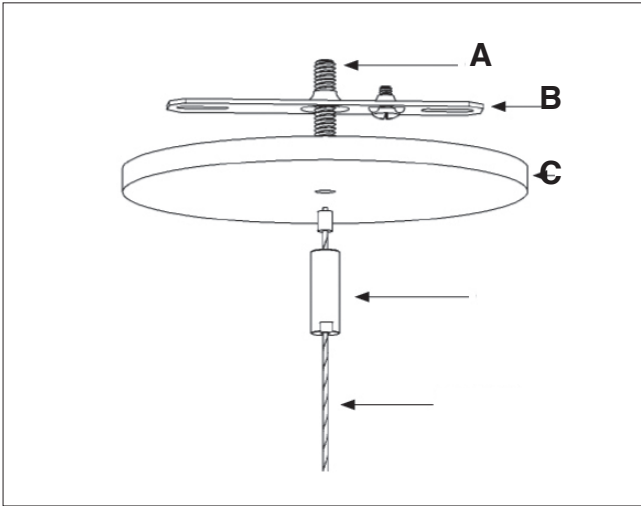
Feed Kit With Canopy for 18/3 Cord



<b>SK-PF-105-116-XXX</b> Non-Powerfeed Kits - Packaged, 1/16" galvanized cable		
<b>SK-PF-105-332-XXX</b> Straight Cord Kits - Packaged, 3/32" inch galvanized cable		
<b>Stock White powercord: 18/3, 18/4, SVT</b> XXX - Kit length in inches. Stock lengths 24", 48", 96", 120", 150", 180" & 240"		
FIGURE	PART	DESCRIPTION
A	101-GB-01-HD	4" cross bar with ground screw
B	CC-SLOT	Swivel Cable Coupler
C	CAN 5-2-W	5" 2 hole canopy cover
D	1/4-20-1"	1/4-20-1" stud
E	ESR-XX-WH	2 x white strain relief bushings per set to match cord & PF hole
F	NT400	4" cable tie
G	TBD	Powercord to match assembly length

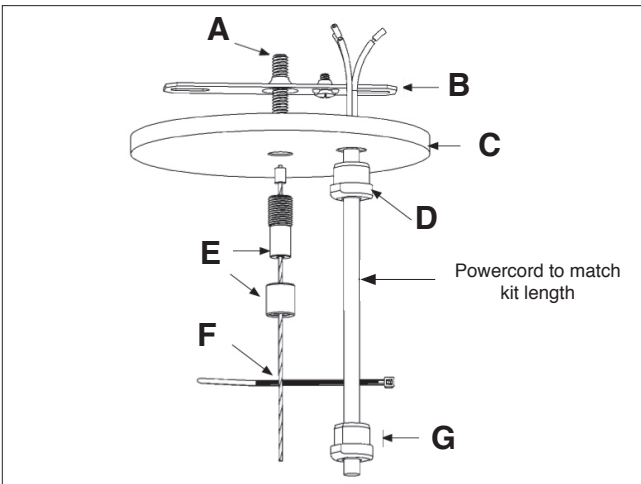
**GENERIC SUSPENSION KITS**

**Non-Powerfeed and Straight Cord Kits / Coil Cord Kit**



<b>SK-NPF-100-116-XXX</b> Non-Powerfeed Kits - Packaged, 1/16" galvanized cable		
<b>SK-NPF-100-332-XXX</b> Non-Powerfeed Kits - Packaged, 3/32" galvanized cable		
XXX - Kit length in inches. Stock lengths 24", 48", 96", 120, 150", 180" & 240" (Cables are available in galvanized / stainless steel. Grippers ordered separately)		
FIGURE	PART	DESCRIPTION
A	1/4-20-1"	1/4-20-1" stud
B	101-GB-01-HD	4" cross bar with ground screw
C	CAN 5-1-W	5" white powder coated canopy w/ 0.25" ctr. hole
D	CC-1/4-20	Cable Coupler 1/4-20 int. thread

**Powerfeed and Straight Cord Kits / Coil Cord Kit**



<b>SK-PF-102-116-XXX-PCXXX</b> Straight Cord Kits - Packaged, 1/16" galvanized cable		
<b>SK-PF-102-332-XXX-PCXXX</b> Straight Cord Kits - Packaged, 3/32" inch galvanized cable		
<b>Stock White powercord: 14/3(PF143), 14/4(PF144), 18/3, 18/4.</b> XXX - Kit length in inches. Stock lengths 24", 48", 96", 120, 150", 180" & 240"		
FIGURE	PART	DESCRIPTION
A	1/4-20-1"	1/4-20-1" stud
B	101GB	4" cross bar with ground screw
C	CAN 5-2-W	5" 2 hole canopy cover
D	ESR-XX-WH	2 x white strain relief bushings per set to match cord & PF hole
E	CC 1/4-20	Slipping Cable Gripper
F	NT400	1 x white cable tie per ft.
G	TBD	2 x white strain relief bushings per set to match cord & PF hole
F	TBD	Powercord to match assembly length

FOR MORE INFORMATION PLEASE CALL 1-800-661-9610 (HEAD OFFICE) 1-888-762-5384 (USA)

PLEASE CONSULT THE FACTORY FOR MORE PRODUCTS AND CUSTOMIZATION.  
PRODUCT DETAILS AND SPECIFICATIONS ARE SUBJECT TO CHANGE WITHOUT NOTICE.



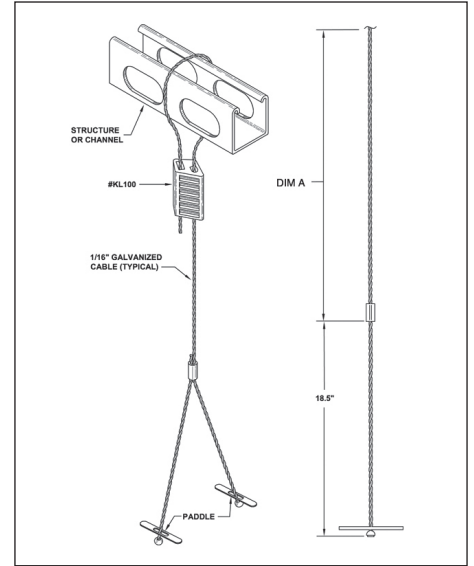
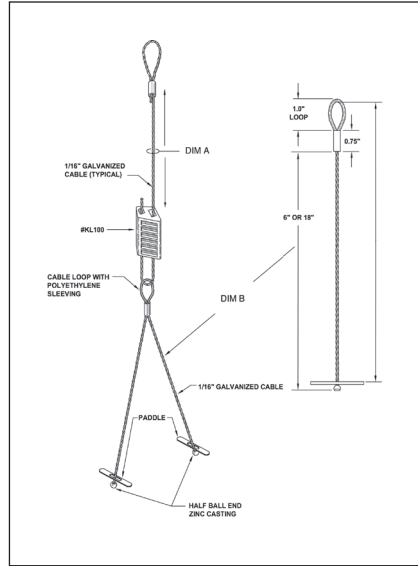
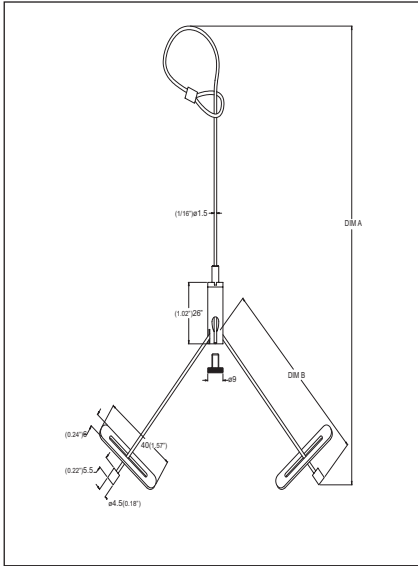
# CABLE SUSPENSION SYSTEMS

J18

## CABLE SUSPENSION KITS

### Cable Suspension Kits

LIGHTING SUSPENSION SYSTEM



HB-XXL-XXXT-MGR2 Series Cross Cable with Loop & Toggles		
PART NO.	DIM A	DIM B
HB-60L-12XT-MGR2	60"	6"
HB-120L-12XT-MGR2	120"	6"
HB-180L-12XT-MGR2	180"	6"
HB-240L-12XT-MGR2	240"	6"
HB-60L-24XT-MGR2	60"	12"
HB-120L-24XT-MGR2	120"	12"
HB-180L-24XT-MGR2	180"	12"
HB-240L-24XT-MGR2	240"	12"
HB-60L-36XT-MGR2	60"	18"
HB-120L-36XT-MGR2	120"	18"
HB-180L-36XT-MGR2	180"	18"
HB-240L-36XT-MGR2	240"	18"
HB-60L-48XT-MGR2	60"	24"
HB-120L-48XT-MGR2	120"	24"
HB-180L-48XT-MGR2	180"	24"
HB-240L-48XT-MGR2	240"	24"

HB-XXX-XXY-L&P-Series Double Loop Gripper Loop and Y Cables with Toggle Paddles		
PART NO.	DIM A	DIM B
HB-60-6Y-L&P	60"	6"
HB-120-6Y-L&P	120"	6"
HB-150-6Y-L&P	150"	6"
HB-200-6Y-L&P	200"	6"
HB-60-18Y-L&P	60"	18"
HB-120-18Y-L&P	120"	18"
HB-150-18Y-L&P	150"	18"
HB-200-18Y-L&P	200"	18"

HB-XXX-18Y-PAD-Series Double Loop Gripper Y Cables with Toggle Paddles	
PART NO.	DIM A
HB-60-18Y-PAD	60"
HB-120-18Y-PAD	120"
HB-180-18Y-PAD	180"
HB-240-18Y-PAD	240"

## SECTION K POWER CORDS

Standard Power Supply Cords	K2 - K7
Cord Set Ordering Guide	K8 - K11
Wire and Cable Data	K12 - K14
Technical Information on Wire and Cable	K15
Wiring Accessories	K16
NA Snap in Convenience Outlets	K17 - K18



# POWER CORDS

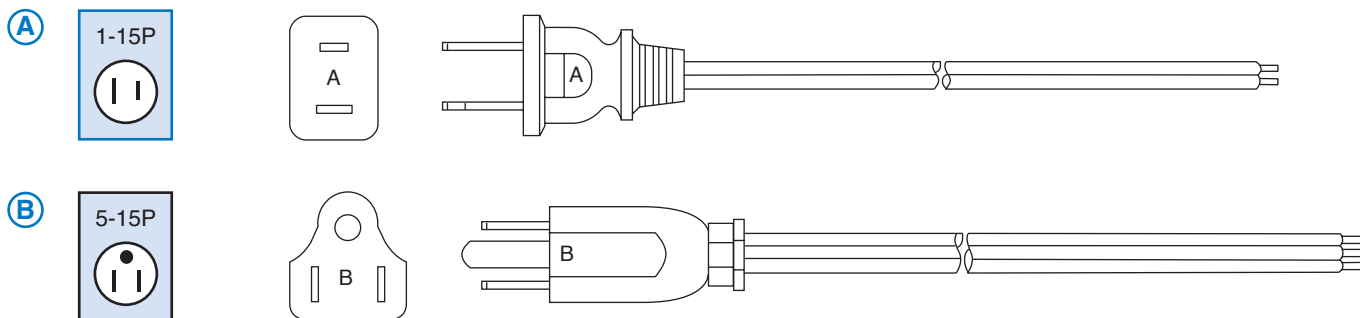
# NORTH AMERICAN STANDARD POWER SUPPLY CORDS

K2

## POWER SUPPLY CORD

### SPT Cords 2/3 Conductor PVC - Parallel Cord - Polarized

<b>CORD APPLICATIONS:</b> - Portable Lamps - Household Appliances - Fans - Business Machines	<b>DESCRIPTIONS:</b> - Conductor: Stranded Bare Copper - Insulation: Colour Coded PVC - Jacket: PVC - SPT-1: 300V, 105°C - SPT-2: 600V, 105°C	<b>TESTING:</b> - Passes UL VW-1 and CSA FT-2 Vertical Flame Test - Approvals: UL Listed / CSA Approved
--	--	---



ITEM NUMBER	LENGTH	CORD TYPE	AWG	NEMA CONFIG	SLIT LENGTH	STRIP LENGTH	RATING @ 125V		TEMP RATING C	COLOUR	FIGURE
							WATT	AMPS			
PCBL6SPT1TT	6'	SPT-1	18 / 2	1 - 15P	1 - 1/2"	1/2"	1,250	10A	105	BLACK	A
PCBR6SPT1TT	6'	SPT-1	18 / 2	1 - 15P	1 - 1/2"	1/2"	1,250	10A	105	BROWN	A
PCGD6SPT1TT	6'	SPT-1	18 / 2	1 - 15P	1 - 1/2"	1/2"	1,250	10A	105	GOLD	A
PCWH6SPT1TT	6'	SPT-1	18 / 2	1 - 15P	1 - 1/2"	1/2"	1,250	10A	105	WHITE	A
PCBL6SPT2TT	6'	SPT-2	18 / 2	1 - 15P	1 - 1/2"	1/2"	1,250	10A	105	BLACK	A
PCBR6SPT2TT	6'	SPT-2	18 / 2	1 - 15P	1 - 1/2"	1/2"	1,250	10A	105	BROWN	A
PCGD6SPT2TT	6'	SPT-2	18 / 2	1 - 15P	1 - 1/2"	1/2"	1,250	10A	105	GOLD	A
PCWH6SPT2TT	6'	SPT-2	18 / 2	1 - 15P	1 - 1/2"	1/2"	1,250	10A	105	WHITE	A
PCBL8SPT1TT	8'	SPT-1	18 / 2	1 - 15P	1 - 1/2"	1/2"	1,250	10A	105	BLACK	A
PCBR8SPT1TT	8'	SPT-1	18 / 2	1 - 15P	1 - 1/2"	1/2"	1,250	10A	105	BROWN	A
PCGD8SPT1TT	8'	SPT-1	18 / 2	1 - 15P	1 - 1/2"	1/2"	1,250	10A	105	GOLD	A
PCWH8SPT1TT	8'	SPT-1	18 / 2	1 - 15P	1 - 1/2"	1/2"	1,250	10A	105	WHITE	A
PCBL8SPT2TT	8'	SPT-2	18 / 2	1 - 15P	1 - 1/2"	1/2"	1,250	10A	105	BLACK	A
PCBR8SPT2TT	8'	SPT-2	18 / 2	1 - 15P	1 - 1/2"	1/2"	1,250	10A	105	BROWN	A
PCGD8SPT2TT	8'	SPT-2	18 / 2	1 - 15P	1 - 1/2"	1/2"	1,250	10A	105	GOLD	A
PCWH8SPT2TT	8'	SPT-2	18 / 2	1 - 15P	1 - 1/2"	1/2"	1,250	10A	105	WHITE	A
PCBL8SPT2-18/3	8'	SPT-2	18 / 3	5 - 15P	1 - 1/2"	1/2"	1,250	10A	105	BLACK	B
PCWH8SPT2-18/3	8'	SPT-2	18 / 3	5 - 15P	1 - 1/2"	1/2"	1,250	10A	105	WHITE	B
PCBL10SPT2TT	10'	SPT-2	18 / 2	1 - 15P	1 - 1/2"	1/2"	1,250	10A	105	BLACK	A
PCBR10SPT2TT	10'	SPT-2	18 / 2	1 - 15P	1 - 1/2"	1/2"	1,250	10A	105	BROWN	A
PCGD11SPT2TT	11'	SPT-2	18 / 2	1 - 15P	1 - 1/2"	1/2"	1,250	10A	105	GOLD	A
PCBL15SPT2TT	15'	SPT-2	18 / 2	1 - 15P	1 - 1/2"	1/2"	1,250	10A	105	BLACK	A
PCGD15SPT2TT	15'	SPT-2	18 / 2	1 - 15P	1 - 1/2"	1/2"	1,250	10A	105	GOLD	A

Other lengths and types are available on a custom order basis, Please contact the office with your request.



FOR MORE INFORMATION PLEASE CALL 1-800-661-9610 (HEAD OFFICE) 1-888-762-5384 (USA)

PLEASE CONSULT THE FACTORY FOR MORE PRODUCTS AND CUSTOMIZATION. PRODUCT DETAILS AND SPECIFICATIONS ARE SUBJECT TO CHANGE WITHOUT NOTICE.

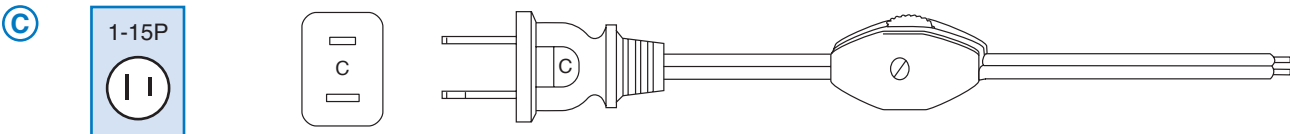
POWER CORDS



**POWER SUPPLY CORD**

**SPT Cord with In-line Feed Through Switch - Polarized**

<p><b>CORD APPLICATIONS:</b></p> <ul style="list-style-type: none"> <li>- Portable Lamps</li> <li>- Ceramic Hobbyists</li> <li>- Signs and Displays</li> </ul>	<p><b>DESCRIPTIONS:</b></p> <ul style="list-style-type: none"> <li>- Conductor: Stranded Bare Copper</li> <li>- Insulation: Colour Coded PVC</li> <li>- Jacket: PVC</li> <li>- 300V, 105°C</li> <li>- Cord: Polarized male with in-line ON-OFF switch</li> </ul>	<p><b>TESTING:</b></p> <ul style="list-style-type: none"> <li>- Approvals: UL Listed / CSA Approved</li> </ul>
--	--	--

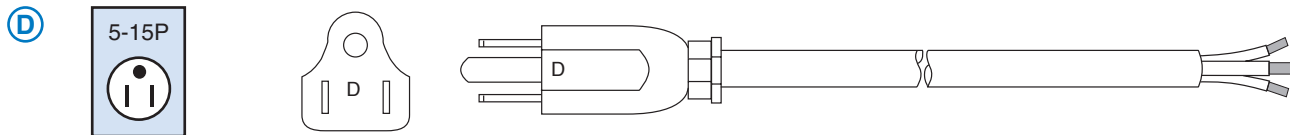


ITEM NUMBER	LENGTH	CORD TYPE	AWG	NEMA CONFIG	FREE END FROM SWITCH	SLIT LENGTH	STRIP LENGTH	RATING @ 125V		TEMP RATING C	COLOUR	FIGURE
								WATT	AMPS			
PCBL6SPT1SW24	6'	SPT-1	18 / 2	1 - 15P	24"	1 - 1/2"	1/2"	1,250	10A	105	BLACK	C
PCGD6SPT1SW24	6'	SPT-1	18 / 2	1 - 15P	24"	1 - 1/2"	1/2"	1,250	10A	105	GOLD	C
PCWH6SPT1SW24	6'	SPT-1	18 / 2	1 - 15P	24"	1 - 1/2"	1/2"	1,250	10A	105	WHITE	C
PCWH6SPT1SW36	6'	SPT-1	18 / 2	1 - 15P	36"	1 - 1/2"	1/2"	1,250	10A	105	WHITE	C
PCBL8SPT1SW36	8'	SPT-1	18 / 2	1 - 15P	36"	1 - 1/2"	1/2"	1,250	10A	105	BLACK	C
PCBR8SPT1SW36	8'	SPT-1	18 / 2	1 - 15P	36"	1 - 1/2"	1/2"	1,250	10A	105	BROWN	C
PCWH8SPT1SW36	8'	SPT-1	18 / 2	1 - 15P	36"	1 - 1/2"	1/2"	1,250	10A	105	WHITE	C

ALSO AVAILABLE IN SPT-2 18/2 - REPLACE "1" WITH "2" IN PART NUMBER. e.g. PCBL6SPT2SW24

**SVT Cord - 3 Conductor PVC with Molded NEMA 5 - 15P Plug**

<p><b>CORD APPLICATIONS:</b></p> <ul style="list-style-type: none"> <li>- Vacuum Cleaners</li> <li>- Household Appliances</li> <li>- Illuminated Signs</li> <li>- Business Machines</li> </ul>	<p><b>DESCRIPTIONS:</b></p> <ul style="list-style-type: none"> <li>- Conductor: Stranded Bare Copper</li> <li>- Insulation: Colour Coded PVC</li> <li>- Jacket: PVC</li> <li>- 300V, 105°C</li> </ul>	<p><b>TESTING:</b></p> <ul style="list-style-type: none"> <li>- Passes UL VW-1 and CSA FT-2 Vertical Flame Test</li> <li>- Approvals: UL Listed / CSA Approved</li> </ul>
--	---	---



ITEM NUMBER	LENGTH	CORD TYPE	AWG	NEMA CONFIG	STRAND-ING	NOM OD	JACKET REMOVED	STRIP LENGTH	RATING @ 125V		TEMP RATING C	COLOUR	FIGURE
									WATT	AMPS			
PCWH3SVT18/3	3'	SVT	18 / 3	5 - 15P	41 X 34	0.244"	6"	1/2"	1,250	10A	105	WHITE	D
PCBL4SVT18/3	4'	SVT	18 / 3	5 - 15P	41 X 34	0.244"	6"	1/2"	1,250	10A	105	BLACK	D
PCBL6SVT18/3	6'	SVT	18 / 3	5 - 15P	41 X 34	0.244"	6"	1/2"	1,250	10A	105	BLACK	D
PCWH6SVT18/3	6'	SVT	18 / 3	5 - 15P	41 X 34	0.244"	6"	1/2"	1,250	10A	105	WHITE	D
PCBL8SVT18/3	8'	SVT	18 / 3	5 - 15P	41 X 34	0.244"	6"	1/2"	1,250	10A	105	BLACK	D
PCWH8SVT18/3	8'	SVT	18 / 3	5 - 15P	41 X 34	0.244"	6"	1/2"	1,250	10A	105	WHITE	D
PCBL10SVT18/3	10'	SVT	18 / 3	5 - 15P	41 X 34	0.244"	6"	1/2"	1,250	10A	105	BLACK	D
PCWH10SVT18/3	10'	SVT	18 / 3	5 - 15P	41 X 34	0.244"	6"	1/2"	1,250	10A	105	WHITE	D
PCBL11SVT18/3	11'	SVT	18 / 3	5 - 15P	41 X 34	0.244"	6"	1/2"	1,250	10A	105	BLACK	D
PCBL15SVT18/3	15'	SVT	18 / 3	5 - 15P	41 X 34	0.244"	6"	1/2"	1,250	10A	105	BLACK	D

FOR MORE INFORMATION PLEASE CALL 1-800-661-9610 (HEAD OFFICE) 1-888-762-5384 (USA)

PLEASE CONSULT THE FACTORY FOR MORE PRODUCTS AND CUSTOMIZATION. PRODUCT DETAILS AND SPECIFICATIONS ARE SUBJECT TO CHANGE WITHOUT NOTICE.



# STANDARD POWER SUPPLY CORDS

K4

## POWER SUPPLY CORD

### SJT / SJTW Cords - 3 Conductor

**CORD APPLICATIONS:**

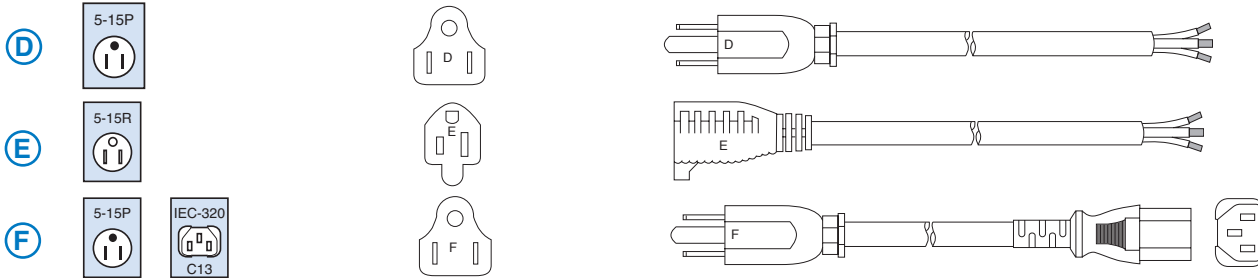
- Portable Tools
- Office Machines
- Shop Lights
- Medical Equipment

**DESCRIPTIONS:**

- Conductor: Stranded Bare Copper
- Insulation: Colour Coded PVC
- Jacket: PVC
- 300V, 105°C

**TESTING:**

- Passes UL VW-1 and CSA FT-2 Vertical Flame Test
- Approvals: UL Listed / CSA Approved



SJT is for indoor use, rated 105°C and SJTW is marked for outdoor use, rated 60°C.

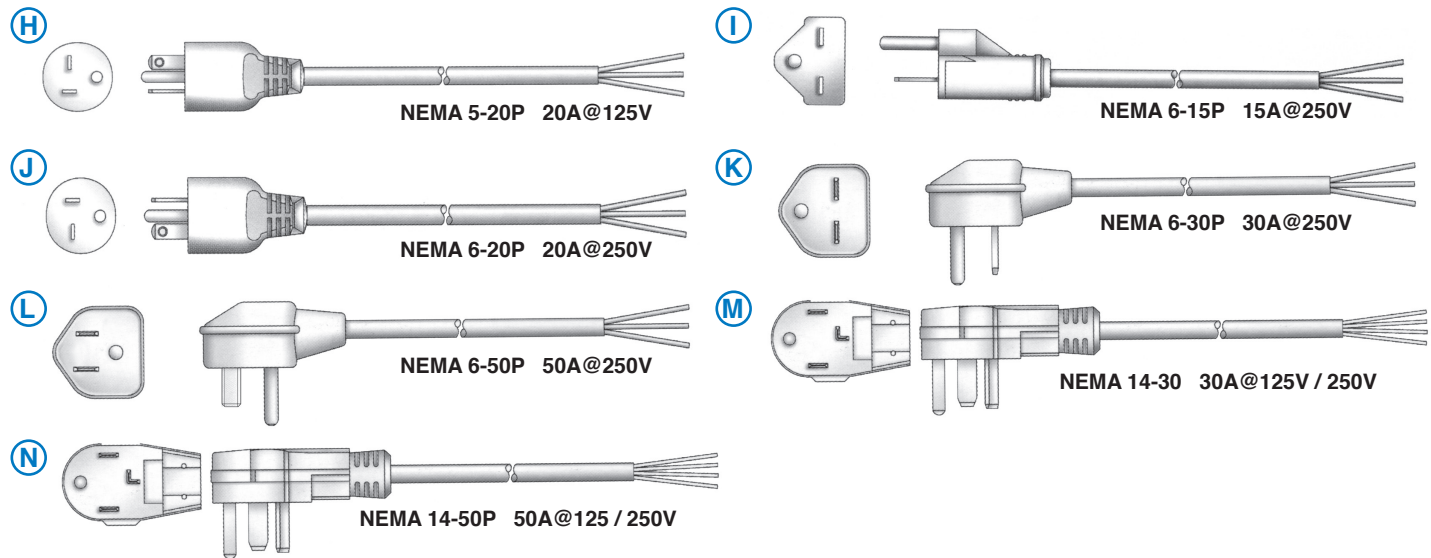
ITEM NUMBER	LENGTH	CORD TYPE	AWG	NEMA CONFIG	STRAND-ING	NOM OD	JACKET REMOVED	STRIP LENGTH	RATING @ 125V		TEMP RATING C	COLOUR	FIGURE
									WATT	AMPS			
PCBL3SJT16/3	3'	SJT	16 / 3	5 - 15P	26 X 30	0.331"	6"	1/2"	1,625	13A	105	BLACK	D
PCBL3SJTW16/3	3'	SJTW	16 / 3	5 - 15P	26 X 30	0.331"	6"	1/2"	1,625	13A	105	BLACK	D
PCBL3SJT18/3	3'	SJT	18 / 3	5 - 15P	41 X 34	0.307"	6"	1/2"	1,250	10A	105	BLACK	D
PCBL3SJTW18/3	3'	SJTW	18 / 3	5 - 15P	41 X 34	0.307"	6"	1/2"	1,250	10A	105	BLACK	D
PCWH3SJT14/3	3'	SJT	14 / 3	5 - 15P	41 X 30	0.366"	6"	1/2"	1,875	15A	105	WHITE	D
PCBL4SJTW18/3	4'	SJTW	18 / 3	5 - 15P	41 X 34	0.307"	6"	1/2"	1,250	10A	105	BLACK	D
PCBL6SJT16/3	6'	SJT	16 / 3	5 - 15P	26 X 30	0.331"	6"	1/2"	1,625	13A	105	BLACK	D
PCBL6SJTW16/3	6'	SJTW	16 / 3	5 - 15P	26 X 30	0.331"	6"	1/2"	1,625	13A	105	BLACK	D
PCBL6SJT18/3	6'	SJT	18 / 3	5 - 15P	41 X 34	0.307"	6"	1/2"	1,250	10A	105	BLACK	D
PCBL6SJTW18/3	6'	SJTW	18 / 3	5 - 15P	41 X 34	0.307"	6"	1/2"	1,250	10A	105	BLACK	D
PCBL6SJT14/3	6'	SJT	14 / 3	5 - 15P	41 X 30	0.366"	6"	1/2"	1,875	15A	105	BLACK	D
PCBL6SJTW14/3	6'	SJTW	14 / 3	5 - 15P	41 X 30	0.366"	6"	1/2"	1,875	15A	105	BLACK	D
PCBL8SJT14/3	8'	SJT	14 / 3	5 - 15P	41 X 30	0.366"	6"	1/2"	1,875	15A	105	BLACK	D
PCBL8SJT14/3F	8'	SJT	14 / 3	5 - 15R	41 X 30	0.366"	6"	1/2"	1,875	15A	105	BLACK	E
PCBL8SJTW14/3	8'	SJTW	14 / 3	5 - 15P	41 X 30	0.366"	6"	1/2"	1,875	15A	105	BLACK	D
PCBL8SJT16/3	8'	SJT	16 / 3	5 - 15P	26 X 30	0.331"	6"	1/2"	1,625	13A	105	BLACK	D
PCBL8SJTW16/3	8'	SJTW	16 / 3	5 - 15P	26 X 30	0.331"	6"	1/2"	1,625	13A	105	BLACK	D
PCBL8S-JTW16/3IEC*	8'	SJTW	16 / 3	5 - 15P / IEC-320	26 X 30	0.331"	-	-	1,625	13A	105	BLACK	F
PCBL8SJT18/3	8'	SJT	18 / 3	5 - 15P	41 X 34	0.307"	6"	1/2"	1,250	10A	105	BLACK	D
PCBL8SJTW18/3	8'	SJTW	18 / 3	5 - 15P	41 X 34	0.307"	6"	1/2"	1,250	10A	105	BLACK	D
PCBL10SJTW14/3	10'	SJTW	14 / 3	5 - 15P	41 X 30	0.366"	6"	1/2"	1,875	15A	105	BLACK	D
PCBL10SJT14/3	10'	SJT	18 / 3	5 - 15P	41 X 34	0.307"	6"	1/2"	1,250	10A	105	BLACK	D
PCBL15SJTW14/3	15'	SJTW	14 / 3	5 - 15P	41 X 30	0.366"	6"	1/2"	1,875	15A	105	BLACK	D
PCBL15SJTW16/3	15'	SJTW	16 / 3	5 - 15P	26 X 30	0.331"	6"	1/2"	1,625	13A	105	BLACK	D
PCBL15SJTW18/3	15'	SJTW	18 / 3	5 - 15P	41 X 34	0.307"	6"	1/2"	1,250	10A	105	BLACK	D
PCBL8SJOW14/3	8'	SJOW	14 / 3	5 - 15P	41 X 30	0.365"	6"	1/2"	1,875	15A	90	BLACK	D
PCBL8SJOW16/3	8'	SJOW	16 / 3	5 - 15P	26 X 30	0.330"	6"	1/2"	1,625	13A	90	BLACK	D

# STANDARD POWER SUPPLY CORDS

## POWER SUPPLY CORD

### Heavy Duty Power Supply Cord

<b>CORD APPLICATIONS:</b> - Power Supply Wire for Ranges and Dryers - Industrial Machines - Welding Equipment - Heating Equipment	<b>DESCRIPTIONS:</b> - Conductor: Stranded Bare Copper - Insulation: Colour Coded PVC - Jacket: PVC - 300V	<b>TESTING:</b> - Approvals: UL Listed / CSA Approved
---	--	--



ITEM NUMBER	LENGTH	CORD TYPE	AWG	NEMA CONFIG	STRAND-ING	NOM OD	JACKET REMOVED	STRIP LENGTH	RATING @ 125V		TEMP RATING C	COLOUR	FIGURE
									WATT	AMPS			
<b>STRAIGHT PLUG HEAVY DUTY POWER SUPPLY CORDS</b>													
PCBL8S-JT14/3-520P	8'	SJT	14 / 3	5 - 20P	41	0.365"	6"	1/2"	1,875	20A @ 125V	105	BLACK	H
PCBL8S-JT14/3-615P	8'	SJT	14 / 3	6 - 15P	41	0.365"	6"	1/2"	1,875	15A @ 250V	105	BLACK	I
PCBL8S-JT14/3-620P	8'	SJT	14 / 3	6 - 20P	41	0.365"	6"	1/2"	1,875	20A @ 250V	105	BLACK	J
<b>RIGHT ANGLE HEAVY DUTY POWER SUPPLY CORDS - 30A @ 250V</b>													
PCBL6S-JTW12/3-630RA	6'	SJTW	12 / 3	6 - 30P	65	0.433"	6"	1/2"	7,500	30A	60	BLACK	K
PCBL6S-JOW12/3-630RA	6'	SJOW	12 / 3	6 - 30P	65	0.433"	6"	1/2"	7,500	30A	90	BLACK	K
<b>RIGHT ANGLE HEAVY DUTY POWER SUPPLY CORDS - 50A @ 250V</b>													
PCGY-6DRT6/3-650RA	6'	SDRT / DRT	6 / 3	6 - 50P	104	0.98"	6"	1/2"	12,500	50A	60	GREY	L
<b>RANGE AND DRYER CORDS</b>													
PC-BL5DRT10/3-1430P	5'	SDRT	10/3 + 1/12	14 - 30P	3 X 52/1 X 65	0.620"	6"	3/4"	3,750 / 7,500	30A 125/ 250V	60	BLACK	M
PC-BL5DRT8/3-1450P	5'	SDRT	8/3 + 1/10	14 - 50P	3 X 81/1 X 52	0.660"	6"	3/4"	6,250 / 12,500	50A 125/ 250V	60	BLACK	N

FOR MORE INFORMATION PLEASE CALL 1-800-661-9610 (HEAD OFFICE) 1-888-762-5384 (USA)

PLEASE CONSULT THE FACTORY FOR MORE PRODUCTS AND CUSTOMIZATION.  
 PRODUCT DETAILS AND SPECIFICATIONS ARE SUBJECT TO CHANGE WITHOUT NOTICE.



SPECIALTY POWER SUPPLY CORD

Molded Twist Lock Power Supply Cords

CORD APPLICATIONS:

- Power Supply Wire
- Electrical Equipment
- Lighting
- Industrial Machines

DESCRIPTIONS:

- Conductor: Stranded Bare Copper
- Insulation: Colour Coded PVC
- Jacket: PVC
- SJTW: 300V, 60°C
- ST: 600V, 105°C

TESTING:

- Approvals: UL Listed / CSA Approved

MALE PLUG



FEMALE PLUG



<p><b>FIGURE O</b></p> <p>NEMA:  END VIEW: </p> <p>L5-15P 15A@125V</p>		<p><b>FIGURE P</b></p> <p>NEMA:  END VIEW: </p> <p>L5-15R 15A@125V</p>		<p><b>FIGURE Q</b></p> <p>NEMA:  END VIEW: </p> <p>L5-20P 20A@125V</p>		<p><b>FIGURE R</b></p> <p>NEMA:  END VIEW: </p> <p>L5-20R 20A@125V</p>	
<p><b>FIGURE S</b></p> <p>NEMA:  END VIEW: </p> <p>L6-15P 15@250V</p>		<p><b>FIGURE T</b></p> <p>NEMA:  END VIEW: </p> <p>L6-15R 15A@250V</p>		<p><b>FIGURE U</b></p> <p>NEMA:  END VIEW: </p> <p>L6-20P 20A@250V</p>		<p><b>FIGURE V</b></p> <p>NEMA:  END VIEW: </p> <p>L6-20R 20A@250V</p>	

ITEM NUMBER	LENGTH	CORD TYPE	AWG	NEMA CONFIG	STRAND-ING	NOM OD	JACKET REMOVED	STRIP LENGTH	RATING @ 125V		TEMP RATING C	COLOUR	FIGURE
									WATT	AMPS			
PCBL8SJTW14/3 TL515P	8'	SJTW	14 / 3	L5 - 15P	41 X 30	0.366"	6"	1/2"	1,875	15A	60 to -34	BLACK	O
PCBL8SJTW14/3 TL515R	8'	SJTW	14 / 3	L5 - 15R	41 X 30	0.366"	6"	1/2"	1,875	15A	60 to -34	BLACK	P
PCBL8SJTW12/3 TL520P	8'	SJTW	12 / 3	L5 - 20P	65 X 30	0.455"	6"	1/2"	2,400	20A	60 to -34	BLACK	Q
PCBL8SJTW12/3 TL520R	8'	SJTW	12 / 3	L5 - 20R	65 X 30	0.455"	6"	1/2"	2,400	20A	60 to -34	BLACK	R
PCBL8ST12/3 TL515P	8'	ST	12 / 3	L5 - 15P	104 X 30	0.633"	6"	1/2"	1,875	15A	105	BLACK	O
PCBL8ST12/3 TL515R	8'	ST	12 / 3	L5 - 15R	104 X 30	0.633"	6"	1/2"	1,875	15A	105	BLACK	P
PCBL8ST10/3 TL520P	8'	ST	10 / 3	L5 - 20P	104 X 30	0.685"	6"	1/2"	2,400	20A	105	BLACK	Q
PCBL8ST10/3 TL520R	8'	ST	10 / 3	L5 - 20R	104 X 30	0.685"	6"	1/2"	2,400	20A	105	BLACK	R
PCBL8SJTW14/3 TL615P	8'	SJTW	14 / 3	L6 - 15P	41 X 30	0.366"	6"	1/2"	1,875	15A	60 to -34	BLACK	S
PCBL8SJTW14/3 TL615R	8'	SJTW	14 / 3	L6 - 15R	41 X 30	0.366"	6"	1/2"	1,875	15A	60 to -34	BLACK	T
PCBL8SJTW12/3 TL620P	8'	SJTW	12 / 3	L6 - 20P	65 X 30	0.455"	6"	1/2"	2,400	20A	60 to -34	BLACK	U
PCBL8SJTW12/3 TL620R	8'	SJTW	12 / 3	L6 - 20R	65 X 30	0.455"	6"	1/2"	2,400	20A	60 to -34	BLACK	V

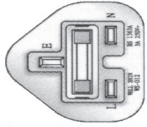
# STANDARD POWER SUPPLY CORDS

## SPECIALTY POWER SUPPLY CORD

### United Kingdom / Ireland Power Supply Cord

<b>CORD APPLICATIONS:</b> <ul style="list-style-type: none"> <li>- Power Supply Wire</li> <li>- Electrical Appliances</li> <li>- Illuminated Signs</li> <li>- Business Machines</li> </ul>	<b>DESCRIPTIONS:</b> <ul style="list-style-type: none"> <li>- Conductor: Stranded Bare Copper</li> <li>- Insulation: Colour Coded PVC</li> <li>- Jacket: PVC</li> <li>- 300V, 70°C</li> <li>- Plug contains BS 1362 10A fuse</li> </ul>	<b>TESTING:</b> <ul style="list-style-type: none"> <li>- Approvals: ASTA – Great Britain</li> </ul>
---	--	--

(X)



ITEM NUMBER	LENGTH	CORD TYPE	MM / AWG	EEC CONFIG	STRAND-ING	NOM OD	JACKET REMOVED	STRIP LENGTH	RATING @ 125V		TEMP RATING C	COLOUR	FIGURE
									WATT	AMPS			
<b>GREAT BRITAIN / HONG KONG / INDIA</b>													
PCBL2.5MUK	2.5 m	HO5 VVF	.1mm/ 3C (approx16)	UK BS1362	31/32	7.0 mm	152 mm	13 mm	2,500	10A	70	BLACK	X

### Continental Europe - VDE (German) Power Supply Cord

<b>CORD APPLICATIONS:</b> <ul style="list-style-type: none"> <li>- Power Supply Wire</li> <li>- Electrical Appliances</li> <li>- Illuminated Signs</li> <li>- Business Machines</li> </ul>	<b>DESCRIPTIONS:</b> <ul style="list-style-type: none"> <li>- Conductor: Stranded Bare Copper</li> <li>- Insulation: Colour Coded PVC</li> <li>- Jacket: PVC</li> <li>- 300V, 70°C</li> </ul>	<b>TESTING:</b> <ul style="list-style-type: none"> <li>- VDE - Germany</li> <li>- OVE - Austria</li> <li>- CEBEC - Belgium</li> <li>- FI - Finland</li> <li>- NFUTE - France</li> <li>- N - Norway</li> <li>- S - Sweden</li> <li>- Kema Keur - Netherlands</li> </ul>
---	--	---

(Y)



ITEM NUMBER	LENGTH	CORD TYPE	MM / AWG	EEC CONFIG	STRAND-ING	NOM OD	JACKET REMOVED	STRIP LENGTH	RATING @ 125V		TEMP RATING C	COLOUR	FIGURE
									WATT	AMPS			
<b>CONTINENTAL EUROPE - VDE (GERMAN)</b>													
PC-BL2.5MH05V VF	2.5 m	HO5 VVF	.75mm/ 3C	VDE CEE7	31/32	7.0 mm	152 mm	13 mm	2,500	10A	70	BLACK	Y
PCBL2.5HO5 VVFVDE	2.5 m	HO5 VVF	.1mm/ 3C (approx16)	VDE CEE7	31/32	7.0 mm	152 mm	13 mm	2,500	10A	70	BLACK	Y

FOR MORE INFORMATION PLEASE CALL 1-800-661-9610 (HEAD OFFICE) 1-888-762-5384 (USA)

PLEASE CONSULT THE FACTORY FOR MORE PRODUCTS AND CUSTOMIZATION.  
 PRODUCT DETAILS AND SPECIFICATIONS ARE SUBJECT TO CHANGE WITHOUT NOTICE.



# STANDARD POWER SUPPLY CORDS

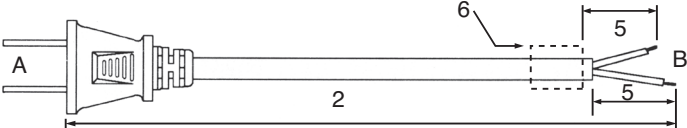
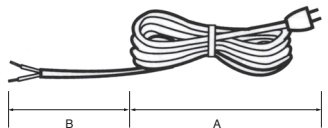
K8

## POWER SUPPLY CORD AC PLUG AND RECEPTACLES / ORDERING GUIDE

### CUSTOM CORDSET ORDERING GUIDE

Company Information: \_\_\_\_\_  
 Your Name: \_\_\_\_\_ Title: \_\_\_\_\_  
 Company: \_\_\_\_\_ Date: \_\_\_\_\_  
 Phone No.: \_\_\_\_\_ Fax No.: \_\_\_\_\_  
 Address: \_\_\_\_\_  
 Country: \_\_\_\_\_ ZIP / Postal Code: \_\_\_\_\_

### CORD SET INFORMATION

YOUR PART NO.	REVISION:	QUOTE QUANTITY:
Print Attached? Yes No Sample Enclosed? Yes No		
		

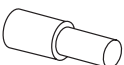
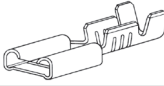


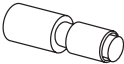
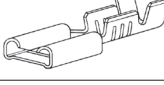


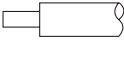
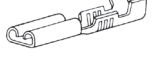
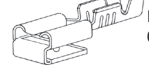

PLEASE FILL IN THE BLANKS AS REQUIRED.

- Specify wire type, No. of conductors, wire gauge. (eg. SJT 3-18) (pages J12-J15) \_\_\_\_\_
- Specify the overall length of cordset. (e.g. 8') \_\_\_\_\_
- Specify the colour. (if a colour match is required enclose a chip or wire sample) \_\_\_\_\_
- Specify "A" End Male Plug No. from the page J9 \_\_\_\_\_ Or Female Receptacle No. on J10 \_\_\_\_\_
- Specify "B" End: Outer Jacket Removed (OJR) \_\_\_\_\_ Or Other Receptacle or Plug \_\_\_\_\_

	LIVE / BLACK	NEUTRAL / WHITE	GROUND / GREEN
Overall length of conductor: _____	_____	_____	_____
Strip Length:(Full or Partial) _____	_____	_____	_____
Twisted and tinned: Yes No _____	_____	_____	_____
Terminals: _____	_____	_____	_____
Type: (ring, spade, female disc, etc.) _____	_____	_____	_____
Mating tab or stud size. _____	_____	_____	_____

- Strain relief: Yes No
- Put up: Tied Loop Hank Coiled A - Hank / Loop Size B - Free end length
- Other Details \_\_\_\_\_

### WIRE LEAD END STRIP / TERMINATION GUIDE

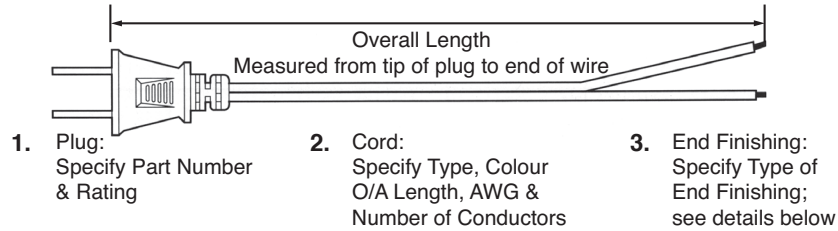
 Full Strip Specify Length	 0.250" x 0.032" Female Disconnect	 Ring Terminal #6, #10, 1/4", 5/16", 3/8" Stud	 Barrel
 Partial Strip Specify Length	 0.187" x 0.020" or 0.032" Female Disconnect	 Spade Terminal #6, #8, #10, 1/4" Stud	 0.250" x 0.020" x 0.032" Flag Terminal
 Tinned or Fused End Specify Length	 0.110" x 0.020" or 0.032" Female Disconnect	 Piggy Back Terminal 0.250" x 0.032"	 A A. Male Pin B. Female Receptacle



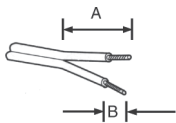
**POWER SUPPLY CORD AC PLUG AND RECEPTACLES / ORDERING GUIDE**

**CORD SETS ORDERING GUIDE**

HOW TO SPECIFY POWER SUPPLY CORDS  
THE 3 BASIC PARTS OF CORD



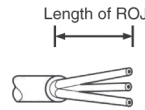
**END OF FINISHING OF CORDS**



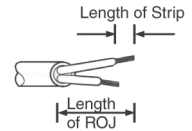
**A. LENGTH OF SLIT  
B. LENGTH OF STRIP**



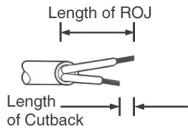
**BLUNT CUT**



**ROJ FILLERS TRIMMED**



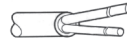
**ROJ (SEE ABOVE) AND STRIP CONDUCTOR**



**STAGGER CUT**



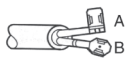
**CONDUCTORS TWISTED AND TIN TIPPED**



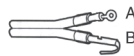
**CONDUCTORS PARTIAL STRIP**



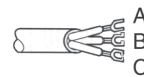
**ATTACHED TERMINALS  
A. EYELET  
B. RING TONGUE**



**ATTACHED QUICK CONNECT TERMINAL  
A. FLAG  
B. STRAIGHT**



**ATTACH  
A. TERMINAL RING  
B. PIGGY-BACK**



**ATTACHED SPADE TERMINAL  
A. PLAIN  
B. FLANGED  
C. LOCKING**

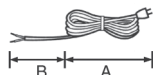


**CONDUCTORS TWISTED ONLY**

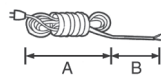
**STANDARD CORD SET PUT-UP**



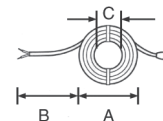
**TIED IN BUNDLES**



**TIED LOOP HANK  
A. HANK LENGTH  
B. FREE END LENGTH**



**MACHINE HANK  
A. HANK LENGTH  
B. FREE END LENGTH**



**COILED AND TIED  
A. COIL DIAMETER  
B. FREE END LENGTH  
C. INSIDE DIAMETER**

FOR MORE INFORMATION PLEASE CALL 1-800-661-9610 (HEAD OFFICE) 1-888-762-5384 (USA)

PLEASE CONSULT THE FACTORY FOR MORE PRODUCTS AND CUSTOMIZATION.  
PRODUCT DETAILS AND SPECIFICATIONS ARE SUBJECT TO CHANGE WITHOUT NOTICE.



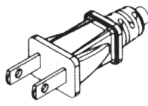
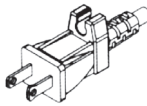
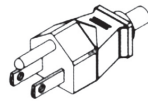
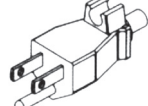
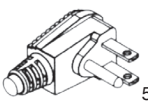
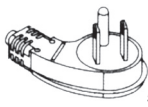
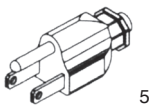
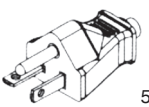
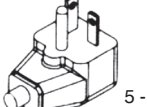
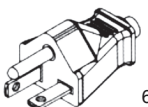

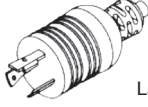
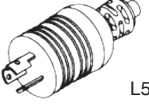
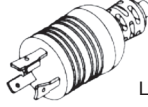
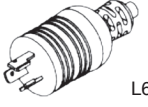
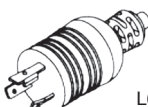
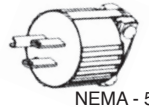
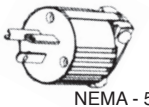
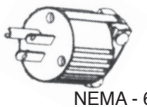
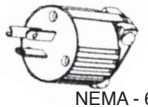
# STANDARD POWER SUPPLY CORDS

K10

## PLUG FOR CUSTOM CORDSETS

### Plug, Socket and Connector Types

#### USA NEMA PLUG TYPE

 1 - 15P <b>P1-1P</b> TWIN STRAIGHT BLADE	 1 - 15P <b>P1-1PC</b> TWIN POLARIZED W/ CORD CLIP	 5 - 15P <b>P5-1</b> STRAIGHT GROUNDED	 5 - 15P <b>P5-1C</b> STRAIGHT GROUNDED W/ CORD CLIP	 5 - 15P <b>P5-1-RA</b> GROUNDED RIGHT ANGLE
 5 - 15P <b>P5-1-RA45</b> RIGHT ANGLE 45°	 5 - 15P <b>P5-12</b> STRAIGHT GROUNDED	 5 - 20P <b>P5-2</b> STRAIGHT GROUNDED	 5 - 20P <b>P5-2-RA</b> GROUNDED RIGHT ANGLE	 6 - 20P <b>P6-2</b> STRAIGHT GROUNDED
 14 - 30P <b>P14-3</b>	 L5 - 15P <b>PL5-1</b>	 L5 - 20P <b>PL5-2</b>	 L6 - 15P <b>PL6-1</b>	 L6 - 20P <b>PL6-2</b>
 L6 - 30P <b>PL6-3</b>	 NEMA - 5 - 15P <b>PA5-1</b>	 NEMA - 5 - 20P <b>PA5-2</b>	 NEMA - 6 - 15P <b>PA6-1</b>	 NEMA - 6 - 20P <b>PA6-2</b>

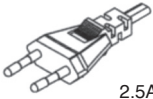
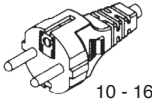
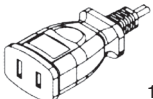
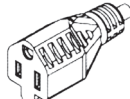
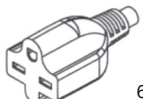

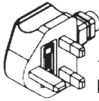
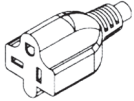


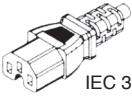
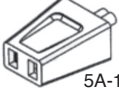

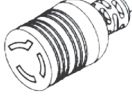


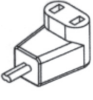
PLUG NO.	NEMA	RATING		PLUG STYLE	FOR AWG RANGE	APPLICABLE WIRE TYPES
		VOLTS	CURRENT			
P1-1P	1 - 15P	125V	15A	STRAIGHT	18 - 16	SPT-1, SPT-2
P1-1PC	1 - 15P	125V	15A	STRAIGHT W/ CORD GRIP	18 - 16	SPT-1, SPT-2
P5-1	5 - 15P	125V	15A	STRAIGHT, MEDIUM PLUG	18 - 16 - 14	SPT-2, SPT-3, SVT, SJ, SJT, SJTW, SJO
P5-1C	5 - 15P	125V	15A	STRAIGHT W/ CORD GRIP	18 - 16 - 14	SPT-2, SPT-3, SVT, SJ, SJT, SJTW, SJO
P5-1-RA	5 - 15P	125V	15A	RIGHT ANGLE	18 - 16 - 14	SPT-2, SPT-3, SVT, SJ, SJT, SJTW, SJO
P5-1-RA45	5 - 15P	125V	15A	RIGHT ANGLE +45° ANGLE	18 - 16 - 14	SPT-2, SPT-3, SVT, SJ, SJT, SJTW, SJO
P5-12	5 - 15P	125V	15A	STRAIGHT, SMALL PLUG	18 - 16 - 14	SPT-2, SPT-3, SVT, SJ, SJT, SJTW, SJO
P5-2	5 - 20P	125V	20A	STRAIGHT	18 - 16 - 14	SVT, SJT, SJTW
P5-2-RA	5 - 20P	125V	20A	RIGHT ANGLE	18 - 16 - 14 - 12	SJT, SJTW
P6-2	6 - 20P	250V	20A	STRAIGHT	18 - 16 - 14 - 12	SVT, SJT, SJTW
P14-3	14 - 30P	125-250V	30A	RIGHT ANGLE	SEE NEXT	12-10 SRDT, 14-12 SJT / SJTW
PL5-1	L5 - 15P	125V	15A	TWIST LOCK	16 - 14	SJ, SJO, SJT, SJTO, SJTW
PL5-2	L5 - 20P	125V	20A	TWIST LOCK	14 - 10	SJ, SJO, SJT, SJTO, SJTW
PL6-1	L6 - 15P	250V	15A	TWIST LOCK	16 - 14	SJ, SJO, SJT, SJTO, SJTW
PL6-2	L6 - 20P	250V	20A	TWIST LOCK	14 - 10	SJ, SJO, SJT, SJTO, SJTW
PL6-3	L6 - 30P	250V	30A	TWIST LOCK	14 - 10	SJ, SJO, SJT, SJTO, SJTW

PLUG FOR CUSTOM CORDSETS

Receptacles / Specialty Plugs for Custom Cordsets

EUROPE / OTHERS NEMA CONNECTOR TYPE

USA NEMA CONNECTOR TYPE

 2.5A 250V <b>PCEE - 1</b>	 10 - 16A 250V <b>PCEE - 2</b>	 1 - 15R <b>R1 - 1P</b>	 5 - 15R <b>R5 - 1</b>	 6 - 15R <b>R6 - 1</b>
 10 - 16A 250V <b>PCEE - 2RA</b>	 13A-250V FUSED BS1363 <b>PBSI - 1</b>	 6 - 20R <b>R6 - 2</b>	 L5 - 15R <b>RL5 - 1</b>	 L5 - 20R <b>RL5 - 2</b>
 IEC 320 C13 <b>RIEC - 1</b>	 5A-120V <b>RFP - 1</b> STRAIGHT FAN PLUG	 L5 - 30R <b>RL5 - 3</b>	 L6 - 15R <b>RL6 - 1</b>	 L6 - 20R <b>RL6 - 2</b>
 <b>RFP - 145</b> 45° FAN PLUG	 <b>RFP - 190</b> 90° FAN PLUG			

POWER CORDS

ITEM NO.	NEMA	RATING		PLUG STYLE	FOR AWG RANGE	APPLICABLE WIRE TYPES
		VOLTS	CURRENT			
<b>RECEPTACLE</b>						
R1-1P	1 - 15R	125V	15A	STRAIGHT	18 - 16	SPT-1, SPT-2
R5 - 1	5 - 15R	125V	15A	STRAIGHT	18 - 16 - 14	SPT-2, SPT-3, SVT, SJ, SJT, SJTW, SJO
R6 - 1	6 - 15R	250V	15A	STRAIGHT	18 - 16 - 14	SPT-2, SPT-3, SVT, SJ, SJT, SJTW, SJO
R6 - 2	6 - 20R	250V	20A	STRAIGHT	18 - 16 - 14 - 12	SPT-2, SPT-3, SJT, SJTW
RL5 - 1	L5 - 15R	125V	15A	TWIST LOCK	16 - 14	SJ, SJO, SJT, SJTO, SJTW
RL5 - 2	L5 - 20R	125V	20A	TWIST LOCK	14 - 10	SJ, SJO, SJT, SJTO, SJTW
RL5 - 3	L5 - 30R	125V	30A	TWIST LOCK	16 - 14	SJ, SJO, SJT, SJTO, SJTW
RL6 - 1	L6 - 15R	250V	15A	TWIST LOCK	14 - 10	SJ, SJO, SJT, SJTO, SJTW
RL6 - 2	L6 - 20R	250V	20A	TWIST LOCK	14 - 10	SJ, SJO, SJT, SJTO, SJTW
RIEC - 1	IEC320 - C13	250V	10A	STRAIGHT 3 PIN	18 - 16 - 14	SPT-2, SPT-3, SVT, SJ, SJT, SJTW, SJO
RFP - 1	FAN PLUG	120V	5A	STRAIGHT 2 WIRE	18 - 16	SPT-1, SPT-2
RFP - 145	FAN PLUG	120V	5A	45D 2 WIRE	18 - 16	SPT-1, SPT-2
RFP - 190	FAN PLUG	120V	5A	90D 2 WIRE	18 - 16	SPT-1, SPT-2
<b>PLUG</b>						
PCEE - 1	CCE	250V	2.5A	STRAIGHT 2 PIN	0.75mm	HO3W-F
PCEE - 2	CEE - 7	250V	10A/16A	STRAIGHT 2 PIN / GROUND	0.75 - 1.0 - 1.5mm	HO3W-F, HO5W-F, HO5RR-F
PCEE - 2RA	CEE - 7	250V	10A/16A	RIGHT ANGLE / GROUND	0.75 - 1.0 - 1.5mm	HO3W-F, HO5W-F, HO5RR-F
PBSI - 1	BSI - 1362	250V	13A	RIGHT ANGLE / GROUND	0.75 - 1.0mm	HO3W-F, HO5W-F, HO5RR-F

FOR MORE INFORMATION PLEASE CALL 1-800-661-9610 (HEAD OFFICE) 1-888-762-5384 (USA)

PLEASE CONSULT THE FACTORY FOR MORE PRODUCTS AND CUSTOMIZATION.  
PRODUCT DETAILS AND SPECIFICATIONS ARE SUBJECT TO CHANGE WITHOUT NOTICE.



WIRE AND CABLE DATA

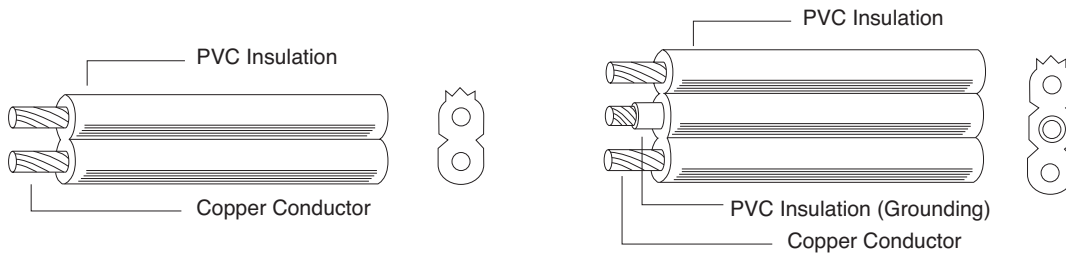
UL / CSA SPT Flexible Cord

PRODUCT DESCRIPTION:

- Conductor: Stranded Bare Copper
- Insulation: Colour Coded PVC
- Rated voltage: 300 volts
- Rated temperature: 60°C ~ 105°C
- Passes UL VW-1 & CSA FT2 vertical flame test
- UL Listed and CSA certified

APPLICATIONS:

- SPT-1 & SPT-2: For use in household clocks, lamps, fans, radios and similar appliances
- SPT-2 (for heavier construction than SPT-1): For use in small air conditioners, refrigerators, and floor lamps
- SPT-3: For heavy duty use in damp locations, especially suitable for refrigerators and room size air conditioners



UL STYLES AND CSA TYPE	CONDUCTOR		NO. OF CONDUCTORS	INSULATION THICKNESS (mm)	OVERALL DIAMETER (mm)
	AWG	NO. / MM			
SPT-1 SPT-1W	18	41/0.160	2	0.76	2.70 X 5.40
	18	41/0.160	3	0.76	2.70 X 7.90
SPT-2 SPT-2W	18	41/0.160	2	1.14	3.50 X 6.90
	16	65/0.160	2	1.14	3.70 X 7.60
	18	41/0.160	3	1.14	3.50 X 8.60
	16	65/0.160	3	1.14	3.80 X 9.60
SPT-3	18	41/0.160	2	1.52	4.40 X 8.70
	16	65/0.160	2	1.52	4.50 X 9.10
	14	41/0.254	2	2.03	6.00 X 10.80
	12	65/0.254	2	2.41	7.40 X 14.00
	10	104/0.254	2	2.79	9.10 X 18.20
	18	41/0.160	3	1.52	4.40 X 10.70
	16	65/0.160	3	1.52	4.75 X 11.80
	14	41/0.254	3	2.03	6.00 X 14.50
	12	65/0.254	3	2.41	7.00 X 15.40
	10	104/0.254	3	2.79	9.10 X 18.80

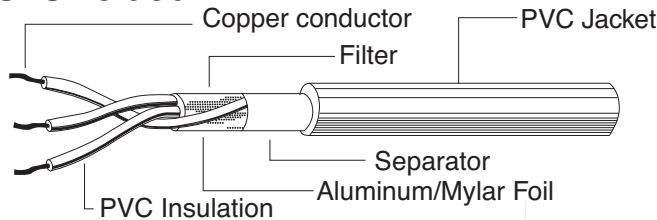
**WIRE AND CABLE DATA**

UL / CSA SVT Flexible Cord

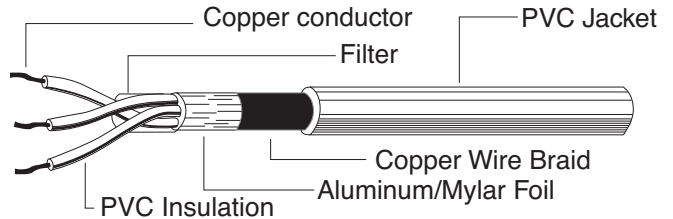
UNSHIELDED:	SHIELDED:	APPLICATION:
<ul style="list-style-type: none"> <li>- Conductor: Stranded Bare Copper</li> <li>- Insulation: Colour Coded PVC</li> <li>- Cores twisted together with fillers</li> <li>- Separator over core</li> <li>- Rated voltage: 300 volts</li> <li>- Rated temperature: 60°C ~ 105°C</li> <li>- Passes VW-1 vertical flame test</li> <li>- UL Listed and CSA certified</li> </ul>	<ul style="list-style-type: none"> <li>- Conductor: Stranded Bare Copper</li> <li>- Insulation: Colour Coded PVC</li> <li>- Cores twisted together with fillers</li> <li>- Aluminum mylar</li> <li>- Bare copper braid shield, 85% coverage</li> <li>- PVC jacket</li> <li>- Rated voltage: 300 volts</li> <li>- Rated temperature: 60°~105°C</li> <li>- Passes VW-1 vertical flame test</li> </ul>	<ul style="list-style-type: none"> <li>- Unshielded: for light-duty portable tools, mixers, office machines and vacuum cleaners</li> <li>- Shielded: for power supply cord of computers to EMI/RFI</li> </ul>

POWER CORDS

**Unshielded**



**Shielded**



UL STYLES AND CSA TYPE	CONDUCTOR		INSULATION THICKNESS (mm)	BRAID SHIELD (NO. / mm)	JACKET THICKNESS (mm)	OVERALL DIAMETER (mm)
	AWG	NO. / MM				
SVT-1 SVTO (UNSHIELDED)	18 X2C	41/0.160	0.38	--	0.76	5.80
	17 X 2C	52/0.160	0.38	--	0.76	6.40
	18 X 3C	41/0.160	0.38	--	0.76	6.30
	17 X 3C	52/0.160	0.38	--	0.76	6.80
SVT (SHIELDED)	18 X 3C	41/0.160	0.38	16/9/0.127	0.76	7.20

**Colour code:**

1. CCE: International (Live Brown, Neutral: Light Blue, Ground/Earth: Green/Yellow)
2. NA: North American (Live: Black, Neutral: White, Ground/Earth: Green)

FOR MORE INFORMATION PLEASE CALL 1-800-661-9610 (HEAD OFFICE) 1-888-762-5384 (USA)

PLEASE CONSULT THE FACTORY FOR MORE PRODUCTS AND CUSTOMIZATION.  
PRODUCT DETAILS AND SPECIFICATIONS ARE SUBJECT TO CHANGE WITHOUT NOTICE.



WIRE AND CABLE DATA

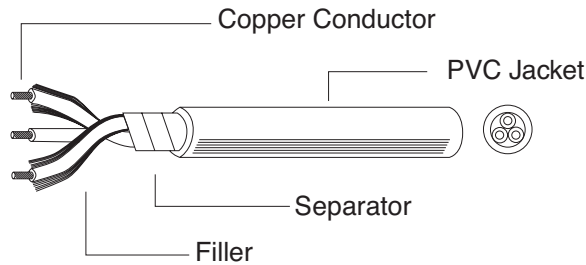
UL / CSA SJT Flexible Cord

PRODUCT DESCRIPTION:

- Conductor: Stranded Bare Copper
- Cores twisted together with fillers
- Separator over core
- Rated voltage: 300 volts
- Rated temperature: 60°C ~ 105°C
- Passes UL VW-1 vertical flame test
- UL Listed and CSA approved

APPLICATIONS:

- Unshielded for portable tools, mixers, vacuum cleaners and commercial equipment



UL STYLES AND CSA TYPE	CONDUCTOR		INSULATION THICKNESS (mm)	JACKET THICKNESS (mm)	OVERALL DIAMETER (mm)
	AWG	NO. / MM			
SJT SJTO SJTOO SJTW SJTOW SJTOOW SJTW W.R. (UNSHIELDED)	18 X 2C	41/0.160	0.76	0.76	7.30
	16 X 2C	26/0.254	0.76	0.76	8.10
	14 X 2C	41/0.160	0.76	0.76	8.70
	12 X 2C	65/0.254	0.76	1.14	9.90
	10 X 2C	104/0.320	1.14	1.52	13.70
	18 X 3C	41/0.160	0.76	0.76	7.80
	16 X 3C	26/0.254	0.76	0.76	8.50
	14 X 3C	41/0.160	0.76	0.76	9.30
	12 X 3C	65/0.254	0.76	1.14	10.50
	10 X 3C	104/0.320	1.14	1.52	14.40

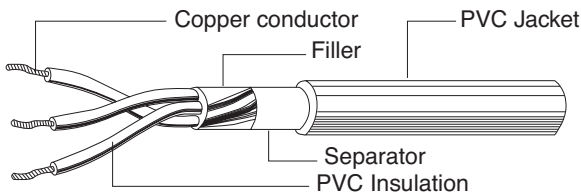
UL / CSA ST Flexible Cord

PRODUCT DESCRIPTION:

- Conductor: Stranded Bare Copper
- Insulation: Colour Coded PVC
- Cores twisted together with fillers
- Separator over core
- Rated voltage: 600 volts
- Rated temperature: 60°C ~ 105°C
- Passes UL VW-1 vertical flame test
- UL Listed and CSA approved
- UL Flexible Cord File No. E166124
- CSA Flexible Cord File No. LL106054

APPLICATIONS:

- Unshielded for portable hand tools, washing machines, polishers, sanders, vibrators, shop light, therapeutic machines, dish washers, medical equipment, and office machines.



UL STYLES AND CSA TYPE	CONDUCTOR		INSULATION THICKNESS (mm)	JACKET THICKNESS (mm)	OVERALL DIAMETER (mm)
	AWG	NO. / MM			
ST STO STOO STW STOW STOOW STW W.R. (UNSHIELDED)	18 X 2C	41/0.160	0.85	1.70	9.30
	16 X 2C	26/0.254	0.85	1.70	10.10
	14 X 2C	41/0.254	1.20	2.80	13.40
	12 X 2C	65/0.254	1.20	2.80	15.30
	10 X 2C	104/0.254	1.20	2.80	16.90
	18 X 3C	41/0.160	0.85	1.70	9.80
	16 X 3C	26/0.254	0.85	1.70	10.60
	14 X 3C	41/0.254	1.20	2.80	14.10
	12 X 3C	65/0.254	1.20	2.80	16.10
	10 X 3C	104/0.254	1.20	2.80	17.90

Colour code:

1. CCE: International (Live: Brown, Neutral: Light Blue, Ground/Earth: Green/Yellow)
2. NA: North American (Live: Black, Neutral: White, Ground/Earth: Green)



# STANDARD POWER SUPPLY CORDS

## POWER SUPPLY CORD

### Technical Information

TECHNICAL INFORMATION U.L. CORD TYPE DESIGNATION			
<b>XT</b>	Christmas Tree Thermoplastic	<b>SJOO</b>	SJO with Oil-Resistant Insulation
<b>TPT</b>	Tinsel Parallel Thermoplastic	<b>SJT</b>	Service Junior Thermoplastic
<b>TS</b>	Tinsel Service	<b>SJTO</b>	SJT with Oil-Resistant Jacket
<b>TPT</b>	Tinsel Service Thermoplastic	<b>SJTOO</b>	SJTO with Oil Resistant Insulation
<b>SPT-1</b>	Service Parallel Thermoplastic-1/64" Insulation	<b>SJE</b>	Service Junior Elastometer
<b>SPT-2</b>	Service Parallel Thermoplastic-2/64" Insulation	<b>SJEO</b>	SJE with Oil-Resistant Jacket
<b>SPT-3</b>	Service Parallel Thermoplastic-3/64" Insulation	<b>SJEOO</b>	SJEO with Oil-Resistant Insulation
<b>SPE-1</b>	Service Parallel Elastomer-1/64" Insulation	<b>S</b>	Service
<b>SPE-2</b>	Service Parallel Elastomer-1/64" Insulation	<b>SO</b>	Service with Oil-Resistant Insulation
<b>SPE-3</b>	Service Parallel Elastomer-3/64" Insulation	<b>SOO</b>	SO with Oil Resistant Insulation
<b>SV</b>	Service Vacuum	<b>ST</b>	Service Thermoplastic
<b>SVO</b>	Service Vacuum Oil-Resistant Jacket	<b>STO</b>	ST with Oil-Resistant Jacket
<b>SVOO</b>	SVO with Oil-Resistant Insulation	<b>STOO</b>	STO with Oil-Resistant Insulation
<b>SVT</b>	Service Vacuum Thermoplastic	<b>SE</b>	Service Thermoplastic
<b>SVTO</b>	Service with Oil-Resistant Jacket	<b>SEO</b>	SE with Oil-Resistant Jacket
<b>SVTOO</b>	Service with Oil-Resistant Insulation	<b>SEOO</b>	SEOO with Oil Resistant Insulation
<b>SVE</b>	Service Vacuum Elastomer	<b>HPN</b>	Heater Parallel Neoprene
<b>SVEO</b>	SVE with Oil-Resistant Jacket	<b>HSJ</b>	Heater Service Junior
<b>SVEOO</b>	SVE Oil-Resistant Insulation	<b>HSJO</b>	HSJ with Oil-Resistant Jacket
<b>SJ</b>	Service Junior	<b>HS</b>	Heater Service
<b>SJO</b>	SJ with Oil-Resistant Jacket	<b>HSO</b>	HS with Oil-Resistant Jacket

**NOTE: Service parallel types – wall thickness or integral construction includes insulation and jacket combined. Elastomer is a thermoplastic material with elastomeric properties similar to rubber.**

### Current Carrying Capacity in Amperes

AWG	TINSEL CORD	RUBBER AND PLASTIC CORDS	HEATER CORDS
27	0.5		
18		10	10
17			12
16		13	15
14		18	20
12		25	30
10		30	
8		40	
6		55	
4		70	

FOR MORE INFORMATION PLEASE CALL 1-800-661-9610 (HEAD OFFICE) 1-888-762-5384 (USA)

PLEASE CONSULT THE FACTORY FOR MORE PRODUCTS AND CUSTOMIZATION.  
PRODUCT DETAILS AND SPECIFICATIONS ARE SUBJECT TO CHANGE WITHOUT NOTICE.



# STANDARD POWER SUPPLY CORDS

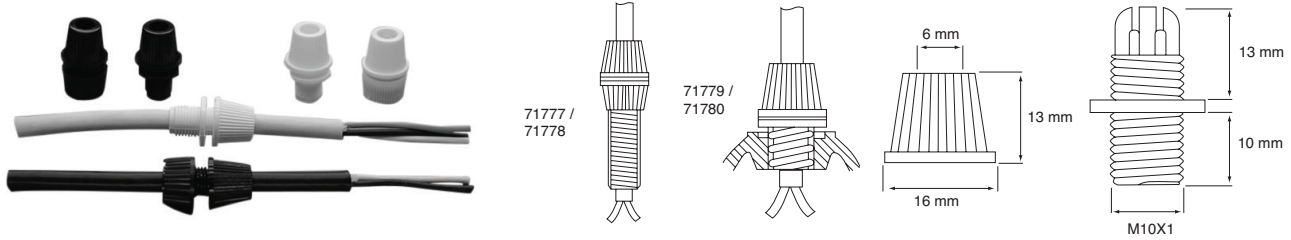
K16

## WIRING ACCESSORIES

### 717XX SERIES Two Piece Cord Strain Relief

- An excellent gripping strain relief for use on SVT 18/2 or 18/3 lamp cord
- As cap is screwed down, it compresses the fingers of the body to firmly grip into the jacket of the wire.
- Two styles are available, a male for going into a female thread and a female to go over a pipe thread.

- Available in Black or White
- Ideal for use on pendant fixtures
- Thermoplastic construction

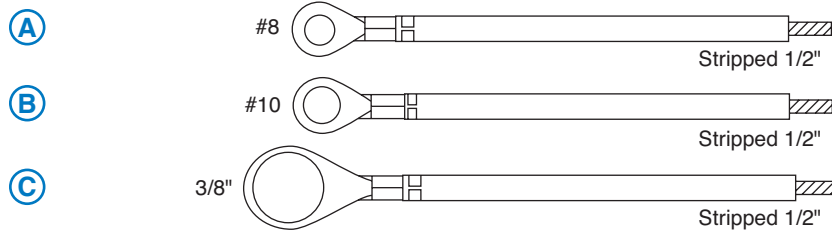


ITEM NUMBER	WIRE SIZES	BRUSHINGS	COLOUR
71777	FOR	MALE	WHITE
71778	SVT 18/2	MALE	BLACK
71779	OR	FEMALE	WHITE
71780	SVT 18/3	FEMALE	BLACK

### LEADXXXXX SERIES Ground Wire Leads

- Pre-made ground leads constructed from Green 18 AWG AWM/TEW 105°C wire, with a ring at one end and the other end stripped 1/2" in length.
- Helps reduce assembly time in production

- We can produce any wire type, length or termination that you require, please consult with our staff.



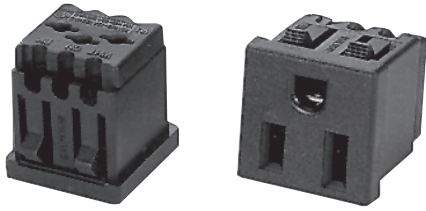
ITEM NUMBER	LENGTH	WIRE TYPE	AWG	TERMINATION		125V RATING	COLOUR	FIGURE
				RING	STRIP			
LEAD9TG#8R	9"	TEW	18	#8 RING	1/2"	10A	GREEN	A
LEAD12TG#8R	12"	TEW	18	#8 RING	1/2"	10A	GREEN	A
LEAD9TG#10R	9"	TEW	18	#10 RING	1/2"	10A	GREEN	B
LEAD12TG#10R	12"	TEW	18	#10 RING	1/2"	10A	GREEN	B
LEAD9TG3/8R	9"	TEW	18	3/8" RING (1/8"IPS)	1/2"	10A	GREEN	C
LEAD12TG3/8R	12"	TEW	18	3/8" RING (1/8"IPS)	1/2"	10A	GREEN	C

POWER CORDS

**NORTH AMERICAN SNAP-IN CONVENIENCE OUTLETS**

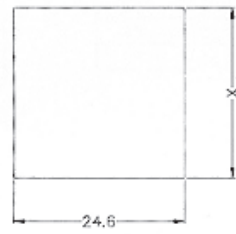
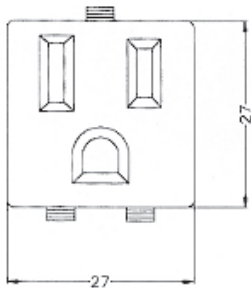
**K17**

**0710 Series** Wire Grounding - 5-15R Receptacles for "QD" Tabs or Solid Wire

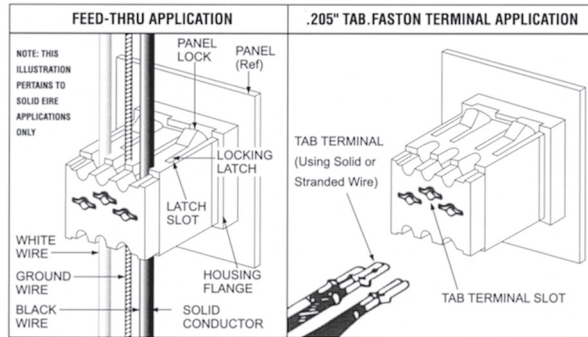
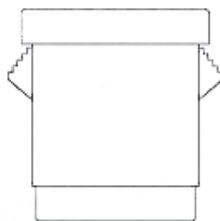
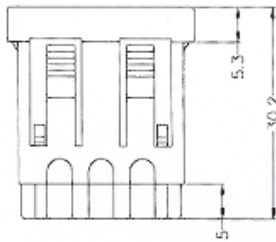


- Snap-in, NEMA5-15R receptacle.
- Three wire grounding, rated at 15 Amps/125 Volts
- Twin wireways for easy harness wiring.
- Receptacle installs on power supplies, computers, test equipment and whenever an accessory is desired or needed.
- Unique design allows for either solid or stranded wire termination (see diagram)
- Molded of type 6/6 nylon. Flammability classification 94V-0; temperature index 65°C
- Vertical mounting pins
- For international approval status, file numbers and tab connector data, on page J25

THICKNESS:  
0.8~1.2t(X=24.6)  
1.3~2.0t(X=24.8)



PANEL CUT-OUT



PART NUMBER	WIRE RANGE
0710-PV12	14-12 AWG SOLID WIRE / .205" x .032" Male Tabs
0710-PV16	18-16 AWG SOLID WIRE / .205" x .032" Male Tabs

POWER CORDS

FOR MORE INFORMATION PLEASE CALL 1-800-661-9610 (HEAD OFFICE) 1-888-762-5384 (USA)

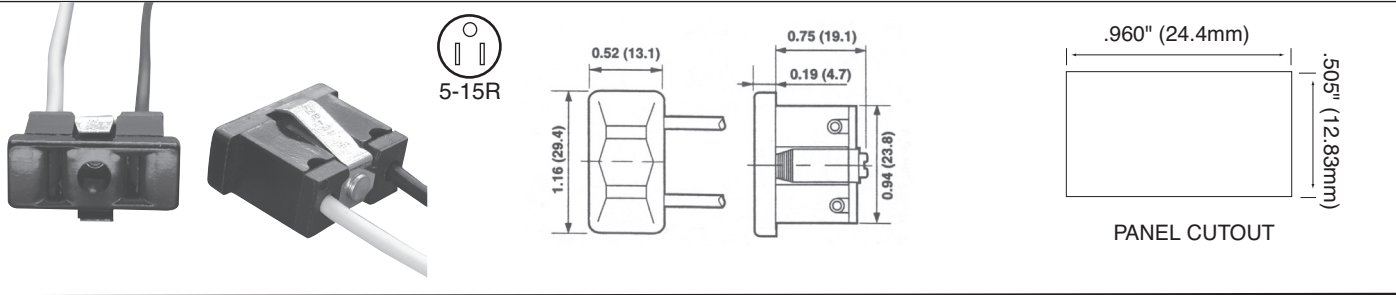
PLEASE CONSULT THE FACTORY FOR MORE PRODUCTS AND CUSTOMIZATION.  
PRODUCT DETAILS AND SPECIFICATIONS ARE SUBJECT TO CHANGE WITHOUT NOTICE.



**NORTH AMERICAN SNAP-IN CONVENIENCE OUTLETS**

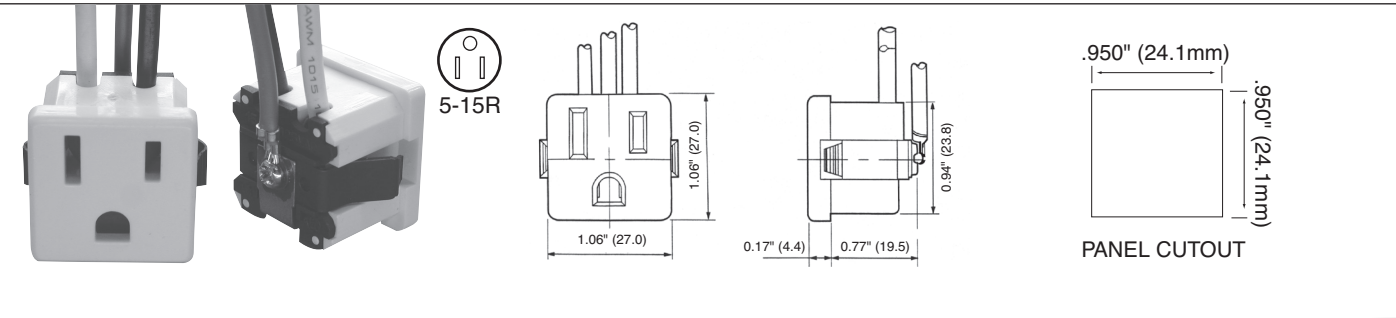
**1306-BL 1-15R 2 Wire Snap-In Phenolic Outlet Black / 1306-WH 1-15R 2 Wire Snap-In Phenolic Outlet White**

- Made from black phenolic or white area
- Designed to snap in surface mounting in fixtures, appliances and general applications.
- Tempered steel spring clips to securely hold in panel
- Standard leads are 14AWM/TEW 105°C
- Accommodates panel thickness of 0.031" to 0.062" with tight fit
- Other leads lengths and terminations are available
- Rated 15A at 125V
- UL listed and CSA approved



**1372-BL 5-15R U Ground Snap-In Receptacle Black / 1372-WH 5-15R U Ground Snap-In Receptacle White**

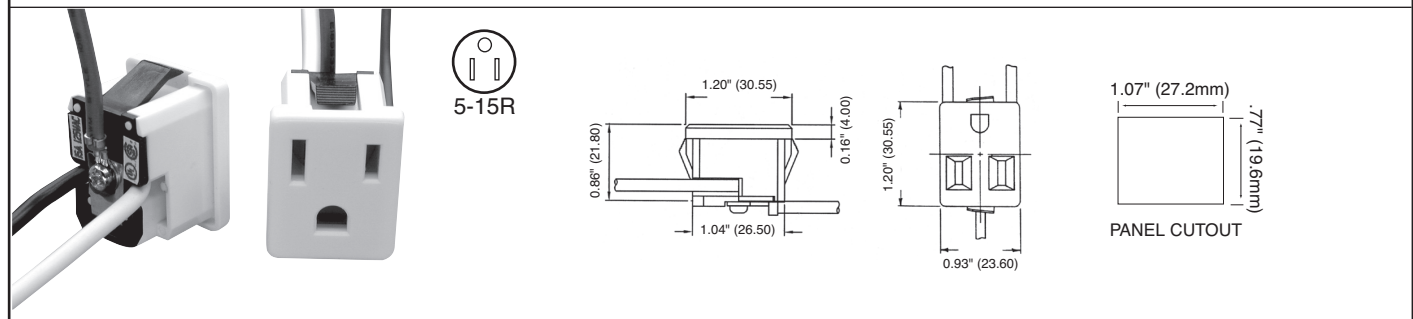
- Made from molded plastic, black or white
- Designed to snap in surface mounting in fixtures, appliances and general applications.
- Tempered steel spring clips to securely hold in panel
- Plastic clips are available, change part no. to 1372P
- Accommodates panel thickness of 0.031" to 0.062" with tight fit
- Standard leads are 14AWG 6" AWM/TEW 105°C on white and black and 16AWG 6" AWM/TEW on green All are stripped 1/2" long
- Rated 15A at 125V
- UL listed and CSA approved



**NORTH AMERICAN OUTLETS**

**CO-R3T-N1-BL Narrow 5-15RU Ground Snap-In Receptacle Black / CO-R3T-N1-WH Narrow 5-15RU Ground Snap-In Receptacle White**

- Made from molded plastic, black or white
- Designed to snap in surface panel in fixtures, appliances, and general applications
- Designed for use in narrow or shallow locations
- Accommodates panel thickness of 0.031" to 0.062" with tight fit
- Other leads lengths and terminations are available
- Tempered steel spring clips are standard. Plastic clips are available, change part number to CO-R3P-N1-BL or -WH
- Standard leads are 14AWG 6" AWM/TEW 105°C on white and black and 16AWG 6" AWM/TEW on green all are stripped 1/2" long
- Rated 15A at 125V
- UL listed and CSA approved



## SECTION L OUTLETS AND PLUGS

Heavy Duty Taps L2

---

Grounding Outlet Adapter L2



# OUTLETS AND PLUGS

**TAP, OUTLETS, ADAPTERS AND ELECTRICAL ACCESSORIES**

**IS-291-OR** 3 Outlet Heavy Duty Wall / Floor Tap Polarized 5-15R - Orange



5-15P



5-15R X 3

- Thermoplastic body
- Grounded for 3 wire 5-15P plugs
- Heavy duty construction
- Can attach to wall or be used on the end of extension cord for yardwork or construction

- Available in orange
- Rated at 15A at 125V
- cULus listed



**IS-293-BR** 6 Outlet Wall Tap 3 Wire Grounded 5-15R Brown / **IS-293-WH** White



5-15P X 2



5-15R X 6

- Thermoplastic body
- Grounded for 3 wire 5-15P plugs
- Turns duplex outlet into 6 outlet wall tap

- Available in brown and white
- Rated at 15A at 125V
- cULus listed



**PTV-020-WH** 3 Outlet Wall Tap 3 Wire Heavy Duty Grounded 5-15R - White



5-15P



5-15R X 3

- Thermoplastic body
- Grounded for 3 wire 5-15P plugs
- Turns single outlet into 3 outlet wall tap

- Available in brown and white
- Rated at 15A at 125V
- cULus listed





## SECTION M

### WIRE AND CABLE

TEW / TEWN and TR-64 Wire	M2
SPT1 / SPT2 / SEW1 AND SEW2 Wire	M3
SVT / SJT / SO AND SOOW Cords	M4
Clear Braided Multi Conductor Cable	M5



# WIRE AND CABLE

## WIRE AND CABLE

M2

### TEW / TEWN AND TR-64 WIRE

#### TEW and TEWN - Single Conductor

Hook up wire for internal wiring of appliances and lighting fixtures



PART NO.	TEW-18/16 BC	TEW-16/26-BC	TEW-14/41-BC	TEWN-18/16 BC
AWG Size	18	16	14	18
Conductor Stranding	16	26	41	1
Voltage	600V	600V	600V	600V
Temperature Rating	105°C / -20°F	105°C / -20°F	105°C / -20°F	105°C / -20°F
Nom. Insulation Thickness (in.)	0.030	0.030	0.030	0.015
Nom. O.D of Wire (in.)	0.110	0.120	0.136	0.082
Colors	see below	see below	see below	see below
Approx LBS/MFT	9 lbs <sup>2</sup>	13 lbs <sup>2</sup>	19 lbs <sup>2</sup>	7 lbs <sup>2</sup>
Ampacity	10'	13'	15'	10'
UL	Approved	Approved	Approved	Approved
CSA	Approved	Approved	Approved	Approved
Conductor Material	Bare Copper	Bare Copper	Bare Copper	Bare Copper
Insulation Material	PVC	PVC	PVC	PVC & Nylon
Available Colors - add Suffix to Part Number	- BLK - Black - WHT - White - GRN - Green - BLU - Blue - YEL - Yellow - RED - Red - BRN - Brown - PUR - Purple - GRY - Grey - ORG - Orange			
Available Spools - add Suffix to Part Number	- S75 - 75 meter spool -S300 - 300 meter spool			

All wires are also available cut to length and terminated to your requirements - Please just ask for a quotation.

<sup>1</sup>. Ampacities based on NEC Table 400.5(A) <sup>2</sup>. Actual shipping weight may vary

#### TR-64 AND CLEAR GROUND WIRE - Single Conductor

Hook up wire for internal wiring of appliances and lighting fixtures



PART NO.	TR64-18/16-TC	GOLD-GRND 18/16-BC-GRN-STR	SIL-GRND 18/16-TC-GRN-STR
AWG Size	18	18	18
Conductor Stranding	16	16	16
Voltage	300V	-	-
Temperature Rating	90°C	-	-
Nom. Insulation Thickness (in.)	0.15"	0.15"	0.15"
Nom. O.D of Wire (in.)	0.078	0.078	0.078
Colors	see below	Gold / Green Tracer	Silver / Green Tracer
Approx LBS/MFT	8 lbs <sup>2</sup>	8 lbs <sup>2</sup>	8 lbs <sup>2</sup>
Ampacity	10'	10'	10'
UL	Approved	-	-
CSA	Approved	-	-
Conductor Material	Tinned Copper	Bare Copper	Tinned Copper
Insulation Material	PVC	PVC	PVC
Available Colors - add Suffix to Part Number	- BLK - Black - WHT - White - GRN - Green - BLU - Blue - YEL - Yellow - RED - Red - BRN - Brown - PUR - Purple - GRY - Grey - ORG - Orange		
Available Spools - add Suffix to Part Number	- S75 - 75 meter spool - S300 - 300 meter spool		

All wires are also available cut to length and terminated to your requirements - Please just ask for a quotation.

<sup>1</sup>. Ampacities based on NEC Table 400.5(A) <sup>2</sup>. Actual shipping weight may vary

SEW1 / SEW2 / SPT1 AND SPT2 WIRES

SF / SEW Wire - Single Conductor

SEW wire is used for internal wiring of lighting fixtures, motors or appliances where a higher temperature rated wire (200°C) is needed.



PART NO.	SF-1 / SEW1-18/7	SF-2 / SEW2-18/7	SF-2 / SEW2-16/7	SF-2 / SEW2-14/7
AWG Size	18	18	16	14
Conductor Stranding	7	7	7	7
Voltage	300V	600V	600V	600V
Temperature Rating	200C	200C	200C	200C
Nom. Insulation Thickness (in.)	0.015"	0.030"	0.030"	0.030"
Nom. O.D of Wire (in.)	0.095"	0.123"	0.134"	0.148"
Colors	see below	see below	see below	see below
Approx LBS/MFT	8 lbs <sup>2</sup>	11 lbs <sup>2</sup>	15 lbs <sup>2</sup>	21 lbs <sup>2</sup>
Ampacity	6 <sup>1</sup>	6 <sup>1</sup>	8 <sup>1</sup>	17 <sup>1</sup>
UL	Approved	Approved	Approved	Approved
CSA	Approved	Approved	Approved	Approved
Conductor Material	Tinned Copper	Tinned Copper	Tinned Copper	Tinned Copper
Insulation Material	Silicone Rubber / Glass Braid	Silicone Rubber / Glass Braid	Silicone Rubber / Glass Braid	Silicone Rubber / Glass Braid
Available Colors - add Suffix to Part Number	- BLK - Black - WHT - White - RED - Red - GRN - Green			
Available Spools - add Suffix to Part Number	- S75 - 75 meter spool - S300 - 300 meter spool			

All wires are also available cut to length and terminated to your requirements - Please just ask for a quotation.

<sup>1</sup>. Ampacities based on NEC Table 400.5(A) <sup>2</sup>. Actual shipping weight may vary

SPT-1 and SPT-2 Cord

“Lamp Cord” is intended to be used in household appliances, including lamps, radios and fans.



PART NO.	SPT1-18/2-41BC	SPT2-18/2-41BC
AWG Size	18	18
No. of Conductors	2	2
Conductor Stranding	41	41
Voltage	300V	600V
Temperature Rating	105°C	105°C
Nom. Insulation Thickness (in.)	0.030"	0.045"
Nom. O.D of Wire (in.)	0.110" X 0.215"	0.140" X 0.360"
Colors	see below	see below
Approx LBS/MFT	17 lbs <sup>2</sup>	33 lbs <sup>2</sup>
Ampacity	10 <sup>1</sup>	10 <sup>1</sup>
UL	Approved	Approved
CSA	Approved	Approved
Conductor Material	Bare Copper / Tinned for Silver	Bare Copper / Tinned for Silver
Insulation Material	PVC	PVC
Available Colors - add Suffix to Part Number	- BLK - Black - WHT - White - GLD - Gold - SIL - Silver - BRN - Brown	
Available Spools - add Suffix to Part Number	- S75 - 75 meter spool - S300 - 300 meter spool	

All wires are also available cut to length and terminated to your requirements - Please just ask for a quotation.

<sup>1</sup>. Ampacities based on NEC Table 400.5(A) <sup>2</sup>. Actual shipping weight may vary

FOR MORE INFORMATION PLEASE CALL 1-800-661-9610 (HEAD OFFICE) 1-888-762-5384 (USA)

PLEASE CONSULT THE FACTORY FOR MORE PRODUCTS AND CUSTOMIZATION.  
PRODUCT DETAILS AND SPECIFICATIONS ARE SUBJECT TO CHANGE WITHOUT NOTICE.



SVT / SJT / SO AND SOW CORDS

SVT and SJT Cord

**SJT CORD:** SJT cord is designed for heavy power tools, equipment, portable lighting, power bars.



**SVT CORD:** "Vacuum Cleaner Cord" is intended for use on household appliances, lamps, floor care appliances, radios and fans.



PART NO.	SJT-18/2-105C	SVT-18/3-105C	SJT-18/3-105C	SJT-16/3-105C	SJT-14/3-105C
AWG Size	18	18	18	16	14
No. of Conductor	2	3	3	3	3
Conductor Stranding	16	41	16	26	41
Voltage	300V	300V	300V	300V	300V
Temperature Rating	105°C	105°C	105°C	105°C	105°C
Nom. Insulation / Jacket Thickness (in.)	0.030" / 0.030"	0.015" / 0.030"	0.030" / 0.030"	0.030" / 0.030"	0.030" / 0.030"
Nom. O.D of Wire (in.)	0.290"	0.255"	0.305"	0.330"	0.365"
Colors	see below	see below	see below	see below	see below
Approx LBS/MFT	40 lbs <sup>2</sup>	38 lbs <sup>2</sup>	52 lbs <sup>2</sup>	65 lbs <sup>2</sup>	85 lbs <sup>2</sup>
Ampacity	10 <sup>1</sup>	10 <sup>1</sup>	10 <sup>1</sup>	13 <sup>1</sup>	18 <sup>1</sup>
UL	Approved	Approved	Approved	Approved	Approved
CSA	Approved	Approved	Approved	Approved	Approved
Conductor Material	Bare Copper	Bare Copper	Bare Copper	Bare Copper	Bare Copper
Insulation Material	PVC	PVC	PVC	PVC	PVC
Jacket Material	PVC	PVC	PVC	PVC	PVC
Available Colors - add Suffix to Part Number - BLK - Black - WHT - White					
Available Spools - add Suffix to Part Number - S75 - 75 meter spool - S300 - 300 meter spool					

All wires are also available cut to length and terminated to your requirements - Please just ask for a quotation.

<sup>1</sup>. Ampacities based on NEC Table 400.5(A) <sup>2</sup>. Actual shipping weight may vary

SO and SOOW Cord

SO and SOOW Cord is intended for power tools power equipment, small motors, portable appliances and machinery. The rubber or EPR insulation feature excellent resistance to oil and moisture and offers high flexibility for indoor and outdoor use.



PART NO.	SO-18/3-90C	SO-16/3-90C	SOOW-18/3-90C	SOOW-16/3-90C	SOOW-14/3-90C
AWG Size	18	16	18	16	14
No. of Conductor	3	3	3	3	3
Conductor Stranding	16	26	16	26	41
Voltage	600V	600V	600V	600V	600V
Temperature Rating	90°C	90°C	90°C	90°C	90°C
Nom. Insulation / Jacket Thickness (in.)	0.030" / 0.060"	0.030" / 0.060"	0.030" / 0.060"	0.030" / 0.060"	0.045" / 0.080"
Nom. O.D of Wire (in.)	0.365"	0.390"	0.365"	0.390"	0.560"
Colors	see below	see below	see below	see below	see below
Approx LBS/MFT	83 lbs <sup>2</sup>	107 lbs <sup>2</sup>	80 lbs <sup>2</sup>	95 lbs <sup>2</sup>	170 lbs <sup>2</sup>
Ampacity	10 <sup>1</sup>	13 <sup>1</sup>	10 <sup>1</sup>	13 <sup>1</sup>	18 <sup>1</sup>
UL	Approved	Approved	Approved	Approved	Approved
CSA	Approved	Approved	Approved	Approved	Approved
Conductor Material	Bare Copper	Bare Copper	Bare Copper	Bare Copper	Bare Copper
Insulation Material	Rubber or EPR	Rubber or EPR	Rubber or EPR	Rubber or EPR	Rubber or EPR
Jacket Material	Rubber or EPR	Rubber or EPR	Rubber or EPR	Rubber or EPR	Rubber or EPR
Available Colors - add Suffix to Part Number - BLK - Black					
Available Spools - add Suffix to Part Number - S75 - 75 meter spool - S300 - 300 meter spool					

All wires are also available cut to length and terminated to your requirements - Please just ask for a quotation.

<sup>1</sup>. Ampacities based on NEC Table 400.5(A) <sup>2</sup>. Actual shipping weight may vary

FOR MORE INFORMATION PLEASE CALL 1-800-661-9610 (HEAD OFFICE) 1-888-762-5384 (USA)



PLEASE CONSULT THE FACTORY FOR MORE PRODUCTS AND CUSTOMIZATION. PRODUCT DETAILS AND SPECIFICATIONS ARE SUBJECT TO CHANGE WITHOUT NOTICE.

**CLEAR BRAIDED MULTI CONDUCTOR CABLE**

**Clear Braided Multi Conductor Cable**

“Clear Braided Cable” is intended for power feed on commercial and residential fixtures which are suspended from above using aircraft suspension cables. The clear insulation and braid offer a matching esthetic look to the cables.

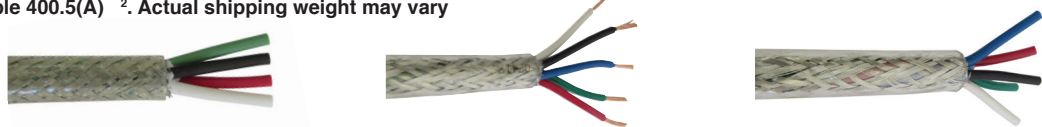


PART NO.	PC-18/3-BRAID-STR-300V	PC-18/3-BRAID-STR-600V	PC-18/4-BRAID-STR-300V	PC-18/4-BRAID-STR-600V
AWG Size	18	18	18	18
No. of Conductor	3	3	4	4
Conductor Stranding	16	16	16	16
Voltage	300V	600V	300V	600V
Temperature Rating	105°C	105°C	105°C	105°C
Nom. Insulation Thickness (in.)	0.030"	0.030"	0.030"	0.030"
Nom. O.D of Wire (in.)	0.245"	0.285"	0.265"	0.280"
Colors	Clear	Clear	Clear	Clear
Approx LBS/MFT	53 lbs <sup>2</sup>	57 lbs <sup>2</sup>	52 lbs <sup>2</sup>	57 lbs <sup>2</sup>
Ampacity	10 <sup>1</sup>	10 <sup>1</sup>	10 <sup>1</sup>	10 <sup>1</sup>
UL	Approved	Approved	Approved	Approved
CSA	Approved	Approved	Approved	Approved
Conductor Material	Bare Copper	Bare Copper	Bare Copper	Bare Copper
Braid Material	Tinned Copper	Tinned Copper	Tinned Copper	Tinned Copper
Insulation Material	PVC	PVC	PVC	PVC
Jacket Material	PVC	PVC	PVC	PVC

Available Spools - add Suffix to Part Number - S300 - 300 meter spool

All wires are also available cut to length and terminated to your requirements - Please just ask for a quotation.

<sup>1</sup>. Ampacities based on NEC Table 400.5(A) <sup>2</sup>. Actual shipping weight may vary



PART NO.	PC-18/4-BRAID-SOL-600V	PC-18/5-BRAID-STR-600V	PC-18/5-BRAID-SOL-600V
AWG Size	18	18	18
No. of Conductor	4	5	5
Conductor Stranding	1	16	1
Voltage	600V	600V	600V
Temperature Rating	105°C	105°C	105°C
Nom. Insulation Thickness (in.)	0.030"	0.030"	0.030"
Nom. O.D of Wire (in.)	0.280"	0.310"	0.310"
Colors	Clear	Clear	Clear
Approx LBS/MFT	58 lbs <sup>2</sup>	65 lbs <sup>2</sup>	65 lbs <sup>2</sup>
Ampacity	10 <sup>1</sup>	10 <sup>1</sup>	10 <sup>1</sup>
UL	Approved	Approved	Approved
CSA	Approved	Approved	Approved
Conductor Material	Bare Copper	Bare Copper	Bare Copper
Braid Material	Tinned Copper	Tinned Copper	Tinned Copper
Insulation Material	PVC	PVC	PVC
Jacket Material	PVC	PVC	PVC

Available Spools - add Suffix to Part Number - S300 - 300 meter spool

All wires are also available cut to length and terminated to your requirements - Please just ask for a quotation.

<sup>1</sup>. Ampacities based on NEC Table 400.5(A) <sup>2</sup>. Actual shipping weight may vary

**FOR MORE INFORMATION PLEASE CALL 1-800-661-9610 (HEAD OFFICE) 1-888-762-5384 (USA)**

PLEASE CONSULT THE FACTORY FOR MORE PRODUCTS AND CUSTOMIZATION.  
PRODUCT DETAILS AND SPECIFICATIONS ARE SUBJECT TO CHANGE WITHOUT NOTICE.



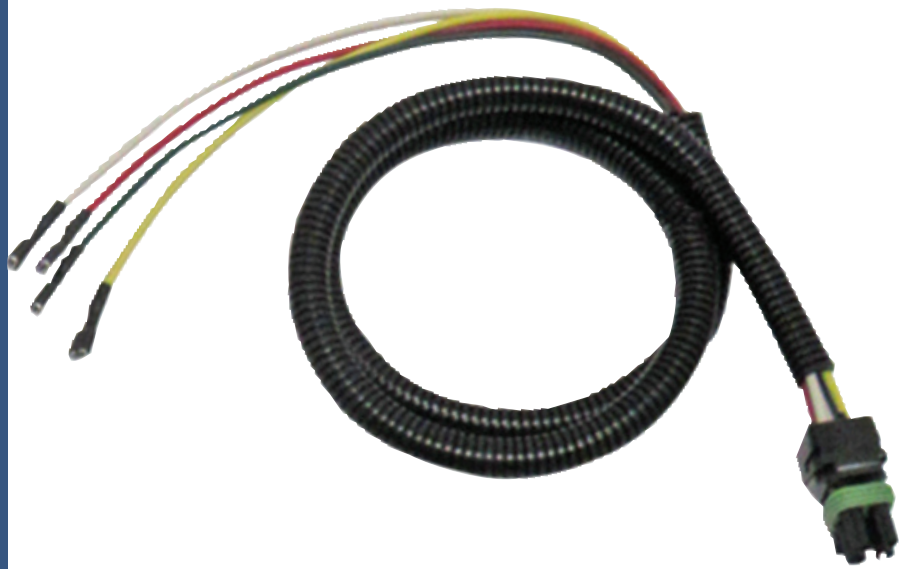
FOR

CUSTOM

ORDERS

CONSULT

FACTORY





## SECTION N SWITCHES

Rocker Switch Selector Guide	N2
Miniature Rocker Switches	N3 - N5
Rocker Switches	N6 - N12
In-Line Switches	N13 - N14
Push Button Switches	N15 - N17
Pull Chain Switches	N18
Rotary Switches	N19 - N20
Miniature Snap Action Switches	N21
Toggle Switches	N22 - N24
Toggle Switches Mounting Hardware	N24 - N25
Dimmer Switches	N26



# SWITCHES

# SWITCHES

N2

## ROCKER SWITCH SELECTOR GUIDE

### Technical Information

ELECTRICAL SPECIFICATIONS		MATERIALS	
Dielectric Strength	> 3.5K	Body	Nylon 6/6 125°C - Flame Retardant UL 94-V2
Insulation Resistance	> 50M OHMS	Rocker	Polycarbonate or Nylon 6/6 Flame Retardant
Mechanical Life	> 100,000 Operations	Terminal (Switching)	Cooper - Silver Plated or Tinned
Life at Full Load	> 10,000 Operations	Terminal (Illumin)	Copper - Tinned
Contact Resistance: Initially After 10,000 Operations	20 MILLIOHMS (MAX) 100 MILLIOHMS (MIN)	Slider (ON - OFF) Slider (C / O)	Copper Copper - Silver Plated
Inrush Current (Peak)	70A (58A for type 20)		

### Switch Number System

**ORDERING SEQUENCE:** SERIES - ACTION CODE - BODY COLOUR - BUTTON STYLE - BUTTON COLOUR - LAMP COLOUR - RATING - TERMINAL

**EXAMPLE: MR20A1BB016**

is for Mini Rocker 20, SPST, On - Off, Black Body, Black Vee Rocker, No Illumination, Rated 6A 125VAC, 0.10 X 0.032 Males Tabs

ACTION CODE	BODY COLOUR	BUTTON STYLE	BUTTON COLOUR	LAMP CODING	TERMINAL OPTIONS
A - SPST ON - OFF	1 - BLACK GLOSS	A - LENS	CLEAR TRANSPARENT	1 - 120V ILLUMINATED	1 - 6" TEW WIRE LEADS
B - SPST ON - OFF ILLUM.	2 - BROWN GLOSS	B - VEE (PLAIN)	B - BLACK OPAQUE	2 - 24/28V ILLUMINATED	
C - SPST (ON) - OFF	3 - GREY GLOSS	C - VEE HIGH (PLAIN)	C - RED TRANSPARENT	3 - 12V ILLUMINATED	
D - SPDT ON - ON	4 - BEIGE GLOSS	D - VEE (MATTE)	D - AMBER TRANSPARENT	4 - 12V LED ADD COLOUR	4 - 0.110 X 0.032 MALE TABS
E - SPDT ON - ON ILLUM. BOTH POSITION	5 - WHITE GLOSS	E - VEE LOW (PLAIN)	E - BROWN OPAQUE	5 -	5 - 0.250 X 0.032 MALE TABS
F - SPDT (ON) - ON	6 - GREY MATTE	F - VEE LOW (MATTE)	F - BLUE TRANSPARENT	6 -	6 - 0.187 X 0.032 MALE TABS
G - SPDT ON - OFF - ON	7 - BLACK MATTE	G - SCALLOP (PLAIN)	G - GREEN TRANSPARENT	7 - 240V ILLUMINATED	7 - 6/32 SCREW TERMINALS
H - SPDT (ON) - OFF - (ON)	8 - WHITE MATTE	H - SCALLOP (MATTE)	H - BEIGE OPAQUE	0 - STANDARD ILLUMINATED	8 - SOLDER LUG
I - DPST ON - OFF	9 - BROWN MATTE	I - SCALLOP	I - WHITE OPAQUE		9 - PC SOLDER PINS
J - DPST ON - OFF ILLUM.	0 - BEIGE MATTE	J - SCALLOP AMBER WINDOW	J - IVORY		
K - DPST (ON) - OFF		K - FLAT (PLAIN)	K - ARCTIC GREY		
L - DPDT ON - ON		L - 3 LEVEL FLAT	L - ALUMINIUM TURNED		
M - DPDT ON - ON ILLUM. BOTH POSITION		M - LEVER (TRANSLUCENT)	O - CHROME PLATED		
N - DPDT (ON) - ON		N - LEVER (OPAQUE)	Q - RED OPAQUE		
O - DPDT ON - OFF - ON		O - PUSH ON (LEVER)			
P - DPDT (ON) - OFF - (ON)		P - PADDLE (LEVER)			
Q - INDICATOR LIGHT		Q - ROUND			
R - DPDT OFF - ON - ON PROGRESSIVE / PROGRESSIVE		R - AUTO ROUND			
S - DPDT OFF - ON - ON PROGRESSIVE / ILLUM.					

\* Electrical Ratings - Please Check the Individual Switch for a Complete List of Ratings for each Series. Most Offer UL / CSA / VDE / SECV / SEMKO / and IMQ Listings.



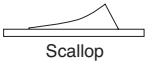
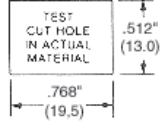
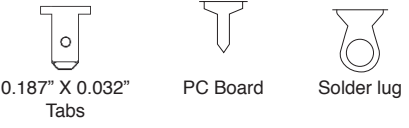
FOR MORE INFORMATION PLEASE CALL 1-800-661-9610 (HEAD OFFICE) 1-888-762-5384 (USA)

PLEASE CONSULT THE FACTORY FOR MORE PRODUCTS AND CUSTOMIZATION. PRODUCT DETAILS AND SPECIFICATIONS ARE SUBJECT TO CHANGE WITHOUT NOTICE.

SWITCHES

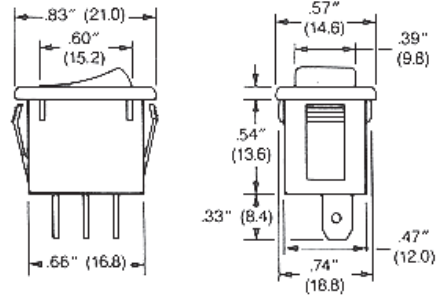
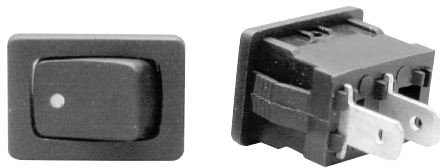
# MINIATURE ROCKER SWITCHES

## MR23 Series Subminiature Rocker Switches

BUTTON STYLE	PANEL CUT OUT	TERMINATIONS
 <p>Scallop</p>		

- Reliable, rugged, double insulated all plastic switch
- Ultra compact design for use where space is at a premium
- Front mount snap-in or PC back panel mount
- Available in many circuits, terminations and markings
- Base Material: Nylon

- Actuator Material: Thermoplastic
- Ratings: 6A 125VA / 4A 250VAC
- With slow make/slow break contact mechanism
- cURus
- International approvals available upon request



ACTION CODE	BODY CODE	BUTTON STYLE	BUTTON COLOUR	LAMP CODING	ELECTRICAL RATINGS	TERMINAL OPTIONS
A - SPST ON - OFF	1 - BLACK GLOSS	G - SCALLOP (GLOSS)	B - BLACK OPAQUE	1 - 120V ILLUM.	1-4A 250VAC UL	6 - 0.187 X 0.032 MALE TABS
B - SPST ON - OFF ILLUM.	3 - GREY GLOSS	H - SCALLOP (MATTE)	C - RED TRANSPARENT	7 - 120V ILLUM. IN BUTTON	8A 125VAC	8 - SOLDER LUG
C - SPST (ON) - OFF	5 - WHITE GLOSS	I - SCALLOP	D - AMBER TRANSPARENT	0 - STANDARD NON ILLUM.	6A 28VDC	9 - PC SOLDER PINS
D - SPDT ON - ON	6 - GREY MATTE	J - SCALLOP AMBER WINDOW	G - GREEN TRANSPARENT		16A 12VDC	
F - SPDT (ON) - ON	7 - BLACK MATTE		I - WHITE OPAQUE		4A 250VAC CSA	
G - SPDT ON - OFF - ON	8 - WHITE MATTE		Q - RED OPAQUE		8A 125VAC	
H - SPDT (ON) - OFF - (ON)					6A 28VDC	
					4A 250VAC VDE	
					4A 250VAC IMQ	
					6A 240VAC SECV	
					4A 250VAC SEMKO	

MR23 - (X) - (X) - (X) - (X) - (X) - (XX) - (X)



FOR MORE INFORMATION PLEASE CALL 1-800-661-9610 (HEAD OFFICE) 1-888-762-5384 (USA)

PLEASE CONSULT THE FACTORY FOR MORE PRODUCTS AND CUSTOMIZATION. PRODUCT DETAILS AND SPECIFICATIONS ARE SUBJECT TO CHANGE WITHOUT NOTICE.



# SWITCHES

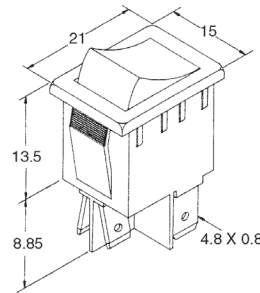
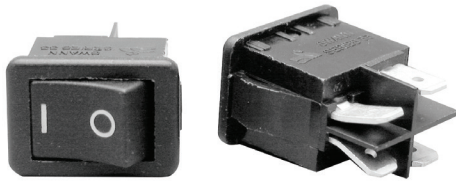
N4

## MINIATURE ROCKER SWITCHES

### MR33 Series Miniature Rocker Switches

BUTTON STYLE	PANEL CUT OUT	TERMINATIONS
 <p>Scallop</p>	<div style="border: 1px solid black; padding: 5px; width: fit-content;">                     Max. panel thickness 3.0                      Min. panel thickness 1.0                      Cut out size 19.5 x 13.2                 </div>	 <p>0.187" X 0.032" Tabs</p> <p>Solder lug</p>

- Reliable, rugged, double insulated all plastic switch
- Ultra compact design for use where space is at a premium
- Snap-in front mount in single pole, single or double throw
- Available in many circuits, terminations and markings
- Base Material: Nylon
- Actuator Material: Thermoplastic
- Ratings: 15A 125VAC / 8A 250VAC 1/2HP
- With slow make/slow break contact mechanism
- cURus
- International approvals available upon request
- Markings are available, please see legend section and add suffix for legend and colour.



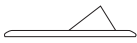

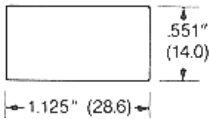

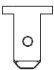


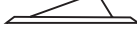

ACTION CODE	BODY CODE	BUTTON STYLE	BUTTON COLOUR	LAMP CODING	ELECTRICAL RATINGS	TERMINAL OPTIONS
A - SPST ON - OFF	7 - BLACK MATTE	H - SCALLOP (MATTE)	B - BLACK OPAQUE	1 - 120V ILLUM.	1-6A 125VAC UL	6 - 0.187 X 0.032 MALE TABS
B - SPST ON - OFF ILLUM.	8 - WHITE MATTE		C - RED TRANSPARENT	2 - 24/28V ILLUM.	8A 250VAC	8 - SOLDER LUG
I - DPST ON - OFF			D - AMBER TRANSPARENT	3 - 12V ILLUMINATED	10A 250VAC (RES)	
J - DPST ON - OFF ILLUM.			G - GREEN TRANSPARENT	7 - 120V ILLUM. IN BUTTON	16A 12VDC	
			I - WHITE OPAQUE	0 - STANDARD NON-ILLUM.	16A 125VAC CSA	
			Q - RED OPAQUE		8A 125VDC	
					10A 250VAC VDE	
					IMQ	
					SEMKO	

**MR33 - (X) - (X) - (X) - (X) - (X) - (XX) - (X)**



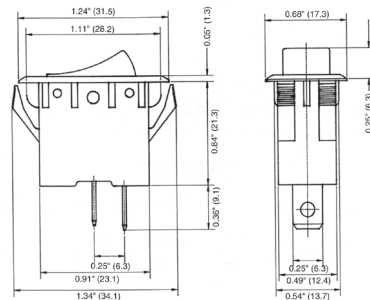
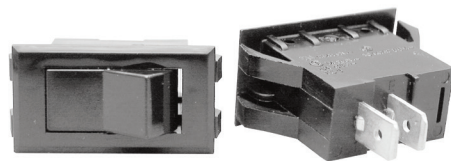
MINIATURE ROCKER SWITCHES

R43 Series Single Pole Rocker Switches

BUTTON STYLE		PANEL CUT OUT	TERMINATIONS			
						
			Wire Leads	0.250" X 0.032" Tabs	PC Board	Solder lug

- Reliable, rugged, double insulated all plastic switch
- Ultra compact design for use where space is at a premium
- Snap-in front mount in single pole, single or double throw
- Available in many circuits, terminations and markings
- Base Material: Nylon
- Actuator Material: Thermoplastic

- Ratings: 15A 125VAC / 7.5A 250VAC 1/2HP
- With slow make/slow break contact mechanism
- UL Recognized and CSA Approved
- International approvals available upon request
- Terminal Barrier option available.



ACTION CODE	BODY CODE	BUTTON STYLE	BUTTON COLOUR	LAMP CODING	ELECTRICAL RATINGS	TERMINAL OPTIONS
A - SPST ON - OFF	1 - BLACK GLOSS	A - LENS	B - BLACK OPAQUE	1 - 120V ILLUM.	1-6A 125V/250VAC UL	1 - 6" TEW WIRE LEADS
B - SPST ON - OFF ILLUM.	5 - WHITE GLOSS	C - VEE HIGH (PLAIN)	C - RED TRANSPARENT	2 - 24/28V ILLUM.	15A 125VAC	5 - 0.250 X 0.032 MALE TABS
C - SPST (ON) - OFF	6 - GREY MATTE	E - VEE LOW (PLAIN)	D - AMBER TRANSPARENT	3 - 12V ILLUM.	7.5A 250VAC	8 - SOLDER LUG
D - SPDT ON - ON	7 - BLACK MATTE	H - SCALLOP (MATTE)	G - GREEN TRANSPARENT	7 - 240V ILLUM.	3A 120VL	9 - PC SOLDER PINS
F - SPDT (ON) - ON	8 - WHITE MATTE	I - SCALLOP	I - WHITE OPAQUE	0 - STANDARD NON-ILLUM.	6A 125V/250VAC CSA	
H - SPDT (ON) - OFF - (ON)		J - SCALLOP AMBER WINDOW	K - ARCTIC GREY		15A 125VAC	
Q - INDICATOR LIGHT		K - FLAT (PLAIN)	Q - RED OPAQUE		8A 250VAC	
					.5HP 125VAC	
					10(4)A 250VAC VDE	
					12A 240VAC SECV	

R43 - (X) - (X) - (X) - (X) - (X) - (XX) - (X)

↑ ACTION MODE    ↑ BODY CODE    ↑ BUTTON STYLE    ↑ BUTTON COLOUR    ↑ LAMP CODE    ↑ ELECTRICAL RATING    ↑ TERMINAL OPTION

FOR MORE INFORMATION PLEASE CALL 1-800-661-9610 (HEAD OFFICE) 1-888-762-5384 (USA)

PLEASE CONSULT THE FACTORY FOR MORE PRODUCTS AND CUSTOMIZATION. PRODUCT DETAILS AND SPECIFICATIONS ARE SUBJECT TO CHANGE WITHOUT NOTICE.



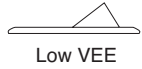
# SWITCHES

N6

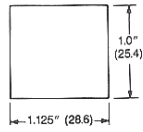
## ROCKER SWITCHES

### R54 Series Tandem Single Rocker Switches

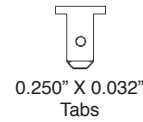
#### BUTTON STYLE



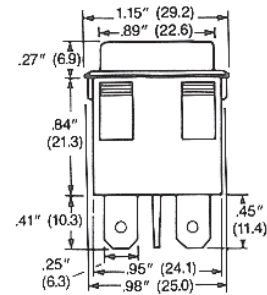
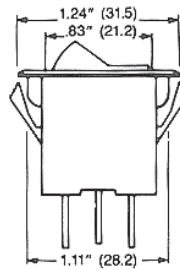
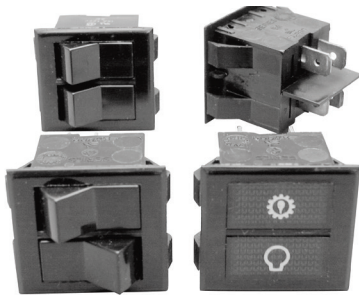
#### PANEL CUT OUT



#### TERMINATIONS



- Reliable, rugged, double insulated all plastic switch
- Design incorporates two single pole illuminated or non-illuminated switches in the same housing. Each pole can have the same or different functions.
- Available in many circuits, terminations and markings
- Base Material: Nylon
- Actuator Material: Thermoplastic
- Ratings: 15A 125VAC / 7.5A 250VAC 1/2HP
- With slow make/slow break contact mechanism
- cURus
- International approvals available upon request
- Markings are available, please see legend section and add suffix for legend and colour.



ACTION CODE	BODY CODE	BUTTON STYLE	BUTTON COLOUR	LAMP CODING	ELECTRICAL RATINGS	TERMINAL OPTIONS
A - SPST ON - OFF	1 - BLACK GLOSS	A - LENS	B - BLACK OPAQUE	1 - 120V ILLUM.	1-6A 125V/250VAC cURus	5 - 0.250 X 0.032 MALE TABS
B - SPST ON - OFF ILLUM.	5 - WHITE GLOSS	B - VEE (PLAIN)	C - RED TRANSPARENT	2 - 24/28V ILLUM.	6A 28V	
C - SPST (ON) - OFF			D - AMBER TRANSPARENT	3 - 12V ILLUM.	15A 125VAC	
D - SPDT ON - ON			G - GREEN TRANSPARENT	7 - 120V ILLUM.	7.5A 250VAC	
F - SPDT (ON) - ON			I - WHITE OPAQUE	0 - STANDARD NON-ILLUM.	12A 240VAC SECV	
Q - INDICATOR LIGHT			Q - RED OPAQUE			

**R54 - (X) - (X) - (X) - (X) - (X) - (XX) - (X)**

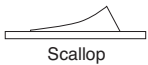
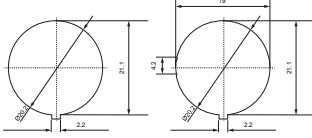





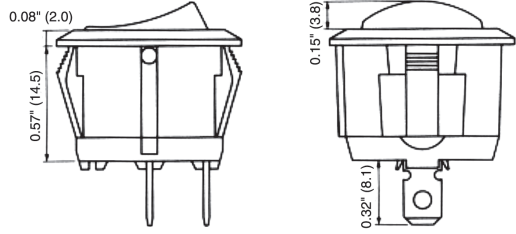
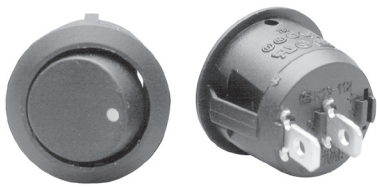
# SWITCHES

## ROCKER SWITCHES

### R112 Series Single Pole Round Rocker Switches

BUTTON STYLE	PANEL CUT OUT	TERMINATIONS
 <p>Scallop</p>		 <p>0.187" X 0.032" Tabs</p>

- Reliable, rugged, double insulated all plastic switch
- Round Euro Style compact design for enhanced appearance or where space is at a premium
- Easy snap-in front mount into a round hole, available in single pole, single or double throw
- Available in many circuits and markings
- Base Material: Nylon
- Actuator Material: Thermoplastic
- Ratings: 16A 125VAC / 10A 250VAC
- With slow make/slow break contact mechanism
- UR Recognized, VDE, TUV, F, N, D, S, CSA
- Markings are available, please see legend section and add suffix for legend and colour.



ACTION CODE	BODY CODE	BUTTON STYLE	BUTTON COLOUR	LAMP CODING	ELECTRICAL RATINGS	TERMINAL OPTIONS
A - SPST ON - OFF	7 - BLACK MATTE	H - SCALLOP (MATTE)	B - BLACK OPAQUE	1 - 120V ILLUM.	1-16A 125V/10A 250V cURus	6 - 0.187 X 0.032 MALE TABS
B - SPST ON - OFF ILLUM.	8 - WHITE MATTE	I - SCALLOP	C - RED TRANSPARENT	2 - 24/28V ILLUM.		
C - SPST (ON) - OFF			D - AMBER TRANSPARENT	3 - 12V ILLUM.		
D - SPDT ON - ON			G - GREEN TRANSPARENT	7 - 240V ILLUM.		
F - SPDT (ON)- ON			I - WHITE OPAQUE	0 - STANDARD NON-ILLUM.		
Q - INDICATOR LIGHT			Q - RED OPAQUE			

**R112 - (X) - (X) - (X) - (X) - (X) - (XX) - (X)**



FOR MORE INFORMATION PLEASE CALL 1-800-661-9610 (HEAD OFFICE) 1-888-762-5384 (USA)

PLEASE CONSULT THE FACTORY FOR MORE PRODUCTS AND CUSTOMIZATION. PRODUCT DETAILS AND SPECIFICATIONS ARE SUBJECT TO CHANGE WITHOUT NOTICE.



# SWITCHES

N8

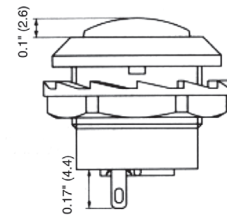
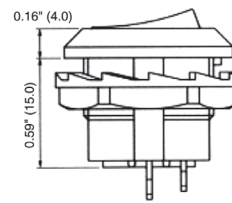
## ROCKER SWITCHES

### R130 Series Single Pole Round Rocker Switches

BUTTON STYLE	PANEL CUT OUT	TERMINATIONS
 <p>Scallop</p>		 <p>Solder lug</p>

- Reliable, rugged, double insulated all plastic switch
- Round Euro Style compact design for enhanced appearance or where space is at a premium
- Easy front mount into a round hole, with nut
- Available in many circuits and markings
- Base Material: Nylon

- Actuator Material: Thermoplastic
- Ratings: 10A 125VAC / 6A 250VAC
- With slow make/slow break contact mechanism
- CSA Approved, cURus listed.
- Markings are available, please see legend section and add suffix for legend and colour.



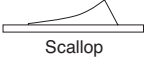
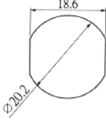

ACTION CODE	BODY CODE	BUTTON STYLE	BUTTON COLOUR	LAMP CODING	ELECTRICAL RATINGS	TERMINAL OPTIONS
A - SPST ON - OFF	7 - BLACK MATTE	A - LENS	B - BLACK OPAQUE	1 - 120V ILLUM.	8-10A 125V/6A 250VAC cURus	8 - SOLDER LUG
D - SPDT ON - ON	8 - WHITE MATTE	H - SCALLOP (MATTE)	C - RED TRANSPARENT	2 - 24/28V ILLUM.		
L - DPDT (ON) - ON			D - AMBER TRANSPARENT	3 - 12V ILLUM.		
			G - GREEN TRANSPARENT	7 - 120V ILLUM.		
			I - WHITE OPAQUE	0 - STANDARD NON-ILLUM.		
			Q - RED OPAQUE			

**R130 - (X) - (X) - (X) - (X) - (X) - (XX) - (X)**

↑ ACTION MODE    ↑ BODY CODE    ↑ BUTTON STYLE    ↑ BUTTON COLOUR    ↑ LAMP CODE    ↑ ELECTRICAL RATING    ↑ TERMINAL OPTION

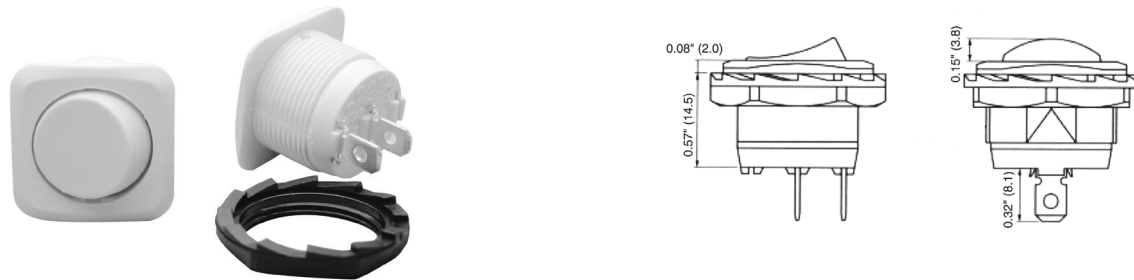
**ROCKER SWITCHES**

**R135 Series** Single Pole Rocker Switches

<p><b>BUTTON STYLE</b></p>  <p>Scallop</p>	<p><b>PANEL CUT OUT</b></p> 	<p><b>TERMINATIONS</b></p>  <p>0.187" X 0.032" Tabs</p>
---	---	--

- Reliable, rugged, double insulated all plastic switch
- Round Euro Style compact design for enhanced appearance or where space is at a premium
- Easy front mount into a round hole with nut from behind to secure into a wide range of panel thickness
- Available in many circuits and markings

- Base Material: Nylon
- Actuator Material: Thermoplastic
- Ratings: 16A 125VAC / 10A 250VAC
- With slow make/slow break contact mechanism
- UR Recognized, VDE, TUV, F, N, D, S
- Markings are available, please see legend section and add suffix for legend and colour.



ACTION CODE	BODY CODE	BUTTON STYLE	BUTTON COLOUR	LAMP CODING	ELECTRICAL RATINGS	TERMINAL OPTIONS
A - SPST ON - OFF	7 - BLACK MATTE	A - LENS	B - BLACK OPAQUE	1 - 120V ILLUM.	1-16A 125V/10A 250VAC cURus	6 - 0.187 X 0.032 MALE TABS
B - SPST ON - OFF ILLUM.	8 - WHITE MATTE	H - SCALLOP (MATTE)	C - RED TRANSPARENT	2 - 24/28V ILLUM.		
C - SPST (ON) - OFF			D - AMBER TRANSPARENT	3 - 12V ILLUM.		
D - SPDT ON - ON			G - GREEN TRANSPARENT	7 - 240V ILLUM.		
F - SPDT (ON) - ON			I - WHITE OPAQUE	0 - STANDARD NON-ILLUM.		
Q - INDICATOR LIGHT			Q - RED OPAQUE			

**R135 - (X) - (X) - (X) - (X) - (X) - (XX) - (X)**



FOR MORE INFORMATION PLEASE CALL 1-800-661-9610 (HEAD OFFICE) 1-888-762-5384 (USA)

PLEASE CONSULT THE FACTORY FOR MORE PRODUCTS AND CUSTOMIZATION. PRODUCT DETAILS AND SPECIFICATIONS ARE SUBJECT TO CHANGE WITHOUT NOTICE.



# SWITCHES

N10

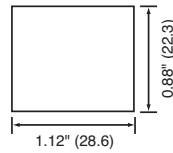
## ROCKER SWITCHES

### R51 Series Double Pole Rocker Switches

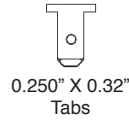
#### BUTTON STYLE



#### PANEL CUT OUT

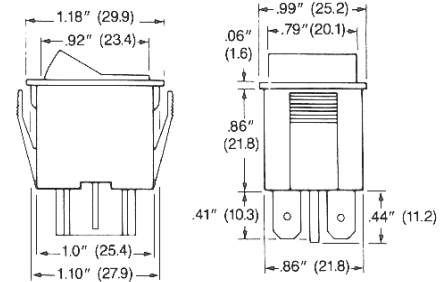
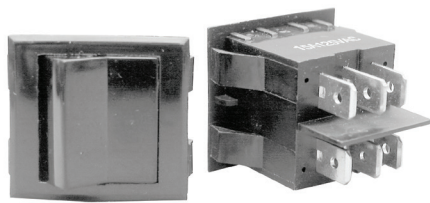


#### TERMINATIONS



- Reliable, rugged, double insulated all plastic switch
- Snap-in front mount, in double pole, single or double throw
- Available in many circuits, terminations and markings
- Base Material: Nylon
- Actuator Material: Thermoplastic
- Ratings: 15A 125VAC / 7.5A 250VAC 1/2HP

- With slow make/slow break contact mechanism
- cURus Recognized
- International approvals available upon request
- Markings are available, please see legend section and add suffix for legend and colour.



ACTION CODE	BODY CODE	BUTTON STYLE	BUTTON COLOUR	LAMP CODING	ELECTRICAL RATINGS	TERMINAL OPTIONS
A - SPST ON - OFF	7 - BLACK MATTE	H - SCALLOP (MATTE)	B - BLACK OPAQUE	1 - 120V ILLUM.	1 - 125V/250VAC cURus	5 - 0.250 X 0.032 MALE TABS
B - SPST ON - OFF ILLUM.	8 - WHITE MATTE		C - RED TRANSPARENT	2 - 24/28V ILLUM.	15A 125VAC	8 - SOLDER LUG
I - DPST ON - OFF			D - AMBER TRANSPARENT	3 - 12V ILLUM.	7.5A 250VAC	
J - DPST ON - OFF ILLUM.			G - GREEN TRANSPARENT	4 - 12V LED ADD COLOUR		
K - DPST (ON) - OFF			I - WHITE OPAQUE	7 - 240V ILLUM.		
Q - INDICATOR LIGHT			Q - RED OPAQUE	0 - STANDARD NON-ILLUM.		
L - DPDT ON - ON						
M - DPDT ON - ON ILLUM. BOTH POSITION						
N - DPDT (ON) - ON						
O - DPDT ON - OFF - ON						
P - DPDT (ON) - OFF - (ON)						


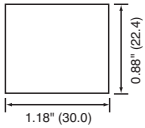

R51 - (X) - (X) - (X) - (X) - (X) - (XX) - (X)

↑ ACTION MODE    ↑ BODY CODE    ↑ BUTTON STYLE    ↑ BUTTON COLOUR    ↑ LAMP CODE    ↑ ELECTRICAL RATING    ↑ TERMINAL OPTION

# SWITCHES

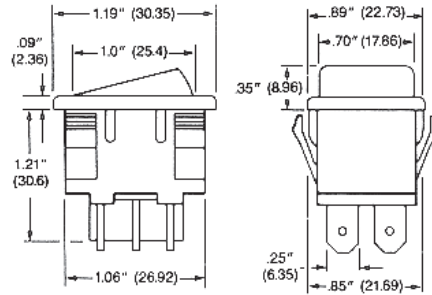
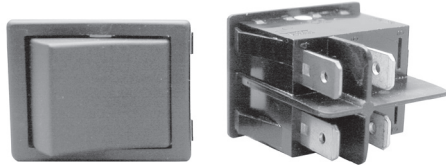
## ROCKER SWITCHES

### R52 Series Double Pole Rocker Switches

BUTTON STYLE	PANEL CUT OUT	TERMINATIONS
 <p>Flat      Scallop</p>	 <p>1.18" (30.0)      0.88" (22.4)</p>	 <p>0.250" X 0.32" Tabs</p>

- Reliable, rugged, double insulated all plastic switch
- Snap-in front mount, in double pole, single or double throw
- Available in many circuits, and markings
- Base Material: Nylon
- Actuator Material: Thermoplastic

- Ratings: 20A 125VAC / 16A 250VAC
- With slow make/slow break contact mechanism
- cURus Recognized
- International approvals available upon request
- Markings are available, please see legend section and add suffix for legend and colour.



ACTION CODE	BODY CODE	BUTTON STYLE	BUTTON COLOUR	LAMP CODING	ELECTRICAL RATINGS	TERMINAL OPTIONS
I - DPST ON - OFF	1 - BLACK GLOSS	K - FLAT	B - BLACK OPAQUE	1 - 120V ILLUM.	7-20A 125V/15A 250VAC cURus	5 - 0.250 X 0.032 MALE TABS
J - DPST ON - OFF ILLUM.	5 - WHITE GLOSS	G - SCALLOP	C - RED TRANSPARENT	7 - 240V ILLUM.		
K - DPST (ON) - OFF	7 - BLACK MATTE		D - AMBER TRANSPARENT	0 - STANDARD NON-ILLUM.		
L - DPDT ON - ON	8 - WHITE MATTE		G - GREEN TRANSPARENT			
M - DPDT ON - ON ILLUM.			I - WHITE OPAQUE			
N - DPDT (ON) - ON			Q - RED OPAQUE			

**R52 - (X) - (X) - (X) - (X) - (X) - (XX) - (X)**

↑      ↑      ↑      ↑      ↑      ↑      ↑  
 ACTION    BODY    BUTTON    BUTTON    LAMP    ELECTRICAL    TERMINAL  
 MODE      CODE    STYLE    COLOUR    CODE      RATING      OPTION

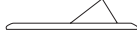
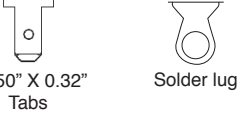
FOR MORE INFORMATION PLEASE CALL 1-800-661-9610 (HEAD OFFICE) 1-888-762-5384 (USA)

PLEASE CONSULT THE FACTORY FOR MORE PRODUCTS AND CUSTOMIZATION.  
 PRODUCT DETAILS AND SPECIFICATIONS ARE SUBJECT TO CHANGE WITHOUT NOTICE.

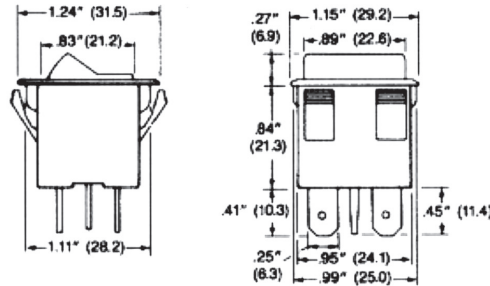
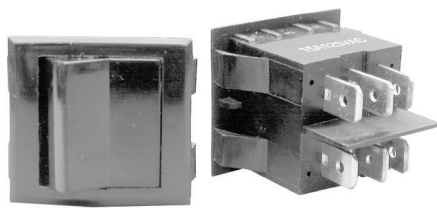


ROCKER SWITCHES

R53 Series Double Pole Rocker Switches

BUTTON STYLE	PANEL CUT OUT	TERMINATIONS
 <p>Low VEE</p>		

- Reliable, rugged, double insulated all plastic switch
- Snap-in front mount, in double pole, single or double throw
- Available in many circuits, terminations and markings
- Base Material: Nylon
- Actuator Material: Thermoplastic
- Ratings: 15A 125VAC / 8A 250VAC 1/2HP
- With slow make/slow break contact mechanism
- cURus Recognized
- International approvals available upon request
- Markings are available, please see legend section and add suffix for legend and colour.



ACTION CODE	BODY CODE	BUTTON STYLE	BUTTON COLOUR	LAMP CODING	ELECTRICAL RATINGS	TERMINAL OPTIONS
I - DPST ON - OFF	1 - BLACK GLOSS	E - Low VEE	B - BLACK OPAQUE	1 - 120V ILLUM.	1-6A 125V/4A 250VAC cURus	5 - 0.250 X 0.032 MALE TABS
J - DPST ON - OFF ILLUM.	5 - WHITE GLOSS		C - RED TRANSPARENT	3 - 12V ILLUM.	3-15A 125V/7.5A 250VAC cURus	8 - SOLDER LUG
K - DPST (ON) - OFF	7 - BLACK MATTE		D - AMBER TRANSPARENT	7 - 240V ILLUM.	.5HP 250VAC	
L - DPDT ON - ON	8 - WHITE MATTE		G - GREEN TRANSPARENT	0 - STANDARD NON-ILLUM.	5-6A 28VDC	
M - DPDT ON - ON ILLUM. BOTH POSITION			I - WHITE OPAQUE			
N - DPDT (ON) - ON			Q - RED OPAQUE			
O - DPDT ON - OFF - ON						

R53 - (X) - (X) - (X) - (X) - (X) - (XX) - (X)

↑            ↑            ↑            ↑            ↑            ↑            ↑

ACTION    BODY    BUTTON    BUTTON    LAMP    ELECTRICAL    TERMINAL  
MODE    CODE    STYLE    COLOUR    CODE    RATING    OPTION

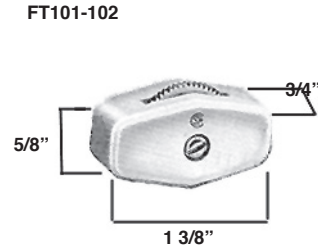
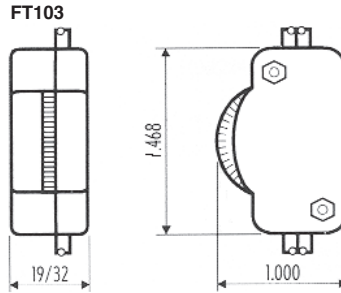


# SWITCHES

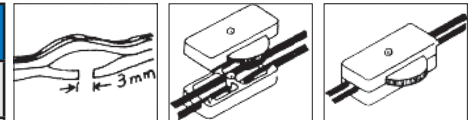
## IN-LINE SWITCHES

### FT101/102/103 Single Pole ON / OFF In-Line Feed-Thru Switches

- Mini Feed-Thru switch in molded plastic housing
- Wheel has serrated outer edge for easy action
- Spring brass contacts with insulation piercing terminals, no stripping of conductors required
- Pins make contact automatically
- Ideal for small appliances and lamps
- Ratings: 3A 250VAC / 6A 125VAC
- With slow make/slow break contact mechanism
- UR Recognized and CSA Approved
- Also available unassembled. Add suffix -UN to part number, eg: FT101-WH-UN



POLES / THROW	CIRCUIT ARRANGEMENT	FOR WIRE SIZE	COLOUR		
			BLACK	WHITE	BROWN
SPST	ON OFF	SPT-1 18/2	FT101-BL	FT101-WH	FT101-BR
SPST	ON OFF	SPT-2 18/2	FT102-BL	FT102-WH	FT102-BR
SPST	LOW HIGH OFF	SPT-1 18/2	FT103-BL	FT103-WH	



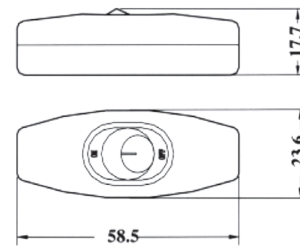
Split cord, cut Non-identified conductor 3mm only

Place cord in half with outwheel. Press halves together, note that points pierce insulation to make contact with copper inside cut cord

Replace nut into switch and tighten screw until secure

### FT104 / FT105 Euro Style Rocker Feed-Thru Switches

- Sleek Euro styling to improve from old design switches.
- Reliable, rugged, double insulated all plastic switch.
- Spring brass contacts with insulation piercing terminals, no stripping of conductors required
- Pins make contact automatically
- Rated at 3A-120VAC.
- cURus recognized.



POLES / THROW	CIRCUIT ARRANGEMENT	FOR WIRE SIZE	COLOUR	
			BLACK	WHITE
SPST	ON OFF	SPT-1 18/2	FT104-BL	FT104-WH
SPST	ON OFF	SPT-2 18/2	FT105-BL	FT105-WH

FOR MORE INFORMATION PLEASE CALL 1-800-661-9610 (HEAD OFFICE) 1-888-762-5384 (USA)

PLEASE CONSULT THE FACTORY FOR MORE PRODUCTS AND CUSTOMIZATION. PRODUCT DETAILS AND SPECIFICATIONS ARE SUBJECT TO CHANGE WITHOUT NOTICE.



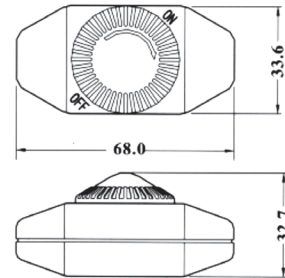
## SWITCHES

N14

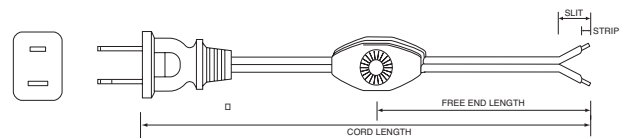
### IN-LINE SWITCHES

#### FT106 Full Range Rotary Feed-Thru Dimmer Switch

- Full range rotary dimmer with On-Off switch
- Reliable, rugged, double insulated plastic housing
- For SPT-2 18/2 wire.
- Rated 150W - 120VAC
- cURus



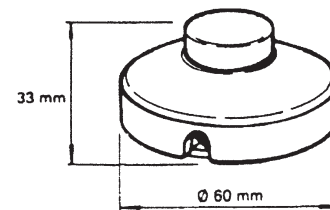
POLES / THROW	CIRCUIT ARRANGEMENT	FOR WIRE SIZE	COLOUR	
			BLACK	WHITE
SPST	ON OFF	SPT-2 18/2	FT106-BL	FT106-WH



**ORDERING GUIDE:** Cord Length / Color From Free End + Position of Switch From Free End + Slit Length + Strip Length + Cord Prep  
**CORD WITH SWITCH** is PCBL6SPTISW24.switch is 24"

#### FT555 In-Line Push ON / OFF Foot Switch

- Rugged, stylish all plastic foot switch
- Push On – Push Off operation
- For use on SPT-1 or SPT-2 18/2 or 16/2 AWG wire
- Screw terminal for easy wiring
- Ratings: 3A 125VAC / 3A 125 VT
- UR Recognized and CSA Approved

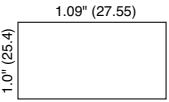



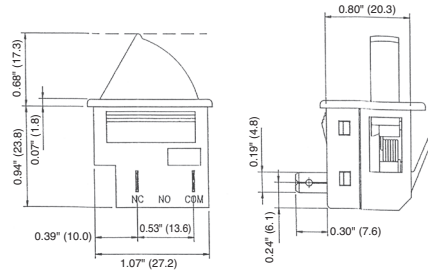
POLES / THROW	CIRCUIT ARRANGEMENT	FOR WIRE SIZE	COLOUR	
			BLACK	WHITE
SPST	ON OFF	SPT-1 18/2 or 16/2 SPT-2 18/2 or 16/2	FT555-BL	FT555-WH

# SWITCHES

## PUSH BUTTON SWITCHES

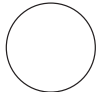

### PB60 Series Fridge Push Button Switch

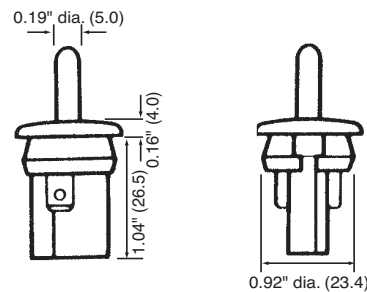
<p><b>PANEL CUT OUT</b></p>  <p>1.09" (27.55)</p> <p>1.0" (25.4)</p>	<p><b>TERMINATIONS</b></p>  <p>0.187" X 0.032" Tabs</p>	<ul style="list-style-type: none"> <li>- Reliable, rugged switch used in refrigerator door applications</li> <li>- Snap fit into 25.4 mm x 27.55 mm hole</li> <li>- Base Material: White Thermoplastic</li> <li>- Push button: white thermoplastic</li> </ul> <ul style="list-style-type: none"> <li>- Require 3 mm minimum button stroke to ensure proper switch action</li> <li>- standard force 230 gf</li> <li>- Ratings: 4A 240VAC / 8A 125VAC</li> <li>- cURus</li> </ul>
---	--	---



PART NO.	POLES / THROW	CIRCUIT ARRANGEMENT	COLOUR	RATINGS NORMAL: OFF
PB60A	SPST	(OFF) - ON	WHITE	8A 125VAC 4A 240VAC
PB60B	SPDT	(ON) - ON	WHITE	
PB60C	SPST	(ON) - OFF	WHITE	

### PB61 Series Fridge Push Button Switch

<p><b>PANEL CUT OUT</b></p>  <p>0.75" (19mm) diameter hole</p>	<p><b>TERMINATIONS</b></p>  <p>0.250" X 0.032" Tabs</p>	<ul style="list-style-type: none"> <li>- Reliable, rugged switch used in refrigerator door applications</li> <li>- Snap fit into 19 mm hole</li> <li>- Base Material: White Thermoplastic</li> </ul> <ul style="list-style-type: none"> <li>- Push button: white thermoplastic</li> <li>- require 3 mm minimum button stroke to ensure proper switch action</li> <li>- Ratings: 0.25A 250VAC / 0.5A 125VAC</li> <li>- cURus Recognized</li> </ul>
---	--	---



POLES / THROW	CIRCUIT ARRANGEMENT	COLOUR	RATINGS NORMAL: OFF
PB61	DOOR OPEN - ON	WHITE	0.25A 250VAC
	DOOR CLOSED - OFF		0.5A 125VAC

FOR MORE INFORMATION PLEASE CALL 1-800-661-9610 (HEAD OFFICE) 1-888-762-5384 (USA)

PLEASE CONSULT THE FACTORY FOR MORE PRODUCTS AND CUSTOMIZATION.  
PRODUCT DETAILS AND SPECIFICATIONS ARE SUBJECT TO CHANGE WITHOUT NOTICE.





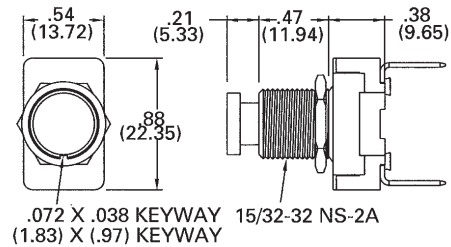
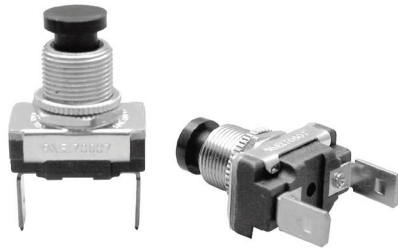
# SWITCHES

N16

## PUSH BUTTON SWITCHES

### PB18650 Series Push Button Switch

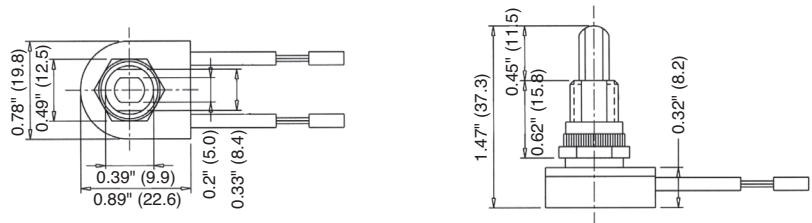
<p><b>PANEL CUT OUT</b></p>  <p>Designed to fit into 0.2" (5.0mm) diameter</p>	<p><b>TERMINATIONS</b></p>  <p>0.187" X 0.032" Tabs 6/32" Screws</p>	<ul style="list-style-type: none"> <li>- Rugged heavy duty push button switch used in horn or test button applications</li> <li>- Mounts into a 0.500" diameter hole with or without keyway</li> <li>- Frame is steel with zinc chromate plating</li> <li>- Case is Black nylon</li> <li>- Terminals are Brass</li> <li>- UL and CSA Approved</li> </ul>
---	---	--



POLES / THROW	CIRCUIT ARRANGEMENT	BUTTON COLOUR ADD SUFFIX	RATINGS NORMAL: OFF	TERMINATIONS	
				0.250" X 0.32" MALE TABS	6/32" SCREWS
SPST	NORMALLY ON, MOMENTARY CONTACT	BL - BLACK	3A 250VAC	PB18651C-XX	PB18671C-XX
SPST	NORMALLY OFF, MOMENTARY CONTACT	WH - WHITE	6A 125VAC	PB186500-XX	PB186700-XX
		RD - RED	1.5A 277V		
			3A 120VAC		

### PB107 Series Single Circuit On - Off Push Button Switches

<p><b>PANEL CUT OUT</b></p>  <p>0.33" (8.4mm) across flats 0.393" (10mm) hole</p>	<p><b>TERMINATIONS</b></p>  <p>6" Leads</p>	<ul style="list-style-type: none"> <li>- Compact, reliable, rugged switch suitable for most industrial applications</li> <li>- Dielectric Strength: 1,000V Meg (Minimum)</li> <li>- Insulation Resistance: 100 Meg Ohms</li> <li>- Base Material: Black Phenolic</li> <li>- Ratings: 3A 250VAC / 6A 120VAC</li> <li>- UR Recognized and CSA Approved</li> <li>- Switches must be installed with a hex nut behind panel to prevent damage during installation.</li> </ul>
--	--	--

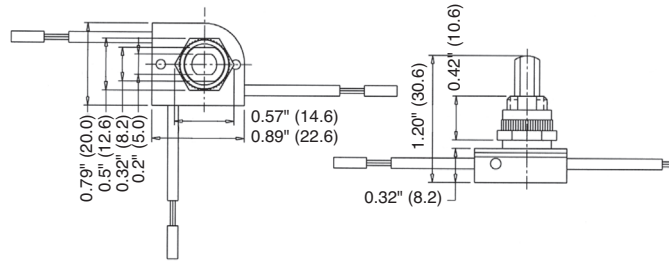
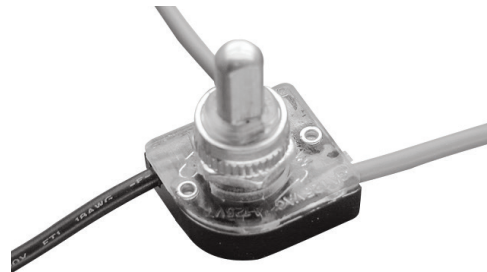


POLES / THROW	CIRCUIT ARRANGEMENT	NIPPLE MATERIAL	NIPPLE LENGTH	RATINGS	PUSH BUTTON MATERIAL	ITEM NO.	COLOUR ADD SUFFIX
SPST	ON - OFF	POLYCARBONATE	3/8"	3A 250VAC	POLYCARBONATE	PB107-X	B - BRASS
SPST	ON - OFF	POLYCARBONATE	5/8"	6A 125VAC	BRASS	PB107-1X	N - NICKEL
SPST	ON - OFF	BRASS	1 - 1/8"	1A 125VT	BRASS	PB107-3M-X	
SPST	ON - OFF	BRASS	5/8"	6A 125VAC	BRASS	PB107-1M-X	

**PUSH BUTTON SWITCHES**

**PB117 Series** Two Circuit Four Position Push Button Switches

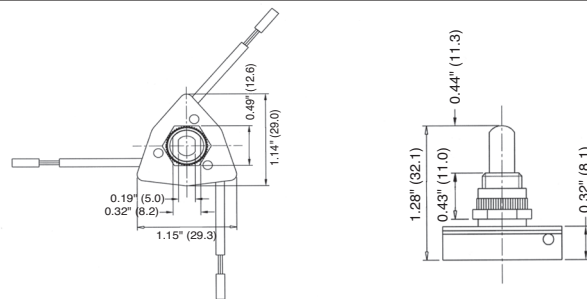
<b>PANEL CUT OUT</b> 	<b>TERMINATIONS</b> 	<ul style="list-style-type: none"> <li>- Compact, reliable, rugged switch suitable for most industrial applications</li> <li>- Dielectric Strength: 1,000V Meg (Minimum)</li> <li>- Insulation Resistance: 100 Meg Ohms</li> <li>- Base Material: Black Phenolic</li> </ul> <ul style="list-style-type: none"> <li>- Ratings: 3A 250VAC / 6A 120VAC</li> <li>- cURus</li> <li>- Switches must be installed with a hex nut behind panel to prevent damage during installation</li> </ul>
--------------------------	-------------------------	---



POLES / THROW	CIRCUIT ARRANGEMENT	NIPPLE MATERIAL	NIPPLE LENGTH	RATINGS	PUSH BUTTON MATERIAL	ITEM NO.	COLOUR ADD SUFFIX
SPST	L1 - L2 - L1 + L2 - OFF	POLYCARBONATE	3/8"	3A 250VAC	POLYCARBONATE	PB117-X	
SPST	L1 - L2 - L1 + L2 - OFF	POLYCARBONATE	5/8"	6A 125VAC	BRASS	PB117-1X	B - BRASS
SPST	L1 - L2 - L1 + L2 - OFF	BRASS	5/8"	6A 125VAC	BRASS	PB117-1M-X	
SPST	L1 - L2 - L1 + L2 - OFF	BRASS	1 - 1/8"	1A 125VT	BRASS	PB117-3M-X	N - NICKEL

**PB157 Series** Two Circuit Three Position Push Button Switches

<b>PANEL CUT OUT</b> 	<b>TERMINATIONS</b> 	<ul style="list-style-type: none"> <li>- Compact, reliable, rugged switch suitable for most industrial applications</li> <li>- Dielectric Strength: 1,000V Meg (Minimum)</li> <li>- Insulation Resistance: 100 Meg Ohms</li> <li>- Base Material: Black Phenolic</li> </ul> <ul style="list-style-type: none"> <li>- Ratings: 3A 250VAC / 6A 120VAC</li> <li>- cURus</li> <li>- Switches must be installed with a hex nut behind panel to prevent damage during installation</li> </ul>
--------------------------	-------------------------	---



POLES / THROW	CIRCUIT ARRANGEMENT	NIPPLE MATERIAL	NIPPLE LENGTH	RATINGS	PUSH BUTTON MATERIAL	ITEM NO.	COLOUR ADD SUFFIX
SPST	L1 - L2 - OFF	POLYCARBONATE	3/8"	3A 250VAC	POLYCARBONATE	PB157-X	B - BRASS
SPST	L1 - L2 - OFF	BRASS	5/8"	6A 125VAC	BRASS	PB157-1X	N - NICKEL
SPST	HI - LO - OFF W/ DIODE	BRASS	5/8"	6A 125VL	BRASS	PB157-1-DMX	
				1A 125VT			

FOR MORE INFORMATION PLEASE CALL 1-800-661-9610 (HEAD OFFICE) 1-888-762-5384 (USA)

PLEASE CONSULT THE FACTORY FOR MORE PRODUCTS AND CUSTOMIZATION. PRODUCT DETAILS AND SPECIFICATIONS ARE SUBJECT TO CHANGE WITHOUT NOTICE.



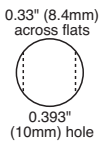
# SWITCHES

N18

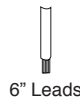
## PULL CHAIN SWITCHES

### PC109 Series Single Circuit Pull Chain Switches

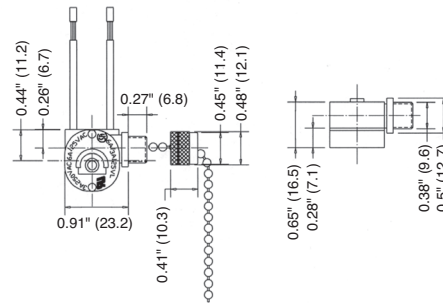
#### PANEL CUT OUT



#### TERMINATIONS



- Compact, reliable, rugged switch suitable for most industrial applications
- Dielectric Strength: 1,000V Meg (Minimum)
- Insulation Resistance: 100 Meg Ohms
- Base Material: Black Phenolic
- Ratings: 3A 250VAC / 6A 120VAC
- cURus
- Switches must be installed with a hex nut behind panel to prevent damage during installation. Can be supplied with a 36\" pull cord, order part number PC36.



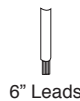
POLES / THROW	CIRCUIT ARRANGEMENT	NIPPLE MATERIAL	NIPPLE LENGTH	RATINGS	PULL CHAIN LENGTH	ITEM NO.	COLOUR ADD SUFFIX
SPST	ON - OFF	POLYCARBONATE	19/64"	3A 250VAC	2 - 1/2"	PC109-X	B - BRASS
SPST	ON - OFF	POLYCARBONATE	3/8"	6A 125VAC	2 - 1/2"	PC109-1-X	N - NICKEL
				6A 125VL			
				1A 125VT			

### PC110 Series Two Circuit Four Position Pull Chain Switches

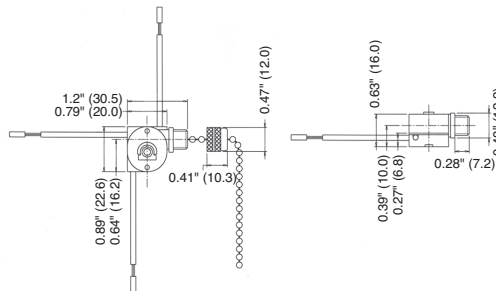
#### PANEL CUT OUT



#### TERMINATIONS



- Compact, reliable, rugged switch suitable for most industrial applications
- Dielectric Strength: 1,000V Meg (Minimum)
- Insulation Resistance: 100 Meg Ohms
- Base Material: Black Phenolic
- Ratings: 3A 250VAC / 6A 120VAC
- cURus
- Switches must be installed with a hex nut behind panel to prevent damage during installation. Can be supplied with a 36\" pull cord, order part number PC36.





POLES / THROW	CIRCUIT ARRANGEMENT	NIPPLE MATERIAL	NIPPLE LENGTH	RATINGS	ITEM NO.	COLOUR ADD SUFFIX
SPST	L1 - L2 - L1 + L2 - OFF	POLYCARBONATE	19/64"	3A 250VAC	PC110-X	B - BRASS
SPST	L1 - L2 - L1 + L2 - OFF	POLYCARBONATE	3/8"	6A 125VAC	PC110-1-X	N - NICKEL
				6A 125VL		
				1A 125VT		

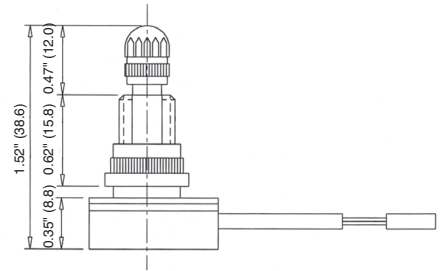
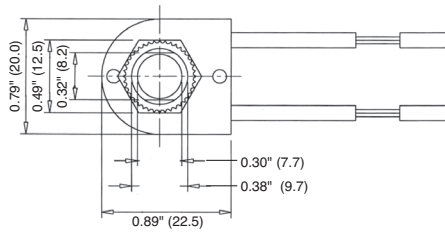


# SWITCHES

## ROTARY SWITCHES

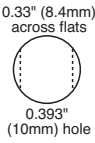
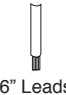
### RS106 Series Single Circuit On - Off Rotary Switches

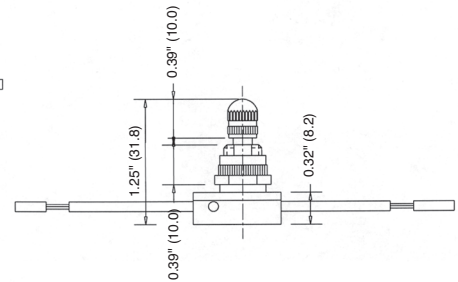
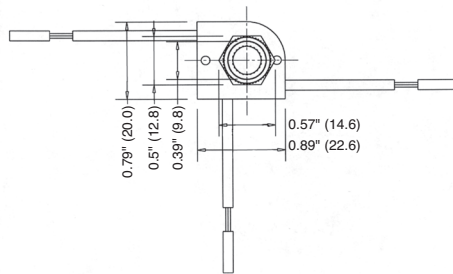
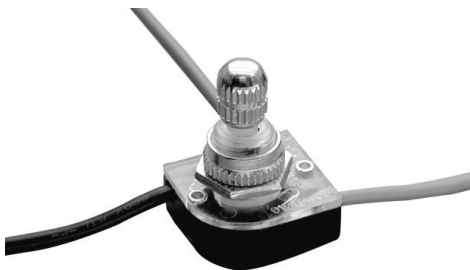
<b>PANEL CUT OUT</b> 	<b>TERMINATIONS</b>  6" Leads	<ul style="list-style-type: none"> <li>- Compact, reliable, rugged switch suitable for most industrial applications</li> <li>- Dielectric Strength: 1,000V Meg (Minimum)</li> <li>- Insulation Resistance: 100 Meg Ohms</li> <li>- Base Material: Black Phenolic</li> </ul> <ul style="list-style-type: none"> <li>- Ratings: 3A 250VAC / 6A 125VAC</li> <li>- cURus</li> <li>- Switches must be installed with a hex nut behind panel to prevent damage during installation.</li> </ul>
---	--	--



POLES / THROW	CIRCUIT ARRANGEMENT	NIPPLE MATERIAL	NIPPLE LENGTH	RATINGS	ITEM NO.	KNOB COLOUR
SPST	ON - OFF	POLYCARBONATE	3/8"	6A 125VAC	RS106-B	BRASS
SPST	ON - OFF	POLYCARBONATE	3/8"	6A 125VAC	RS106-N	NICKEL
SPST	ON - OFF	BRASS	5/8"	6A 125VAC	RS106-MB	BRASS
SPST	ON - OFF	NICKEL	5/8"	6A 125VAC	RS106-1-MN	NICKEL

### RS116 Series Two Circuit Four Position Rotary Switches

<b>PANEL CUT OUT</b> 	<b>TERMINATIONS</b>  6" Leads	<ul style="list-style-type: none"> <li>- Compact, reliable, rugged switch suitable for most industrial applications</li> <li>- Dielectric Strength: 1,000V Meg (Minimum)</li> <li>- Insulation Resistance: 100 Meg Ohms</li> <li>- Base Material: Black Phenolic</li> </ul> <ul style="list-style-type: none"> <li>- Ratings: 3A 250VAC / 6A 125VAC</li> <li>- cURus</li> <li>- Switches must be installed with a hex nut behind panel to prevent damage during installation.</li> </ul>
---	--	--



POLES / THROW	CIRCUIT ARRANGEMENT	NIPPLE MATERIAL	NIPPLE LENGTH	RATINGS	ITEM NO.	KNOB COLOUR
SPST	L1 - L2 - L1 + L2 -OFF	POLYCARBONATE	5/8"	6A 125VAC	RS116-B	BRASS
SPST	L1 - L2 - L1 + L2 -OFF	POLYCARBONATE	5/8"	6A 125VAC	RS116-1-N	NICKEL
SPST	L1 - L2 - L1 + L2 -OFF	BRASS	3/8"	6A 125VAC	RS116-MB	BRASS
SPST	L1 - L2 - L1 + L2 -OFF	BRASS	5/8"	6A 125VAC	RS116-1-MB	BRASS
SPST	L1 - L2 - L1 + L2 -OFF	NICKEL	3/8"	6A 125VAC	RS116-MN	NICKEL
SPST	L1 - L2 - L1 + L2 -OFF	NICKEL	5/8"	6A 125VAC	RS116-1-MN	NICKEL

FOR MORE INFORMATION PLEASE CALL 1-800-661-9610 (HEAD OFFICE) 1-888-762-5384 (USA)

PLEASE CONSULT THE FACTORY FOR MORE PRODUCTS AND CUSTOMIZATION.  
 PRODUCT DETAILS AND SPECIFICATIONS ARE SUBJECT TO CHANGE WITHOUT NOTICE.



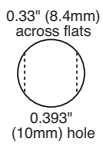
# SWITCHES

N20

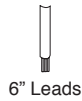
## ROTARY SWITCHES

### RS156 Series Two Circuit Three Position Rotary Switches

#### PANEL CUT OUT

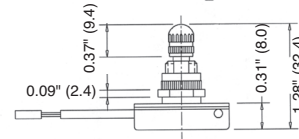
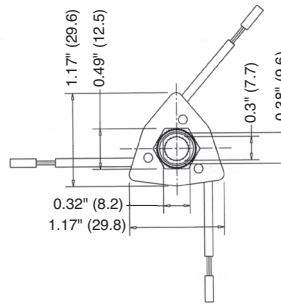


#### TERMINATIONS



- Compact, reliable, rugged switch suitable for most industrial applications
- Dielectric Strength: 1,000V Meg (Minimum)
- Insulation Resistance: 100 Meg Ohms
- Base Material: Black Phenolic

- Ratings: 3A 250VAC / 6A 125VAC
- cURus
- Switches must be installed with a hex nut behind panel to prevent damage during installation.



POLES / THROW	CIRCUIT ARRANGEMENT	NIPPLE MATERIAL	NIPPLE LENGTH	RATINGS	ITEM NO.	COLOUR KNOB
SPST	L1 - L2 - OFF	POLYCARBONATE	3/8"	6A 125VAC	RS156-B	BRASS
SPST	L1 - L2 - OFF	POLYCARBONATE	3/8"	6A 125VAC	RS156-N	NICKEL
SPST	L1 - L2 - OFF	BRASS	3/8"	6A 125VAC	RS156-MB	BRASS
SPST	HI - LO - OFF W/ DIODE	BRASS	3/8"	6A 125VAC	RS156-D-MB	BRASS
SPST	HI - LO - OFF W/ DIODE	POLYCARBONATE	3/8"	6A 125VAC	RS156-D-B	BRASS

SWITCHES

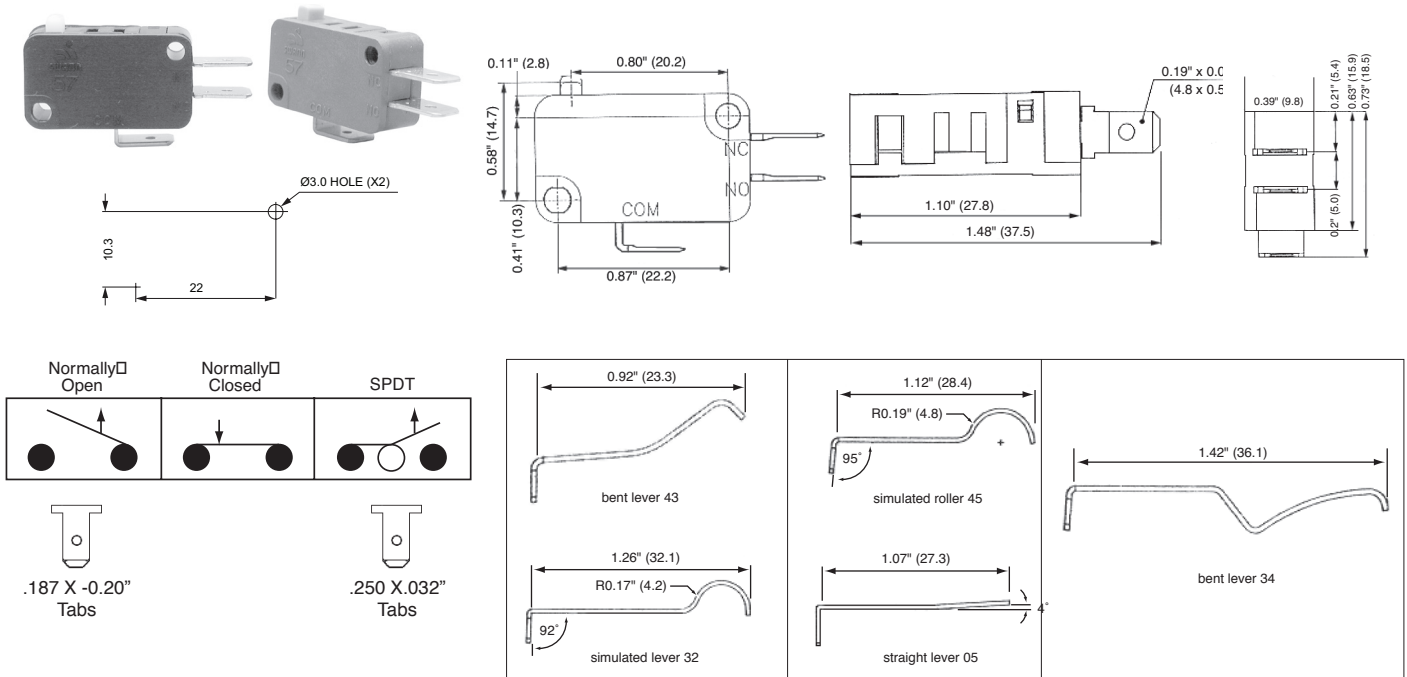
# SWITCHES

## MINIATURE SNAP ACTION SWITCHES

### SA57 Series Miniature Snap Action Switches

- Widely used standard miniature micro switches
- Compact design for use where space is at a premium
- Single pole, single throw or double throw
- Available in standard and light force mechanisms
- Available in many actuator styles and two terminal styles
- Rugged thermoset body with slotted holes for mounting

- Many special forms and lengths of actuators are available
- Ratings: 15A 125VAC / 7.5A 250 VAC
- M10(3)A VDE
- 15A 250VAC SECV
- cURus
- International approvals available upon request



ACTION CODE	BODY COLOUR	OPERATING FORCE	LEVER TYPE	TERMINAL OPTIONS
0 - SPST NORMALLY OPEN	B - BROWN (STANDARD)	0 - STANDARD	00 - PIN LUNGER, NO LEVER	3 - .187" X .20" MALE TABS
1 - SPST NORMALLY CLOSED	L - BLACK	1 - LIGHT	03 - STRAIGHT 45.6 MM	5 - .250" X .032" MALE TABS
2 - SPDT			05 - STRAIGHT 27.7 MM	
			06 - STRAIGHT 20.5 MM	
			12 - STRAIGHT 60.3 MM	
			13 - BENT LEVER 50.0 MM	
			32 - SIMULATED ROLLER 32.1 MM R4.2 MM	
			34 - BENT LEVER 36.1 MM LONG	
			35 - STRAIGHT 27.7 MM	
			41 - STRAIGHT 25.0 MM	
			43 - BENT LEVER 23.3 MM	
			45 - SIMULATED ROLLER 28.4 MM R4.8 MM	

### SA57 - (X) - (X) - (X) - (XX) - (X)



FOR MORE INFORMATION PLEASE CALL 1-800-661-9610 (HEAD OFFICE) 1-888-762-5384 (USA)

PLEASE CONSULT THE FACTORY FOR MORE PRODUCTS AND CUSTOMIZATION. PRODUCT DETAILS AND SPECIFICATIONS ARE SUBJECT TO CHANGE WITHOUT NOTICE.



# SWITCHES

N22

## TOGGLE SWITCHES

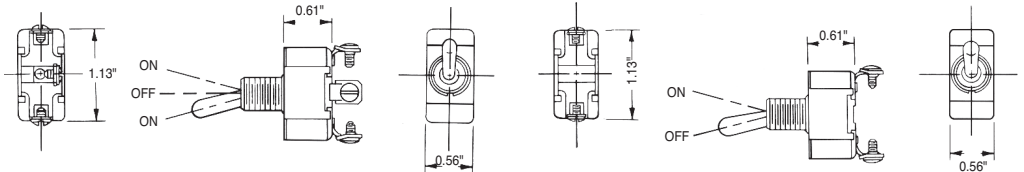
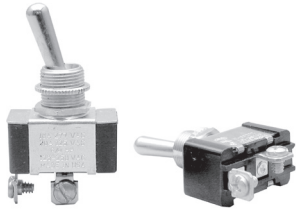
### T7 Series Single Pole Heavy Duty Toggle Switches

**PANEL CUT OUT**



- Reliable, rugged switch suitable most industrial applications
- Rated to 20A in single pole, with slow make/slow break contacts
- Available in many circuits, terminations, bushing and toggle variations
- Dielectric Strength: 1,000V (minimum)
- Insulation Resistance: 100 Meg Ohms
- Base Material: Black Phenolic
- Acuator/Bushing Material: steel, zinc chromate plated
- Ratings: 10A 277VAC / 20A 125VAC / 3/4HP 125-250VAC

- cURus Recognized
- For different toggle types, lengths, bushings and additional hardware, consult the factory
- To order with an integral O-Ring for moisture and dust resistance, change the fourth character from 9 to 7. Example: T719652 becomes T717652.
- Also available in 21 Amp 14DVC rating, consult the factory.



( ) DENOTES MOMENTARY ACTION

POLES / THROW	CIRCUIT ARRANGEMENT			MALE TAB .250" X .032"	SCREWS 6/32"	PC SOLDER	MALE TAB .187" X .032"	SOLDER LUG
	A	B	C					
SPST	ON	NONE	OFF	T719652	T719672	T719692	T719662	T719682
SPST	(ON)	NONE	OFF	T719652O	T719672O	T719692O	T719662O	T719682O
SPST	ON	NONE	(OFF)	T719652C	T719672C	T719692C	T719662C	T719682C
SPDT	ON	NONE	ON	T729652	T719672	T729692	T729662	T729682
SPDT	ON	NONE	(ON)	T729652U	T729672U	T729692U	T729662U	T729682U
SPDT	ON	OFF	ON	T739652	T739672	T739692	T739662	T739682
SPDT	(ON)	OFF	ON	T739652L	T739672L	T739692L	T739662L	T739682L
SPDT	(ON)	OFF	(ON)	T719652M	T739672M	T739692M	T739662M	T739682M

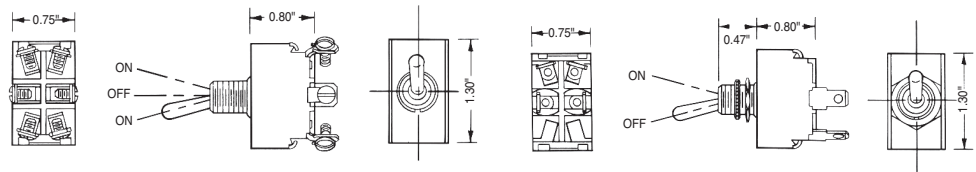
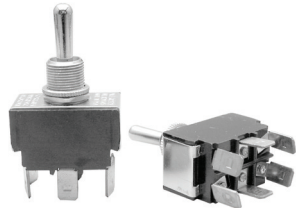
### T8 Series Heavy Duty Toggle Switches

**PANEL CUT OUT**



- Reliable, rugged switch suitable most industrial applications
- Rated to 20A in single pole, with slow make/slow break contacts
- Available in many circuits, terminations, bushing and toggle variations
- Dielectric Strength: 1,000V (minimum)
- Insulation Resistance: 100 Meg Ohms
- Base Material: Black Phenolic
- Acuator/Bushing Material: steel, zinc chromate plated
- Ratings: 10A 250VAC / 20A 125VAC / 1-1/2HP 125/250VAC

- cURus
- For different toggle types, lengths, bushings and additional hardware, consult the factory
- To order with an integral O-Ring for moisture and dust resistance, change the fourth character from 9 to 7 Example: T819652 becomes T817652.
- Also available in 21 Amp 14DVC rating, consult the factory.



( ) DENOTES MOMENTARY ACTION

POLES / THROW	CIRCUIT ARRANGEMENT			MALE TAB .250" X .032"	SCREWS 6/32"	PC SOLDER	MALE TAB .187" X .032"	SOLDER LUG
	A	B	C					
DPST	ON	NONE	OFF	T819652	T819672	T819692	T819662	T819682
DPST	(ON)	NONE	OFF	T819652O	T819672O	T819692O	T819662O	T819682O
DPST	ON	NONE	(OFF)	T819652C	T819672C	T819692C	T819662C	T819682C
DPDT	ON	NONE	ON	T829652	T819672	T829692	T829662	T829682
DPDT	ON	NONE	(ON)	T829652U	T829672U	T829692U	T829662U	T829682U
DPDT	ON	OFF	ON	T839652	T839672	T839692	T839662	T839682
DPDT	(ON)	OFF	ON	T839652L	T839672L	T839692L	T839662L	T839682L
DPDT	(ON)	OFF	(ON)	T819652M	T839672M	T839692M	T839662M	T839682M

SWITCHES

# SWITCHES

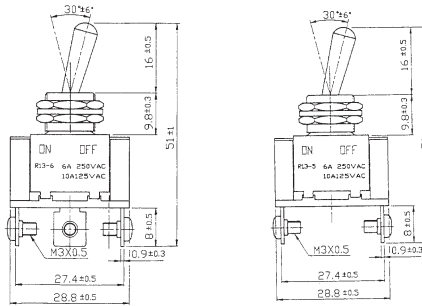
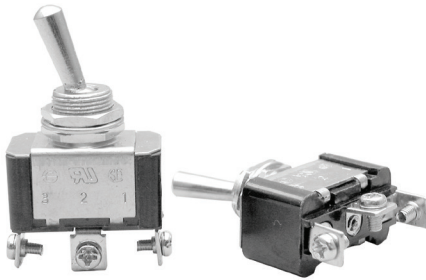
## TOGGLE SWITCHES

### T13 Series Single Pole Standard Duty Toggle Switches

**PANEL CUT OUT**



- Reliable, rugged switch suitable most industrial applications
- Rated to 10A 125VAC / 6A 250VAC in single pole, with slow make/slow break contacts
- Metal toggle bat is standard
- Comes with two mounting nuts and a marker plate
- Available in many circuits, terminations, bushing and toggle variations
- cURus



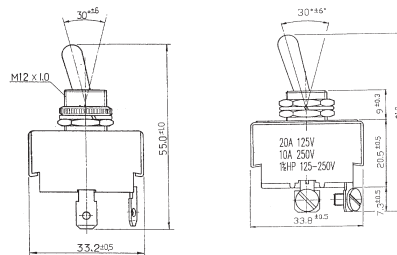
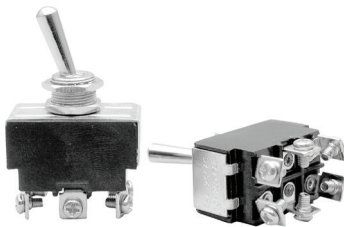
POLES / THROW	CIRCUIT ARRANGEMENT			MALE TAB .250" X .032"	SCREWS 6/32"	SOLDER LUG
	A	B	C			
SPST	ON	NONE	OFF	T135-QC	T135-SC	T135-SO
SPDT	ON	NONE	ON	T136-QC	T136-SC	T136-SO
SPDT	ON	OFF	ON	T137-QC	T137-SC	T137-SO

### T28 Series Standard Duty Toggle Switches

**PANEL CUT OUT**



- Reliable, rugged switch suitable for most industrial applications with slow make/slow break contacts
- Mounts into 1/2" hole in panel
- Available in many circuits, terminations, bushing and toggle variations
- Ratings: 15A 125VAC / 10A 250VAC
- cURus



POLES / THROW	CIRCUIT ARRANGEMENT			MALE TAB .250" X .032"	SCREWS 6/32"	SOLDER LUG
	A	B	C			
SPST	ON	NONE	OFF	T28A-QC	T28A-SC	T28A-SO
DPST	ON	NONE	OFF	T28B-QC	T28B-SC	T28B-SO
SPDT	ON	NONE	ON	T28C-QC	T28C-SC	T28C-SO
SPDT	ON	OFF	ON	T28D-QC	T28D-SC	T28D-SO
DPDT	ON	OFF	ON	T28E-QC	T28E-SC	T28E-SO
DPDT	ON	NONE	ON	T28F-QC	T28F-SC	T28F-SO

FOR MORE INFORMATION PLEASE CALL 1-800-661-9610 (HEAD OFFICE) 1-888-762-5384 (USA)

PLEASE CONSULT THE FACTORY FOR MORE PRODUCTS AND CUSTOMIZATION.  
PRODUCT DETAILS AND SPECIFICATIONS ARE SUBJECT TO CHANGE WITHOUT NOTICE.



# SWITCHES

N24

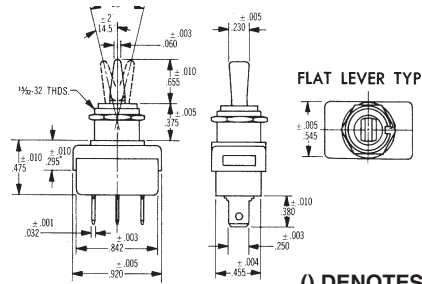
## PLASTIC TOGGLE SWITCHES FOR 1/2" MOUNTING HOLE

### T75 Series Single Pole Standard

#### PANEL CUT OUT



- Reliable, rugged, all plastic construction helps lessen grounding and shorting problems, meets requirements of double insulation
- Available in many circuits and terminations
- One hole mounting into 0.500" diameter hole with keyway 0.071"W X 0.040"D
- Mechanical life in excess of 100,000 operations
- Base Material: Nylon
- Actuator Material: Thermoplastic
- Provided with two plated hex nuts, unassembled
- Ratings: see below, with slow make/slow break contact mechanism
- UR Recognized File No. E88833 / CSA Approved File No. 054216
- Available in bat lever or paddle style lever. To order bat lever style, append the suffix A to the part number; for paddle lever style, use suffix B. Example: T7536K23-A for bat lever and T7536K23-B for paddle lever
- Other lever styles, colours, special wire lengths, terminations and markings are available upon request, consult the factory for details.



POLES / THROW	CIRCUIT ARRANGEMENT			RATINGS			MALE TAB .250" X .032"	WIRE LEADS	ACTUATOR TYPE	ACTUATOR CODE
	A	B	C	125VAC	250VAC	HP @ 125/250				
SPST	ON	NONE	OFF	10A	5A	1/2	T7536K23	T7536K25	BAT LEVER	A
SPDT	ON	NONE	ON	10A	5A	1/2	T7536K26	T7536K28	PADDLE LEVER	B
SPDT	ON	OFF	ON	10A	5A	1/2	T7536K20	T7536K22		
SPST	ON	NONE	OFF	15A	10A	1	T7537K23			
SPDT	ON	NONE	ON	15A	10A	1	T7537K26			
SPDT	ON	OFF	ON	15A	10A	1/2	T7537K20			
SPDT	ON	OFF	ON	10A	10A	1/2		T7537K22		
SPST	ON	NONE	OFF	10A	10A	1/2		T7537K25		
SPDT	ON	NONE	ON	10A	10A	1/2		T7537K28		
SPST	ON	NONE	OFF	6A	3A			T7537K29		

## TOGGLE SWITCHES MOUNTING HARDWARE

### RB71803 Rubber Boot for Toggle Switches



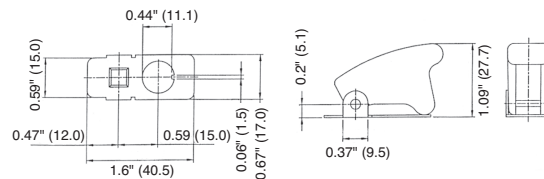
This silicon rubber boot, when used in place of the regular nut, will make any toggle switch completely moisture, dust and vapor proof



### R71812 Safety Cover For Metal Bat Toggle Switches



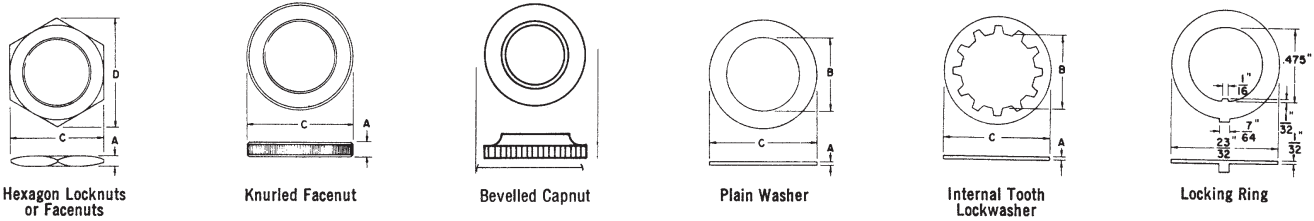
- Black steel face plate with red spring loaded switch cover.
- Simply add to existing or new toggle switches in between the hex and finishing nut
- Strike the red cover to de-energize the circuit, lift the cover to turn switch back on.





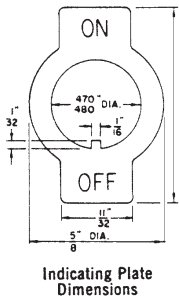
**TOGGLE SWITCHES MOUNTING HARDWARE**

**Mounting Nuts, Washers and Locking Ring**



ITEM NO.	SIZE	DESCRIPTION	MATERIAL	DIMENSION (INCHES)			
				A	B	C	D
<b>MOUNTING NUTS</b>							
15 - 192	5/32 - 32	HEXAGON LOCKNUT	ZINC CHROMATE TREATED	0.075	--	5/8	--
15 - 966 - 2	5/32 - 32	HEXAGON LOCKNUT	NICKEL PLATE BRASS	0.078	--	9/16	21/32
15 - 966 - 6	5/32 - 32	HEXAGON FACENUT	SEMI-LUSTRE NICKEL PLATED BRASS	0.078	--	9/16	21/32
15 - 124F1	5/32 - 32	HEXAGON FACENUT	BRIGHT NICKEL PLATED BRASS	0.066	--	9/16	--
15 - 124FS	5/32 - 32	KNURLED FACENUT	BLACK CUPRIC OXIDE PLATED BRASS	0.066	--	9/16	--
15 - 90	5/32 - 32	KNURLED FACENUT	NICKEL PLATE BRASS	7/64	--	5/8	--
15 - 1048 - 3	5/32 - 32	DECORATOR FACENUT, KNURLED	ANODIZED ALUMINUM, BLACK		7/16	5/8	
15 - 1048 - 7	5/32 - 32	DECORATOR FACENUT, KNURLED	ANODIZED ALUMINUM, CLEAR		7/16	5/8	
15 - 1049 - 3	5/32 - 32	DECORATOR FACENUT, BEVELLED	ANODIZED ALUMINUM, BLACK		7/16	5/8	
15 - 1049 - 7	5/32 - 32	DECORATOR FACENUT, BEVELLED	ANODIZED ALUMINUM, CLEAR		7/16	5/8	
<b>MOUNTING WASHERS AND LOCKING RING</b>							
16-1382	FOR 15/32 BUSHING	PLAIN WASHER	CADMIUM PLATED STEEL	1/32	31/64	3/4	--
16 - 886	FOR 15/32 BUSHING	INTERNAL TOOTH LOCKWASHER	CADMIUM PLATED STEEL	0.021	0.471	19/32	--
29 - 761	FOR 15/32 BUSHING	LOCKING RING	CADMIUM PLATED STEEL	0.040	0.475	23/32	--

**Indicator Plates For 15/32" Bushing Type Switches**



ITEM NO.	MARKING		MATERIAL	FINISH
	OPPOSITE KEYWAY	KEYWAY SIDE		
30 - 5632 - 4	ON	OFF	0.032" STEEL	BURNISHED NICKEL
30 - 5632 - 16	HI	LOW	0.032" STEEL	BURNISHED NICKEL
30 - 2899 - 2	FOR	REV	0.032" STEEL	BURNISHED NICKEL
30 - 5632 - 13	ON	OFF	0.032" STEEL	BURNISHED NICKEL

FOR MORE INFORMATION PLEASE CALL 1-800-661-9610 (HEAD OFFICE) 1-888-762-5384 (USA)

PLEASE CONSULT THE FACTORY FOR MORE PRODUCTS AND CUSTOMIZATION. PRODUCT DETAILS AND SPECIFICATIONS ARE SUBJECT TO CHANGE WITHOUT NOTICE.



## SWITCHES

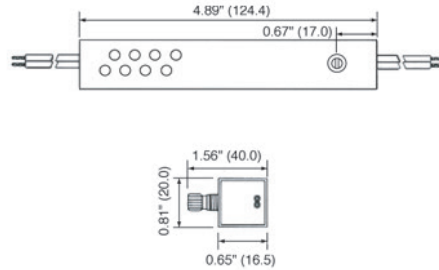
N26

### DIMMER SWITCHES

#### DS-02 In-Line Pole Dimmer Switch

- Long narrow design allows the dimmer to fit in narrow spaces such as pole or slim profile bases.
- Controls the brightness of incandescent or quartz lamps.
- Positive On-Off switch at extreme counter-clockwise position.
- Reliable solid state circuitry for long life.

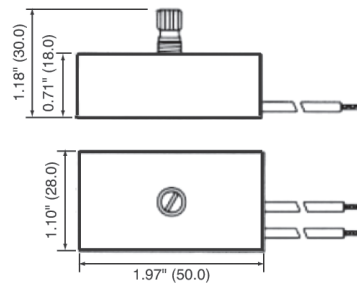
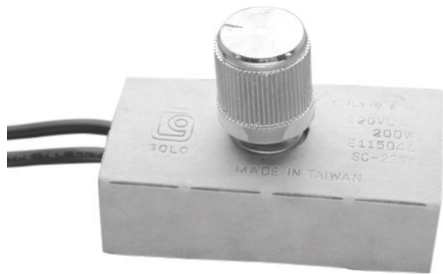
- Comes with hex nut, knurled nut and brass cap hardware.
- Supplied with SPT-1 wire leads on input and output sides.
- Rated 60W-500W at 120VAC.
- cURus



#### DS-03 Full Range Dimmer Switch

- Small compact design allows the dimmer to fit in narrow spaces such as lamp bases or compact profile fixtures.
- Controls the brightness of incandescent lamps
- Positive On-Off switch at extreme counter-clockwise position.
- Reliable solid state circuitry for long life.

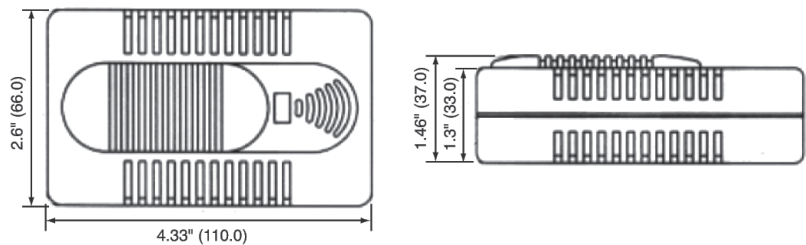
- Comes with hex nut, knurled nut and brass cap hardware.
- Supplied with 4" 18 ga. AWN/TEW 105C leads.
- cURus



#### SC-233A Slide Floor Dimmer Switch 1 - 15P Receptacle

- Rugged high strength all plastic housing with large easy to use slide control.
- Built in indicator lamp to help locate in the dark.
- Controls the brightness of incandescent lamps.
- Cord from lamp is simply inserted into the polarized receptacle.

- Reliable solid state circuitry for long life.
- Comes with its own 6.5' SPT-2 18/2 cord with polarized plug.
- Rated 600W max 120/240VAC.
- cULus



## SECTION O FANS

AC Axial Fans	O2 - O8
DC Axial/Brushless Fans	O9 - O12
Accessories	O13 & O15
Finger Guards	O14



# FANS

AC AXIAL FANS AND DC BRUSHLESS FANS

General Data

AC AXIAL FANS		DC BRUSHLESS FANS	
<b>Frame:</b>	Die-cast Aluminum, painted Black or with Natural finish Die-cast Zinc, painted Black or with Natural finish Plastic PBT(Polybutylene Terephthalate) for high strength, high impact & thermal characteristics (UL 94V-0)	<b>Frame</b>	Injection molded non-flammable black thermoplastic, UL 94V-0 rating
<b>Motor:</b>	Reliable shaded pole construction	<b>Motor:</b>	Brushless DC
<b>Impeller:</b>	Injection molded, non-flammable thermoplastic, UL 94V-0 rating	<b>Impeller:</b>	Injection molded, non-flammable thermoplastic, UL 94V-0 rating
<b>Operating Voltage:</b>	110/120V Ranged Voltage from 85V to 125V 220/230V Ranged Voltage from 190V to 245V	<b>Operating Voltage:</b>	Rated voltage +15%
<b>Dielectric Strength:</b>	1 Minute Minimum at 1,500 VAC/50-60Hz, one minute (between frame and terminal)	<b>Dielectric Strength:</b>	1 Minute Minimum at 500 VAC/50-60Hz, one minute (between frame and terminal)

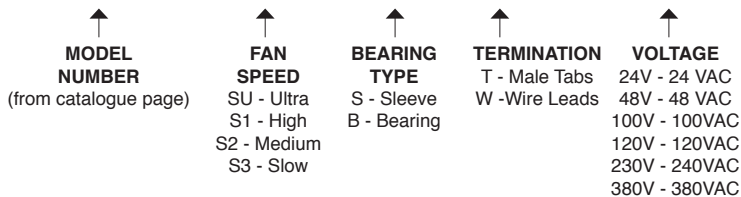
General Data - AC Axial Fans and DC Brushless Fans

<b>Bearings:</b>	Precision, life lubricated dual ball bearing system. Precision, oil impregnated sintered sleeve bearing system		
<b>Insulation Resistance:</b>	10 Megohms Minimum at 500VDC		
<b>Impedance Protection:</b>	The fans are designed in such a way that the wiring will not burn out, even if the rotating parts are restricted. The use of incombustible insulating materials assures increased safety.		
<b>Operating Temperature:</b>	Sleeve Bearing: -10°C to +70°C	Ball Bearing: -20°C to +80°C	
<b>Ambient Humidity:</b>	Ball Bearing: 20% - 85% RH(Relative Humidity)	Sleeve Bearing: 20% - 80% RH(Relative Humidity)	
<b>Life Expectancy:</b>	<b>BALL BEARING:</b> 100,000 hrs 50,000 hrs 30,000 hrs 15,000 hrs	<b>SLEEVE BEARING:</b> 60,000 hrs 30,000 hrs 20,000 hrs 10,000 hrs	<b>TEMPERATURE:</b> at 25° C at 40° C at 55° C at 70° C
<b>Noise Level:</b>	Range is from 24 to 54 dba, depending on the speed and model selected		
<b>Warranty:</b>	Fans are warranted free of charge on defective materials and workmanship for ONE (1) YEAR from the date of delivery.		

How to Order: Determine the Following

- The appropriate fan model number
- The fan speed / CFM air movement e.g. S1 / S2 / S3
- The type of bearing required
- Wire or male tab terminals
- The voltage required

FP - (X X X) - (X X) - (X) (X) - (X X X X)



Series Sizes

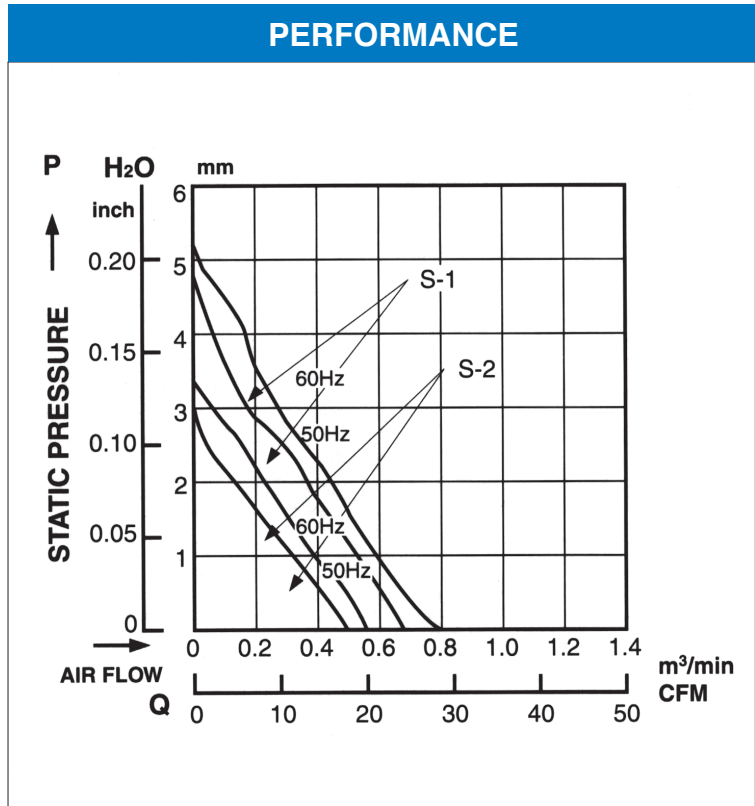
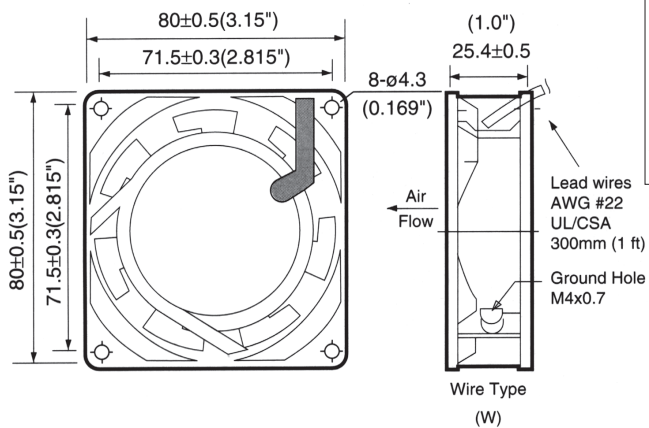
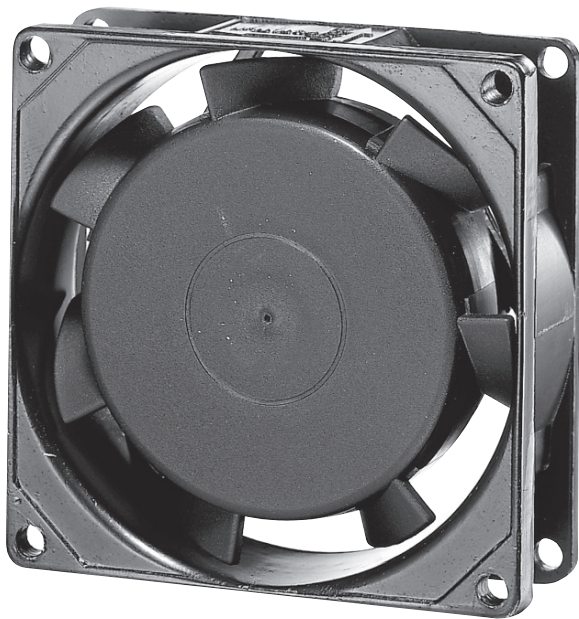
Product Number	Dimension		Page
FP-108 AX	80mm x 80mm x 25.4mm	3.15"H x 3.15"W x 1.0"T	M3
FP-108 B	92mm x 92mm x 25.4mm	3.62"H x 3.62"W x 1.0"T	M4
FP-108-1	119mm x 119mm x 25.4mm	4.71"H x 4.71"W x 1.0"T	M5
FP-108-7	127 mm x 127mm x 25.4mm	5.0"H x 5.0"W x 1.0"T	M6
FP-108-EX	172mm x 150mm x 51mm	6.77"H x 5.9"W x 2.0"T	M7
FP-108-EXM	172 mm x 150mm x 51mm	6.77"H x 5.9"W x 2.0"T	M8

# AC AXIAL FAN

## FP-108AX

- **FP-108AX** - Size: 80 x 80 x 25.4 mm / 3.15"W x 3.15"H x 1.0"T
- **WEIGHT:** 230 g
- **BEARING SYSTEM:** Sleeve bearing and ball bearing
- **IMPELLER:** Plastic with fiber glass fill, UL 94V-0
- **HOUSING:** Die-cast aluminum and zinc

- **MOTOR:** Shaded pole, impedance protected
- **CONNECTION:** Terminal(T) and wire leads(W)
- **SPEED:** S-1: High speed type. For S-2: Medium speed type consult factory
- **OTHER VOLTAGES** 24V, 48V, 100V, 380VAC (50/60Hz) are available



SERIES NUMBER	VOLT (VAC)	FREQ (HZ)	AIR (CFM)	VOLUME (M / MIN)	CURRENT (A)	POWER (W)	SPEED (RPM)	STATIC PRESSURE (INCH-H <sub>2</sub> O)	NOISE (DBA)
FP-108AX (S-1)	110/120	50/60	21/23	0.60/0.67	0.19/0.17	13/14	2,400/2,800	0.18/0.21	29/33
FP-108AX (S-1)	220/240	50/60	21/23	0.60/0.67	0.12/0.10	13/14	2,400/2,800	0.18/0.21	29/33

FOR MORE INFORMATION PLEASE CALL 1-800-661-9610 (HEAD OFFICE) 1-888-762-5384 (USA)

PLEASE CONSULT THE FACTORY FOR MORE PRODUCTS AND CUSTOMIZATION.  
 PRODUCT DETAILS AND SPECIFICATIONS ARE SUBJECT TO CHANGE WITHOUT NOTICE.

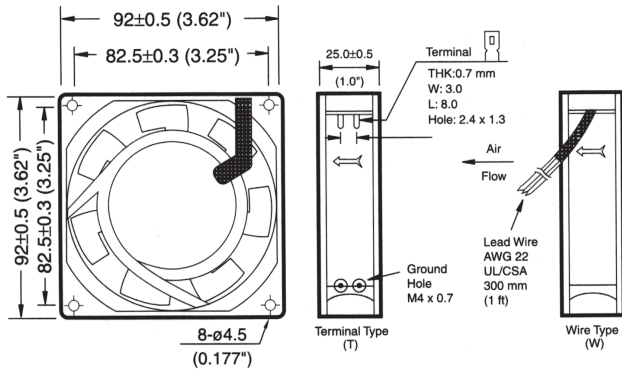
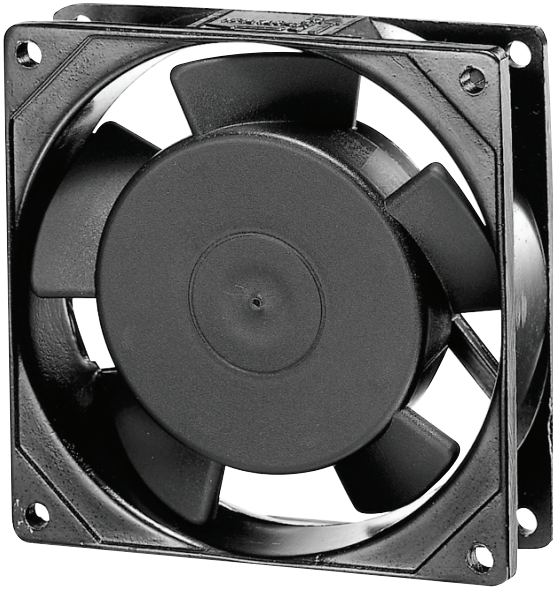




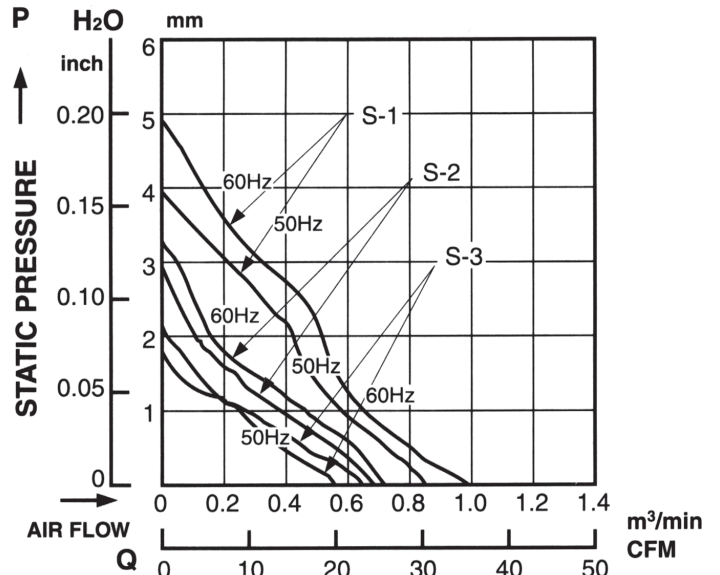
AC AXIAL FAN

FP-108B

- **FP-108B** - Size: 92 x 92 x 25.4 mm / 3.62"W x 3.62H x 1.0"T
- **WEIGHT:** 270 g
- **BEARING SYSTEM:** Sleeve bearing and ball bearing
- **IMPELLER:** Plastic with fiber glass fill, UL 94V-0
- **HOUSING:** Die-cast aluminum and zinc
- **MOTOR:** Shaded pole, impedance protected
- **CONNECTION:** Terminal(T) and wire leads(W)
- **SPEED:** S-1: High speed type. For other fan speed available consult factory.
- **OTHER VOLTAGES** 24V, 48V, 100V, 380VAC (50/60Hz) are available



PERFORMANCE



SERIES NUMBER	VOLT (VAC)	FREQ (HZ)	AIR (CFM)	VOLUME (M / MIN)	CURRENT (A)	POWER (W)	SPEED (RPM)	STATIC PRESSURE (INCH-H <sub>2</sub> O)	NOISE (DBA)
FP-108B (S-1)	110/120	50/60	30/36	0.85/1.0	0.21/0.20	19/17	2,400/2,800	0.16/0.20	35/37
FP-108B (S-1)	220/240	50/60	30/36	0.85/1.0	0.10/0.09	19/17	2,400/2,800	0.16/0.20	35/37

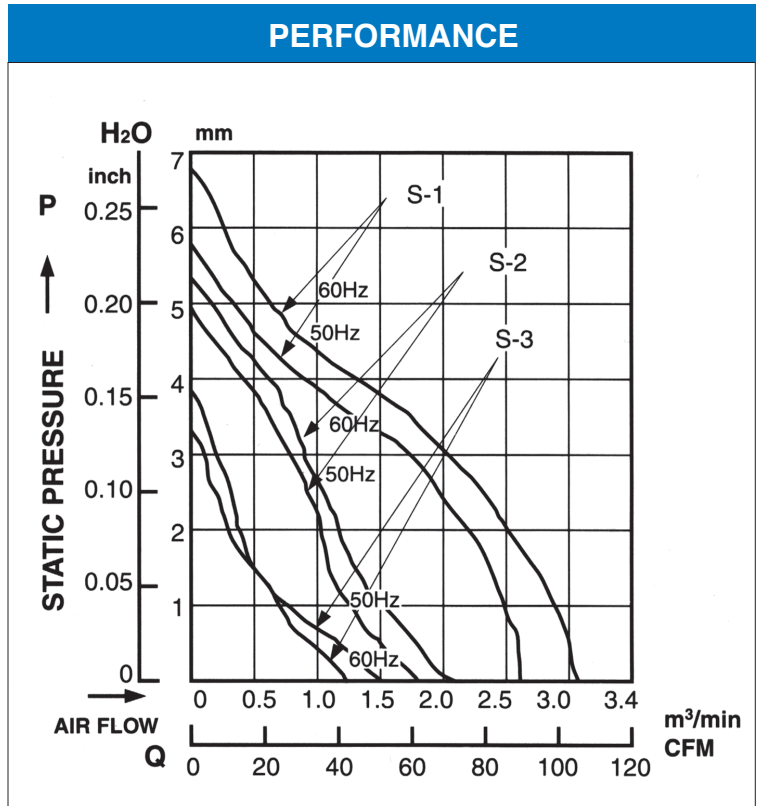
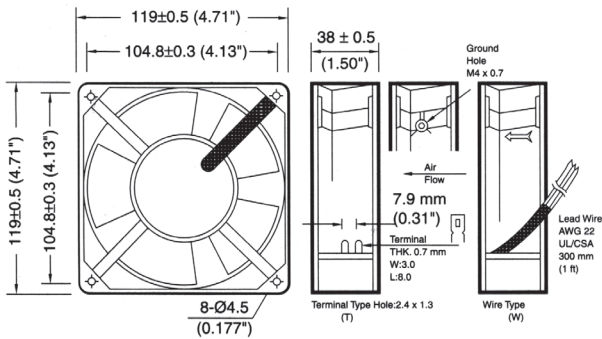


# AC AXIAL FAN

## FP-108-1

- **FP-108-1** - Size: 119 x 119 x 38 mm / 4.71"W x 4.71"H x 1.5"T
- **WEIGHT:** 550 g
- **BEARING SYSTEM:** Sleeve bearing and ball bearing
- **IMPELLER:** Plastic with fiber glass fill, UL 94V-0
- **HOUSING:** Die-cast aluminum, painted black or natural colour; PBT plastic, UL-94V-0

- **MOTOR:** Shaded pole, impedance protected
- **CONNECTION:** Terminal(T) and wire leads(W)
- **SPEED:** S-1: High speed type. For other fan speed available consult factory.
- **OTHER VOLTAGES** 24V, 48V, 100V, 380VAC (50/60Hz) are available



SERIES NUMBER	VOLT (VAC)	FREQ (HZ)	AIR (CFM)	VOLUME (M / MIN)	CURRENT (A)	POWER (W)	SPEED (RPM)	STATIC PRESSURE (INCH-H,0)	NOISE (DBA)
FP108-1 (S-1)	110/120	50/60	112/120	3.18/3.40	0.25/0.19	18/19	2,700/3,000	0.27/0.30	40/45
FP108-1 (S-1)	220/240	50/60	112/120	3.18/3.40	0.14/0.12	18/19	2,700/3,000	0.27/0.30	40/45
FP108-1 (S-1)	110/120	50/60	80/105	2.3/3.0	0.24/0.18	18/17	2,700/3,000	0.23/0.28	42/47
FP108-1 (S-1)	220/240	50/60	80/105	2.3/3.0	0.13/0.11	18/17	2,700/3,000	0.23/0.28	42/47

FOR MORE INFORMATION PLEASE CALL 1-800-661-9610 (HEAD OFFICE) 1-888-762-5384 (USA)

PLEASE CONSULT THE FACTORY FOR MORE PRODUCTS AND CUSTOMIZATION.  
PRODUCT DETAILS AND SPECIFICATIONS ARE SUBJECT TO CHANGE WITHOUT NOTICE.

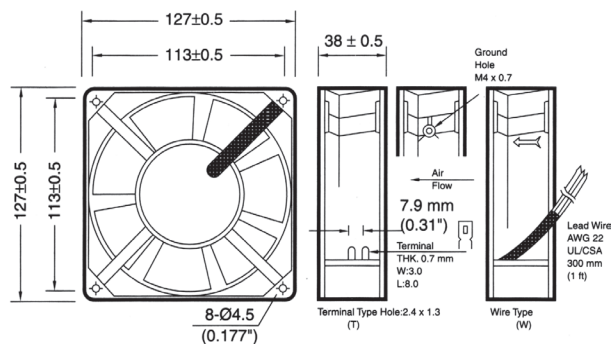
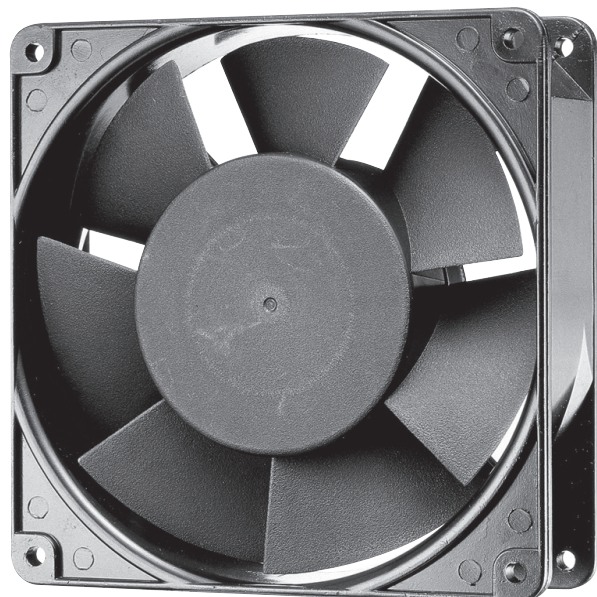


AC AXIAL FAN

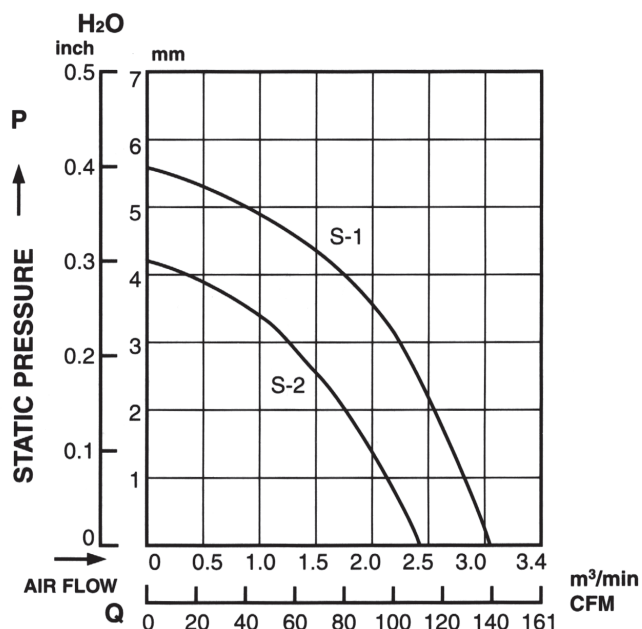
FP-108-7

- **FP-108-7** - Size: 127 x 127 x 38 mm / 5"W x 5"H x 1.5"T
- **BEARING SYSTEM:** Sleeve bearing and ball bearing
- **IMPELLER:** Plastic with fiber glass fill, UL 94V-0
- **HOUSING:** Die-cast aluminum, painted black or natural colour

- **MOTOR:** Shaded pole, impedance protected
- **CONNECTION:** Terminal(T) and wire leads(W)
- **SPEED:** S-1: High speed type. For S-2: Medium speed type consult factory
- **OTHER VOLTAGES** 24V, 48V, 100V, 380VAC (50/60Hz) are available



PERFORMANCE



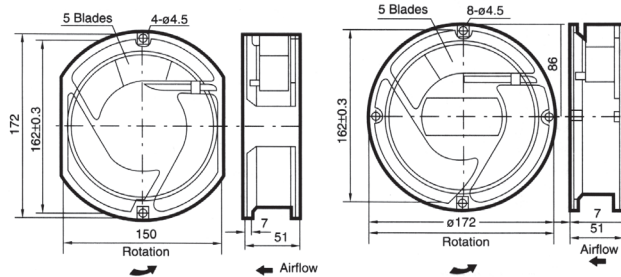
SERIES NUMBER	VOLT (VAC)	FREQ (HZ)	AIR (CFM)	VOLUME (M / MIN)	CURRENT (A)	POWER (W)	SPEED (RPM)	STATIC PRESSURE (INCH-H <sub>2</sub> O)	NOISE (DBA)
FP-108-7 (S-1)	110/120	50/60	115/140	3.3/4.0	0.26/0.24	24/23	2,700/3,000	0.28/0.30	44/47
FP-108-7 (S-1)	220/240	50/60	115/140	3.3/4.0	0.16/0.14	24/23	2,700/3,000	0.28/0.30	44/47

**AC AXIAL FAN**

**FP108EX**

- **FP-108EX** - Size: 172 x 150 x 51 mm / 6.77"W x 5.90"H x 2.0"T
- **WEIGHT:** 1,000 g
- **BEARING SYSTEM:** Sleeve bearing and ball bearing
- **IMPELLER:** Plastic with fiber glass fill, UL 94V-0
- **HOUSING:** Die-cast aluminum, painted black or natural colour; PBT plastic, UL-94V-0

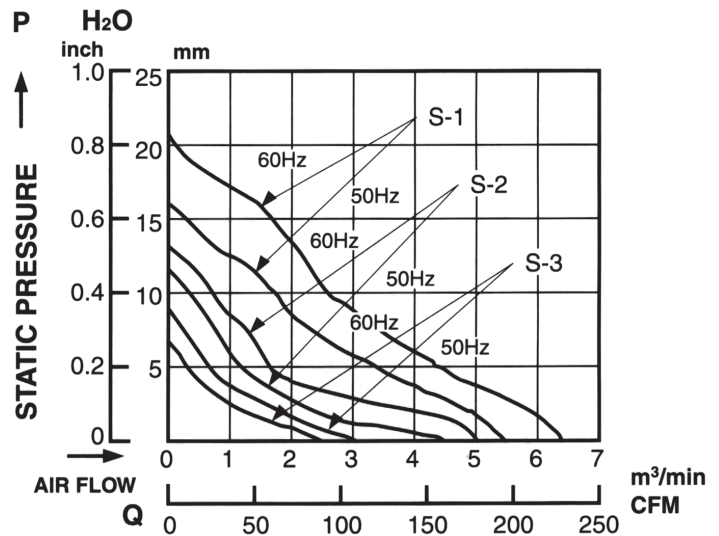
- **MOTOR:** Shaded pole, impedance protected
- **CONNECTION:** Terminal(T) and wire leads(W)
- **SPEED:** S-1: High speed type. For other fan speed available consult factory.
- **OTHER VOLTAGES** 24V, 48V, 100V, 380VAC (50/60Hz) are available



FP-108EX

FP-108E

**PERFORMANCE**



SERIES NUMBER	VOLT (VAC)	FREQ (HZ)	AIR (CFM)	VOLUME (M / MIN)	CURRENT (A)	POWER (W)	SPEED (RPM)	STATIC PRESSURE (INCH-H <sub>2</sub> O)	NOISE (DBA)
FP-108EX (S-1)	110/120	50/60	190/235	5.4/6.6	0.5/0.45	38/35	2,800/3,100	0.63/0.79	50/45
FP-108EX (S-1)	220/240	50/60	190/235	5.4/6.6	0.23/0.21	32/31	2,800/3,100	0.63/0.79	50/45

FOR MORE INFORMATION PLEASE CALL 1-800-661-9610 (HEAD OFFICE) 1-888-762-5384 (USA)

PLEASE CONSULT THE FACTORY FOR MORE PRODUCTS AND CUSTOMIZATION.  
PRODUCT DETAILS AND SPECIFICATIONS ARE SUBJECT TO CHANGE WITHOUT NOTICE.

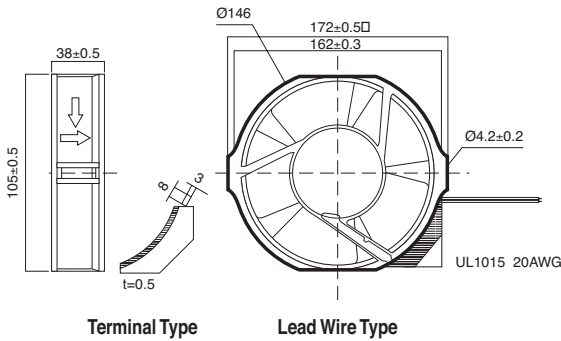


AC AXIAL FAN

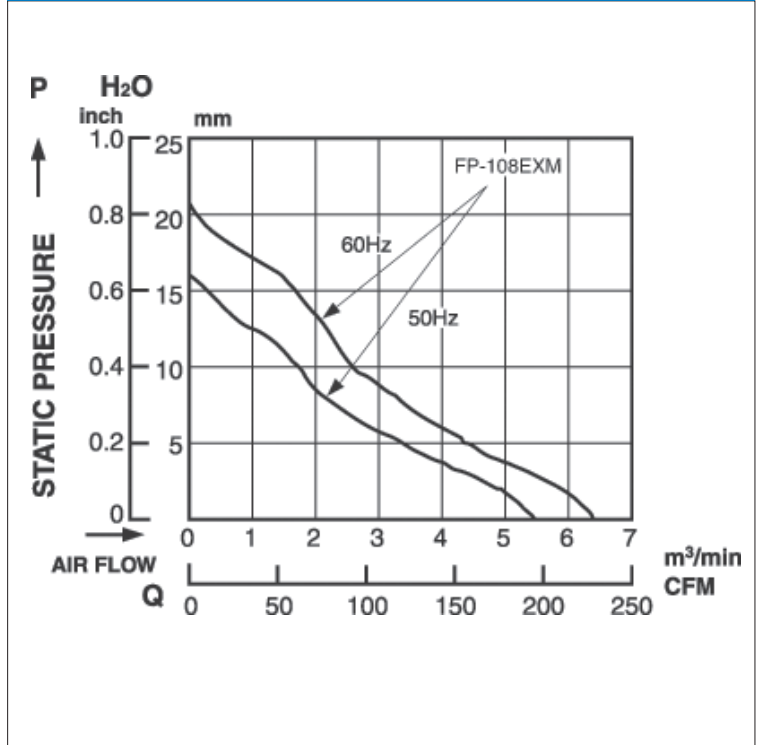
FP-108EXM

- **FP-108EXM** - Size: 172 x 150 x 30mm / 6.77"W x 5.90"H x 1.18"T
- **WEIGHT:** 1000 g
- **BEARING SYSTEM:** Ball bearing
- **IMPELLER:** Plastic with fiber glass fill, UL 94V-0

- **HOUSING:** Plastic with fiber glass fill, UL 94V-0
- **MOTOR:** Shaded pole motor
- **CONNECTION:** Terminal(T) and wire leads(W)
- **OTHER VOLTAGES** 24V, 48V, 100V, 380VAC (50/60Hz) are available



PERFORMANCE



SERIES NUMBER	VOLT (VAC)	FREQ (HZ)	AIR (CFM)	VOLUME (M / MIN)	CURRENT (A)	POWER (W)	SPEED (RPM)	STATIC PRESSURE (INCH-H <sub>2</sub> O)	NOISE (DBA)
FP-108EXM	110/120	50/60	205/230	5.80/6.50	0.40/0.40	30/28	2,700/2,900	0.75/0.60	49
FP-108EXM	220/240	50/60	205/230	5.80/6.50	0.28/0.32	38/35	2,700/2,900	0.75/0.60	49



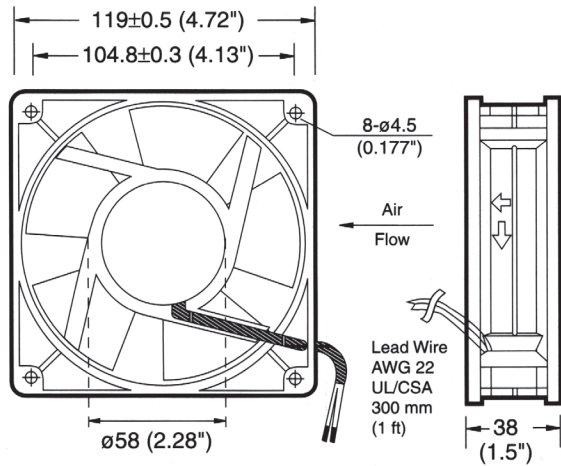


DC BRUSHLESS FANS

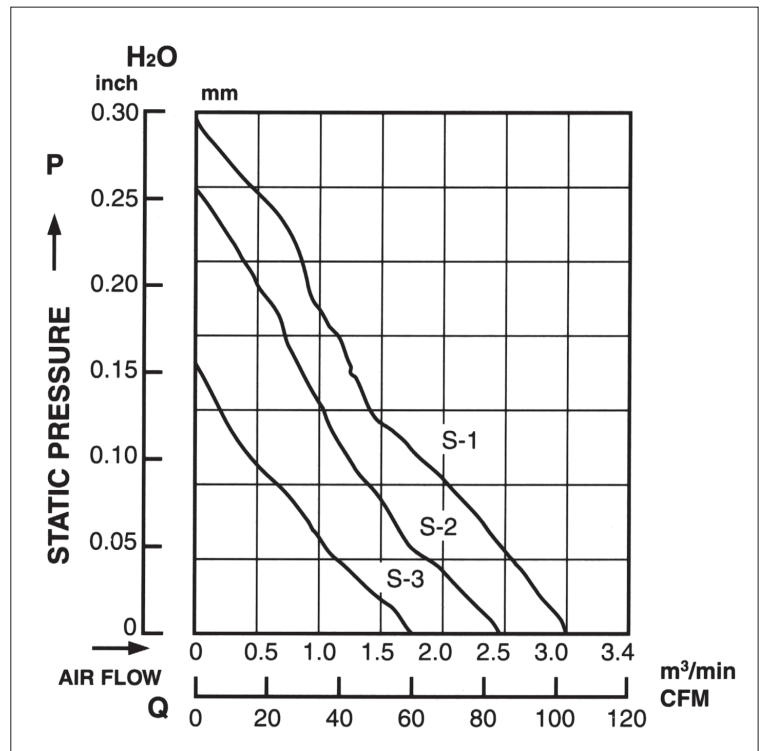
FP-108 / DC

- **FP-108/DC** - Size: 119 x 119 x 38 mm / 4.72"W x 4.72"H x 1.5"T
- **WEIGHT:** 350 g
- **BEARING SYSTEM:** Sleeve bearing and ball bearing
- **IMPELLER:** Plastic with fiber glass fill, UL 94V-0
- **HOUSING:** Die-cast aluminum, painted black or natural colour; plastic with fiber glass fill, UL 94V-0
- **MOTOR:** Brushless DC

- **CONNECTION:** Wire leads(W)
- **SPEED:** S-1: High speed type. For S-2: Medium speed type and S-3: Low speed type consult factory
- **OTHER VOLTAGES** 36V and 48V are available
- Available FG type for speed sensor signal output**
- Available RD type for rotor locked alarm signal output**



PERFORMANCE



SERIES NUMBER	VOLT (VAC)	AIR (CFM)	VOLUME (M / MIN)	CURRENT (A)	POWER (W)	SPEED (RPM)	STATIC PRESSURE (INCH-H,0)	NOISE (DBA)
FP-108/DC (S-1)	12	105	3.0	0.60	7	3,000	0.28	45
	24	105	3.0	0.36	8.6	3,000	0.28	45

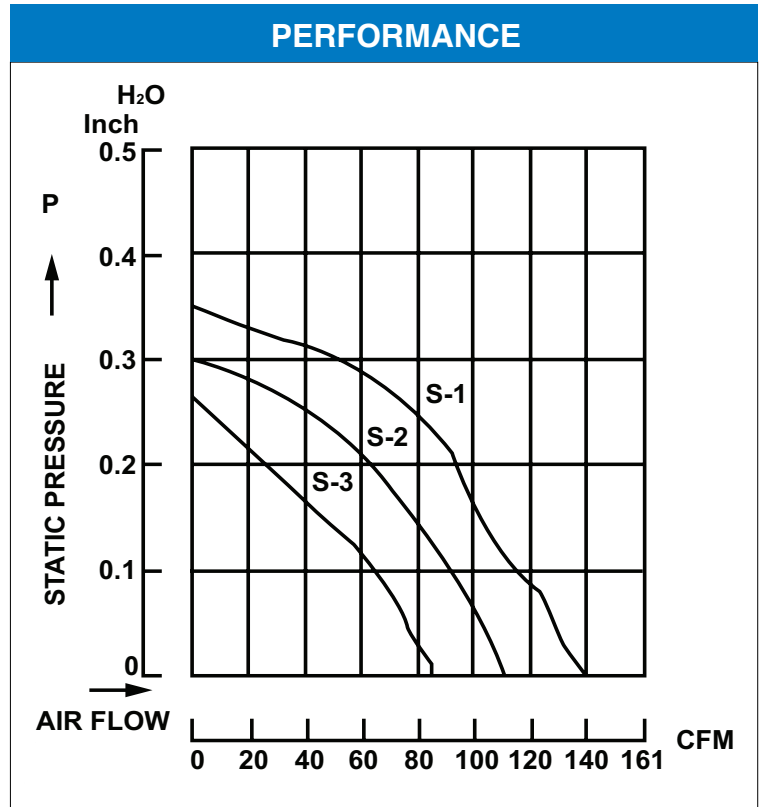
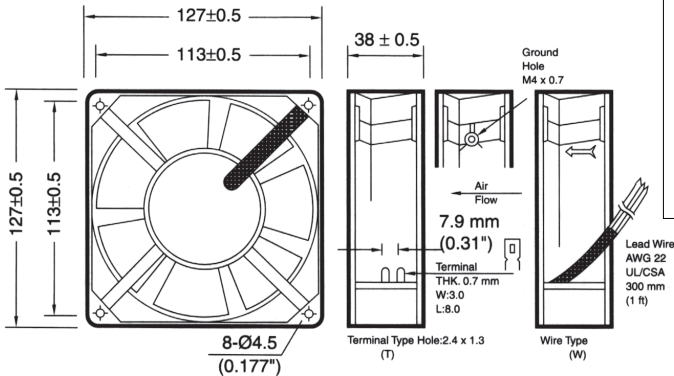


# DC BRUSHLESS FANS

## FP-108-7 / DC

- **FP-108-7/DC** - Size: 127 x 127 x 38 mm / 5"W x 5"H x 1.5"T
- **BEARING SYSTEM:** Sleeve bearing and ball bearing
- **IMPELLER:** Plastic with fiber glass fill, UL 94V-0
- **HOUSING:** Plastic with fiber glass fill, UL 94V-0
- **MOTOR:** Brushless DC
- **CONNECTION:** Wire leads(W)

- **SPEED:** S-1: High speed type. For other fan speed available consult factory.
- **OTHER VOLTAGES** 12VDC, 24VDC, 48VDC
- Available FG type for speed sensor signal output**
- Available RD type for rotor locked alarm signal output**



SERIES NUMBER	VOLT (VAC)	AIR (CFM)	VOLUME (M / MIN)	CURRENT (A)	POWER (W)	SPEED (RPM)	STATIC PRESSURE (INCH-H <sub>2</sub> O)	NOISE (DBA)
FP-108-7/DC (S-1)	12	140	4.0	0.48	5.76	3,000	0.35	45
	24	140	4.0	0.33	7.92	3,000	0.35	45
	48	140	4.0	0.25	12.00	3,000	0.35	45

FOR MORE INFORMATION PLEASE CALL 1-800-661-9610 (HEAD OFFICE) 1-888-762-5384 (USA)

PLEASE CONSULT THE FACTORY FOR MORE PRODUCTS AND CUSTOMIZATION.  
 PRODUCT DETAILS AND SPECIFICATIONS ARE SUBJECT TO CHANGE WITHOUT NOTICE.

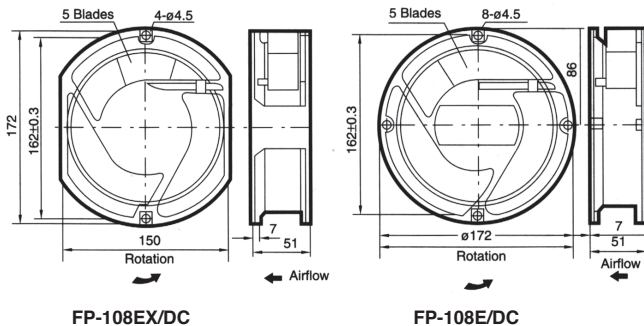


DC BRUSHLESS FANS

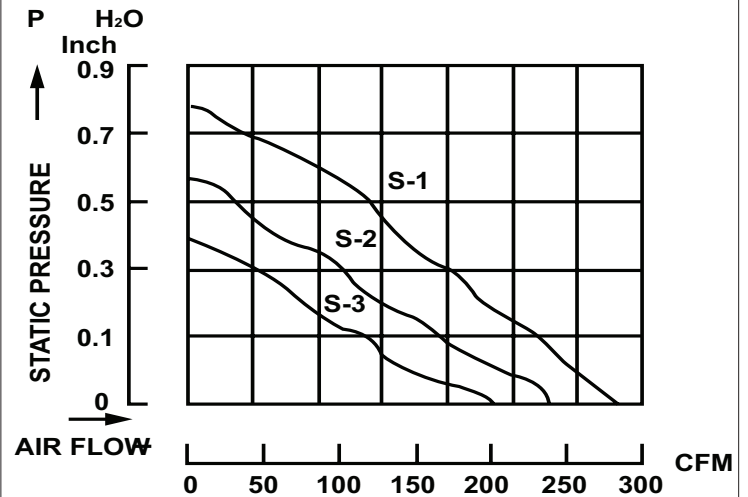
FP-108EX / DC

- **FP-108EX/DC** - Size: 172 x 150 x 51 mm / 6.77"W x 5.90"H x 2.0"T
- **FP-108E/DC** - Size: 172ø x 51 mm / 6.77"ø x 2.0"T
- **WEIGHT:** 1,000 g
- **BEARING SYSTEM:** Ball bearing
- **IMPELLER:** Plastic with fiber glass fill, UL 94V-0

- **HOUSING:** Die-cast aluminum, painted black or natural colour
- **MOTOR:** Brushless DC
- **CONNECTION:** Wire leads(W)
- **SPEED:** S-1: High speed type. For other fan speed available consult factory.
- **OTHER VOLTAGES** 12VDC, 24VDC, 48VDC



PERFORMANCE



SERIES NUMBER	VOLT (VAC)	AIR (CFM)	VOLUME (M / MIN)	CURRENT (A)	POWER (W)	SPEED (RPM)	STATIC PRESSURE (INCH-H <sub>2</sub> O)	NOISE (DBA)
FP-108EX/DC (S-1)	12	250	7.08	1.40	16.80	2,800	0.42	47
FP-108E/DC (S-1)	24	250	7.08	1.00	24.00	2,800	0.42	47
	48	250	7.08	0.60	28.80	2,800	0.42	47

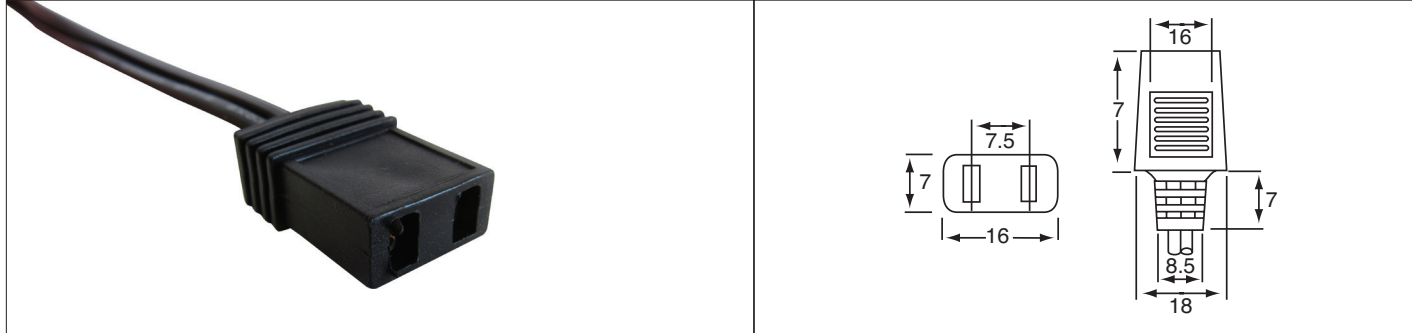
**ACCESSORIES**

**FAN POWER CORDS A-1, A-2, A-3**

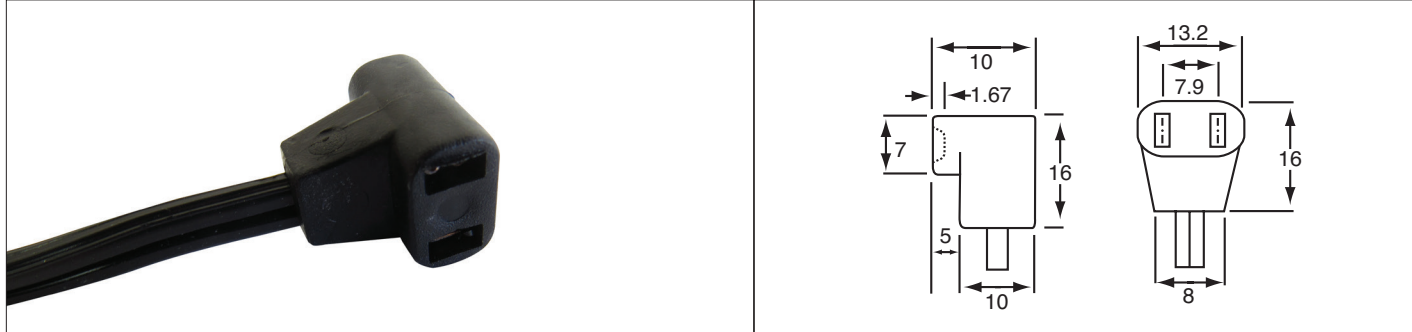
**A-1 45° STYLE**



**A-2 STRAIGHT STYLE**



**A-3 90° STYLE**



ITEM NUMBER	STYLE	DESCRIPTION	PART NUMBER	LENGTH	
				(MM)	(INCHES)
A-1 3FT	45°	For 0.5 mm Push-in Terminal Pins SPT-2 105°C Black Colour	A1-12	300	12"
			A1-24	600	24"
			A1-36	1,000	36"
A-2 2FT A-2 3FT	STRAIGHT	For 0.7 mm or 0.5 mm Push-in Terminal Pins SPT-2 105°C Black Colour	A2-12	300	12"
A2-24			600	24"	
A2-36			1,000	36"	
A-3 3FT	90°	For 0.5 mm Push-in Terminal Pins SPT-2 105°C Black Colour	A3-12	300	12"
			A3-24	600	24"
			A3-36	1,000	36"

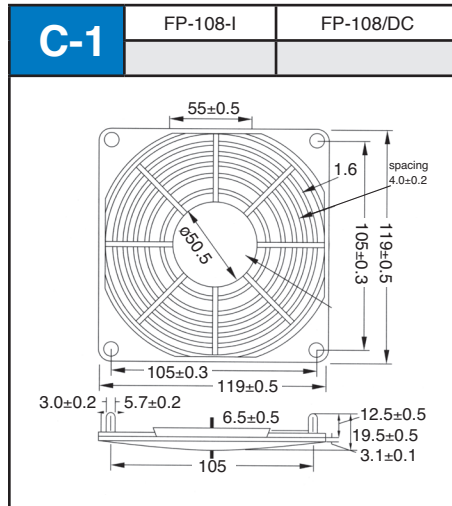
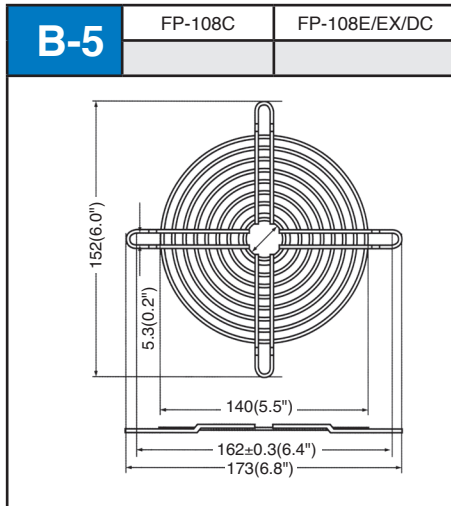
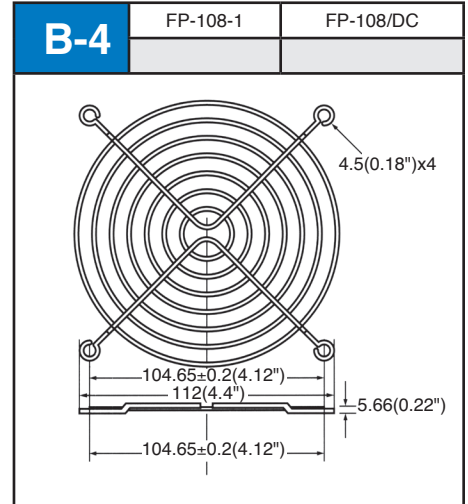
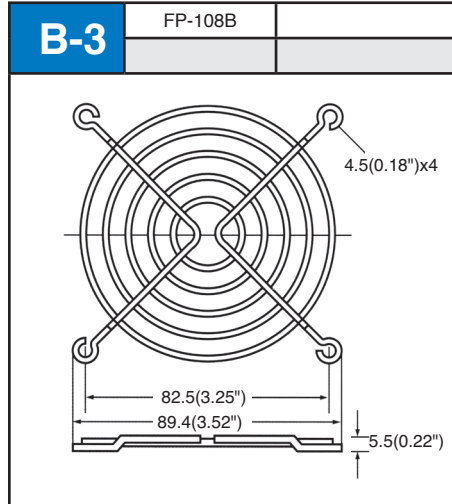
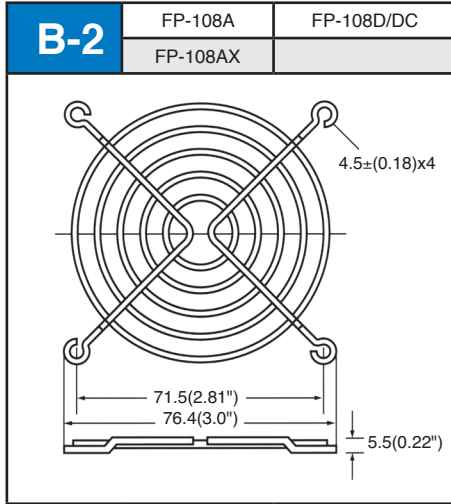
FOR MORE INFORMATION PLEASE CALL 1-800-661-9610 (HEAD OFFICE) 1-888-762-5384 (USA)

PLEASE CONSULT THE FACTORY FOR MORE PRODUCTS AND CUSTOMIZATION.  
PRODUCT DETAILS AND SPECIFICATIONS ARE SUBJECT TO CHANGE WITHOUT NOTICE.



FINGER GUARDS

METAL



**ACCESSORIES**

**PLASTIC FAN FILTER KITS**

<b>D-3</b>	FP-108A	FP-108B/DC
	92 X 92 mm	



<b>D-4</b>	FP-108-1	FP-108/DC
	120 X 120 mm	

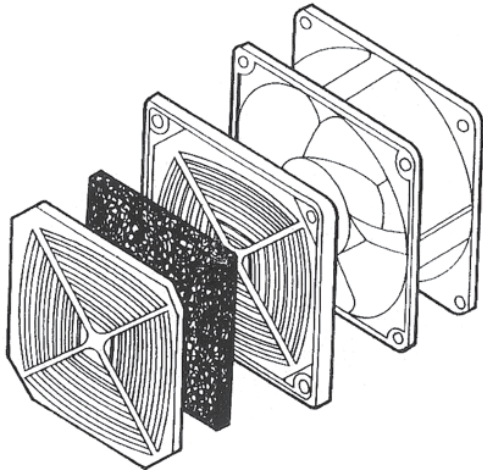


<b>D-5</b>	FP-108EX	
	180 X 153 mm	



FANS

<b>GUARD:</b> PLASTIC UL-94V-0	<b>RETAINER:</b> PLASTIC UL-94V-0	<b>MEDIA:</b> PU FOAM 30 or 45PPI
--------------------------------	-----------------------------------	-----------------------------------



FOR MORE INFORMATION PLEASE CALL 1-800-661-9610 (HEAD OFFICE) 1-888-762-5384 (USA)

PLEASE CONSULT THE FACTORY FOR MORE PRODUCTS AND CUSTOMIZATION.  
 PRODUCT DETAILS AND SPECIFICATIONS ARE SUBJECT TO CHANGE WITHOUT NOTICE.



FOR

CUSTOM

ORDERS

CONSULT

FACTORY





## SECTION P SENSORS

High Bay Occupancy Sensors	P2 - P3
Offset Extension Bracket and Short Adapter for PIR Sensors	P4
Ceiling Mount Sensor	P5 - P6



# SENSORS

**HIGH BAY PIR OCCUPANCY SENSORS**

**Line Voltage Sensors**

Passive Infrared (PIR) Sensing Technology Line voltage sensor with 360 degree lens offer amazing performance and sensitivity to small movements and are ideal for new or retrofit applications. Compatible with electronic and magnetic ballasts. The units are UL and cUL approved and comply with California Title 24 requirements.

**Applications: Lighting ON/OFF Control, Tungsten, Halogen, Fluorescent, LED light sources.**

Ideal for high bay fixtures in warehouse, manufacturing facilities and retail box stores.



**FEATURES AND BENEFITS**

Occupancy and motion detection using Passive Infrared Technology Inside.

360 Degree Wide Range and Aisle Way Coverage Interchangeable lenses. Other pattern lenses are available.

Relay Imbedded (No External Box is Required)

No Minimum Load Requirement

Adjustable Time Delay, from about 30 seconds to 25 minutes.

Adjustable Day Lighting Control. 30 - 2500 Lux range.

LED Activity Indication blinks when sensor detects motion.

Self contained using standard 1/2" knockouts.

Relay circuitry - zero crossing to provide long reliable life.

5 Year Limited Warranty

**ELECTRICAL AND ENVIRONMENTAL SPECIFICATIONS:**

	<b>SENPIR-HB-01</b>	<b>SENPIR-HB-04</b>
<b>INPUT VOLTAGE:</b>	120/277/347 VAC	480VAC
<b>FREQUENCY:</b>	50/60 Hz	50/60 Hz
<b>OPERATING TEMPERATURE::</b>	-10°C to 70°C/14°F to 160°F	-10°C to 70°C/14°F to 160°F
<b>MAX. CASE TEMPERATURE:</b>	75°C	75°C
<b>RELATIVE HUMIDITY:</b>	20 – 85 %	20 – 85 %
<b>POWER CONSUMPTION:</b>	2W @ 120V,1W @ 277V	8W@347V/.6W@480V
<b>LOAD RATINGS:</b>	120/277/347 VAC. 800VA@120VAC, 1200VA@277VAC, 1500VA@347V 1/4 HP Load @ 120V	2000VA@480VAC
<b>COVERAGE:</b>	Line of Sight Distance up to 35 Feet ( Object and Environment Dependant) Interchangeable Lens for 360 Degree Hi Bay Circular (white color), Aisle Way (black color) Patterns and Low Bay Circular 360° (blue color).	
<b>MOUNTING:</b>	½" Knockout (7/8" OD) with double D sides to prevent turning if used.	

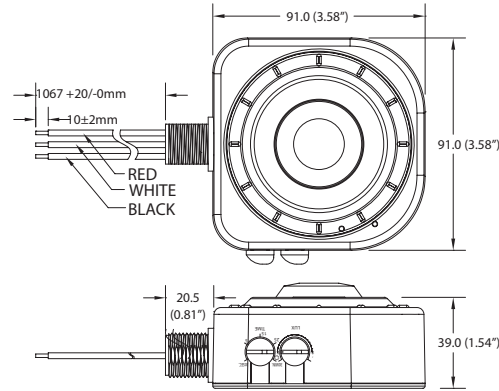
**MECHANICAL SPECIFICATIONS:**

<b>CASE:</b>	White High Impact Injected molded plastic
<b>DIMENSIONS:</b>	91mm (w) X 91mm (h) X 39mm (t) 3.58"(w) X 3.58"(h) X 1.54 (t)
<b>INPUT WIRES:</b>	Black, White, UL1316, #18AWG,105C, 600V PVC Solid, 42" long
<b>OUTPUT WIRES:</b>	Red, UL1316, #18AWG, 105C, 600V, PVC Solid, 42" long

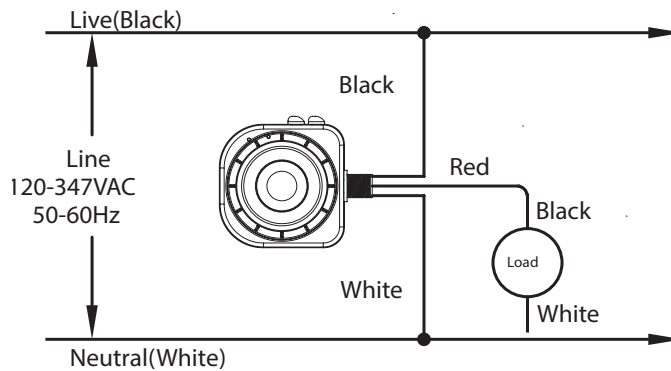
**HIGH BAY PIR OCCUPANCY SENSORS**

Line Voltage Sensors

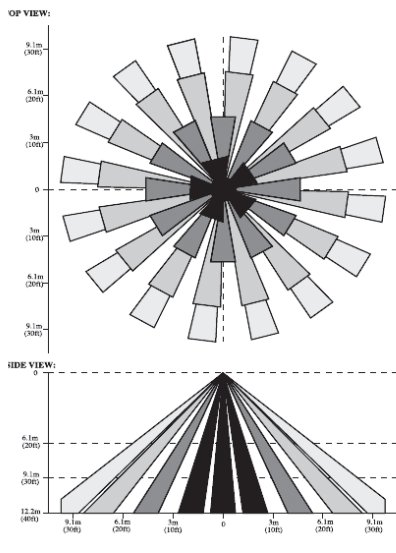
**Drawing for 120-347V - SENPIR-HB-01**



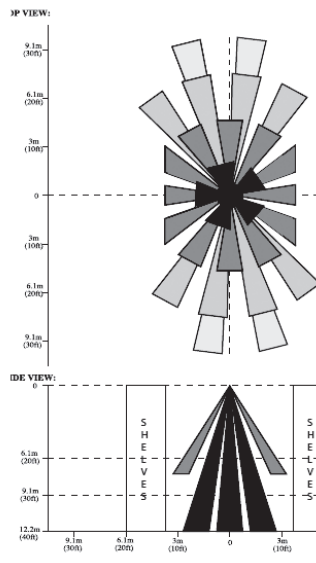
**Wiring Diagram 120-277-347V - SENPIR-HB-01**



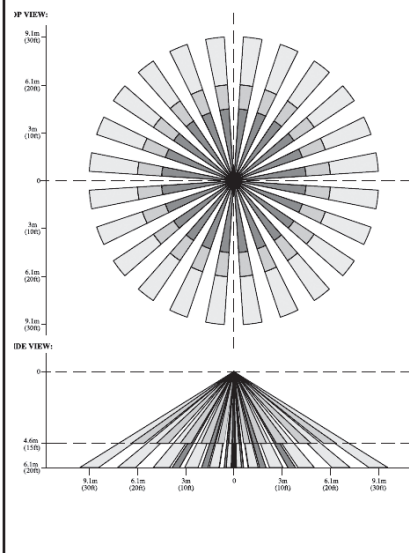
**SENPIR-LENS-HB  
High Bay 360° Field of View**



**SENPIR-LENS-AI  
Aisle Field of View**



**SENPIR-LENS-LB (OPTIONAL)  
Low Bay 360° Field of View**



FOR MORE INFORMATION PLEASE CALL 1-800-661-9610 (HEAD OFFICE) 1-888-762-5384 (USA)

PLEASE CONSULT THE FACTORY FOR MORE PRODUCTS AND CUSTOMIZATION.  
PRODUCT DETAILS AND SPECIFICATIONS ARE SUBJECT TO CHANGE WITHOUT NOTICE.

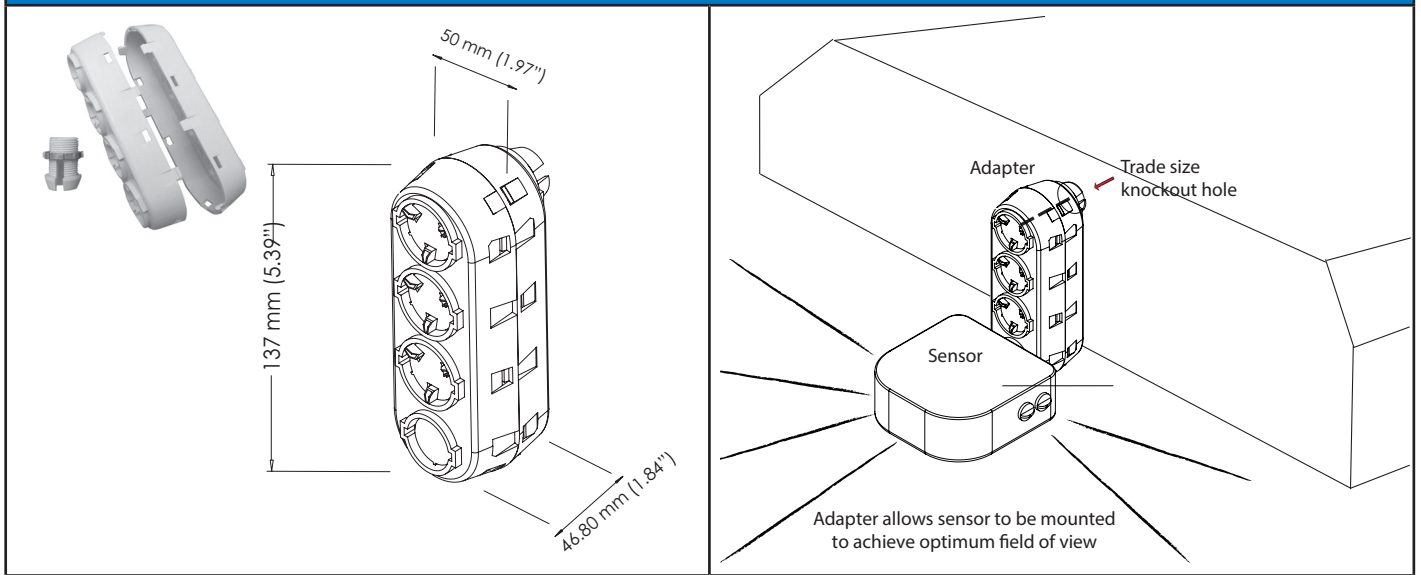


OFFSET EXTENSION BRACKET AND SHORT ADAPTER FOR PIR SENSORS

Line Voltage Sensors

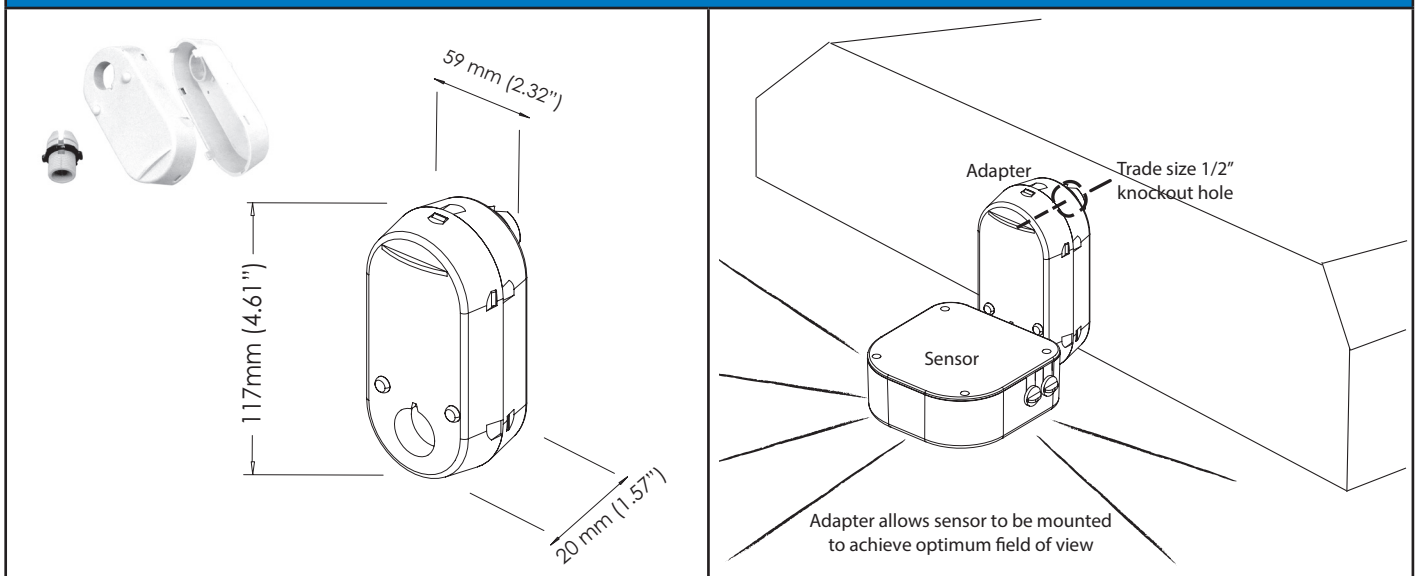
In cases where the direct line of sight is obstructed, these offset extension brackets can be used to extend the sensor downward to gain a clear line of sight. The bracket is designed to fit into the fixture 1/2" KO (0.875" dia. hole).

SENPIR-HBW-OB - MULTI POSITION LONG OFFSET BRACKET



The bracket has 3 positions that can be used to mount the sensor and offers the greatest mounting flexibility. The bracket is designed to protect and allow the wires to pass through directly into the fixtures.

SENPIR-HB-OB2 - SHORT OFFSET BRACKET - SINGLE POSITION



The bracket has only one position which drops the sensor 2 3/4" from the KO center line. The bracket is designed to protect and allow the wires to pass through directly into the fixture.

**CEILING MOUNT SENSORS**

**Ceiling Mounted PIR Occupancy Sensors**

The Etlin-Daniels SENPIR-CM-01 Ceiling Mounted PIR Occupancy Sensor is designed to replace a standard light or fan switch. It is ideal for applications including Private Offices, Conference Rooms, Break Rooms, Washrooms, Classrooms, Lounges and Storage Areas. The Etlin-Daniels SENPIR-CM-01 with built in (Auto ON/OFF) detects changes within the infrared given off by occupants as they move around the field-of-view. When occupancy is detected, the self-contained relay, switches the lighting load on. The sensor is line powered and can switch line voltage.

- Windows, Glass Doors, and other transparent barriers may obstruct the sensor's view and prevent detection
- Time Delay Adjustment - Fixed 15 seconds to 30 minutes
- Tools required for installation - Insulated Screwdriver and Wire Strippers



**FEATURES AND BENEFITS**

Ceiling Mounted PIR Occupancy Sensor
Auto ON/OFF • Net Weight - 5.64oz
PIR Timer is Programmable from 15sec to 30mins
White Plastic Construction
10ft to 15ft (3.05m to 4.60m) mounting heights
10ft to 20ft (3m to 6.10m) radial coverage
Radial Coverage Overlaps area lit by typical Fixture
The coverage area is measured under best temperature conditions +20°C - +25°C (+68°F - +77°F). A higher temperature may not lead to an ideal coverage
Coverage Range - Up to 15 ft mounting - 360 Degrees
3 year warranty

**ELECTRICAL AND ENVIRONMENTAL SPECIFICATIONS:**

SENPIR-CM-01	
<b>INPUT VOLTAGE:</b>	120/277 VAC
<b>FREQUENCY:</b>	50/60 Hz
<b>OPERATING TEMPERATURE::</b>	-0°C to +55°C/32°F to +131°F
<b>LOAD HORSEPOWER:</b>	1/6 HP
<b>OPERATION HUMIDITY:</b>	95 % RH, NON-CONDENSING
<b>POWER CONSUMPTION:</b>	1.5W
<b>LOAD REQUIREMENTS:</b>	120~800W INCANDESCENT LAMP. 800VA FLUORESCENT LAMP 277V~1200VA FLUORESCENT
<b>COVERAGE:</b>	UP TO 15 FT MOUNTING / 360 DEGREES.
<b>TIME DELAY ADJUSTMENT:</b>	Fixed 15 Seconds 30 Minutes

**MECHANICAL SPECIFICATIONS:**

<b>CASE:</b>	White Plastic Construction
<b>DIMENSIONS:</b>	59.94 mm (2.36") X 124.96 mm (4.92")
<b>TERMINAL LINE:</b>	Black - Hot, White - Neutral, Red - Load
<b>CONTROL TYPE:</b>	(Auto ON / OFF) Detects Changes within the infrared Energy Given off by Occupants

**FOR MORE INFORMATION PLEASE CALL 1-800-661-9610 (HEAD OFFICE) 1-888-762-5384 (USA)**

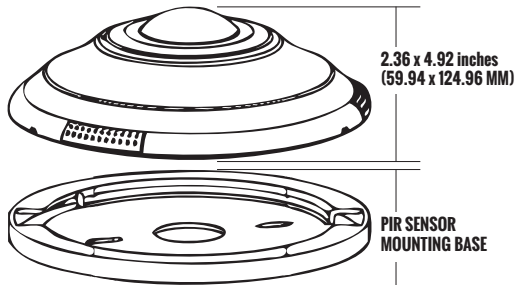
PLEASE CONSULT THE FACTORY FOR MORE PRODUCTS AND CUSTOMIZATION.  
PRODUCT DETAILS AND SPECIFICATIONS ARE SUBJECT TO CHANGE WITHOUT NOTICE.



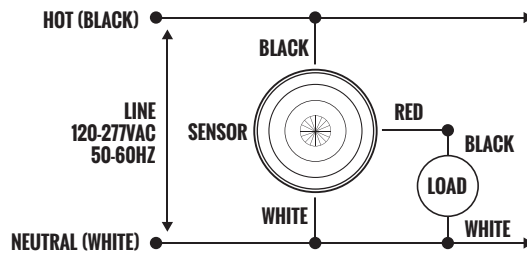
CEILING MOUNT SENSORS

Ceiling Mounted PIR Occupancy Sensors

Drawing for 120-277V - SENPIR-CM-01

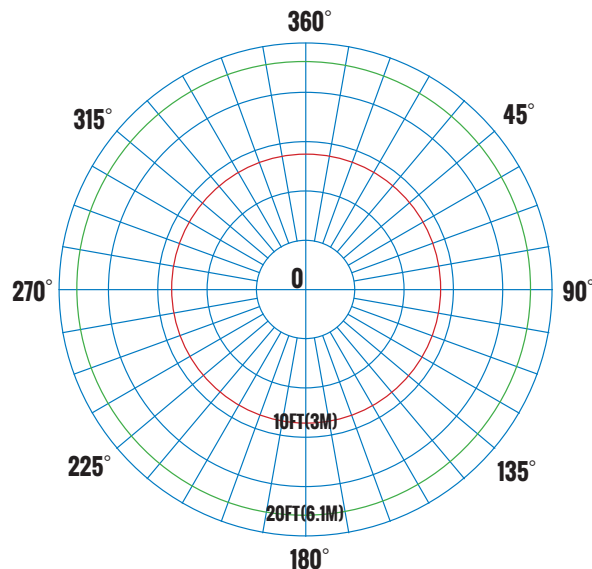


Wiring Diagram 120-277 - SENPIR-CM-01



Radial Coverage Area - SENPIR-CM-01

- 10FT (3M)
- 20FT (6.1M)





# MINIATURE LAMPHOLDERS

## SECTION Q MINIATURE LAMPHOLDERS

MINIATURE LAMPHOLDERS GUIDE	Q1 - Q2
MINIATURE BAYONET BASE	Q3 - Q5
CANDELABRA SCREW BASE	Q6
MINIATURE BAYONET BASE	Q7 - Q8
CANDELABRA BAYONET	Q8 - Q10
HALOGEN CANDELABRA BAYONET	Q12
MINIATURE WEDGE BASE	Q12 - Q13
MINIATURE HALOGEN G4 BIPIN	Q14
THREADED BUSHING SOCKETS	Q15
PLUG BUTTON SOCKET	Q15
REFLECTOR ASSEMBLIES	Q16



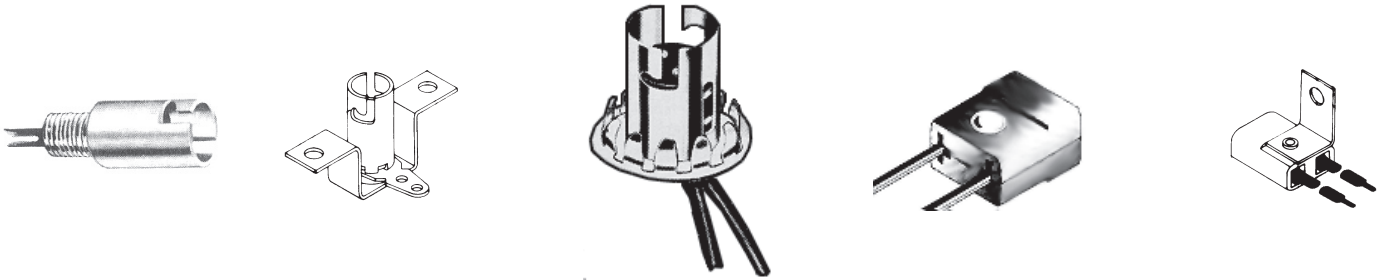
*ELECTRICAL DEVICES INC.*

# MINIATURE LAMPHOLDERS

Q1

## MINIATURE LAMPHOLDERS SELECTION GUIDE

MINIATURE LAMPHOLDERS



**UL** # E163296 Vol - 1

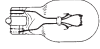
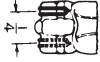
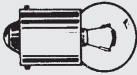




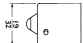
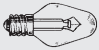


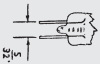
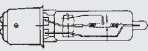

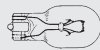
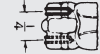

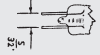
**UL** # E163296 Vol - 2

**CS** # 029592

LAMPHOLDERS	LAMP TYPE	MAX VOLTAGE	SHELL	BRACKET	TERMINATION	PAGE
02-00	Miniature Bayonet	125V	Steel	Insulated	2 Wire Leads	Q3
02-00-1	Miniature Bayonet	12V	Steel	Grounded	1 Wire Lead	Q3
03-00	Miniature Bayonet	125V	Brass	Insulated	2 Wire Leads	Q4
04-00	Candelabra Screw	125V	Brass	Insulated	2 Wire Leads	Q5
07-00	Miniature Bayonet	125V	Steel	Insulated	2 Solder Lugs	Q7
07-00-1	Miniature Bayonet	12V	Steel	Grounded	1 Solder Lug	Q7
10-00	Candelabra Bayonet, Single Contact	12V	Steel	Insulated	2 Solder Lugs	Q8
10-00-1	Candelabra Bayonet, Single Contact	12V	Steel	Grounded	1 Solder Lug	Q8
11-200	Candelabra Bayonet, Single Contact	12V	Steel	Grounded	1 Wire Lead	Q9
12-200	Candelabra Bayonet, Double Contact	125V	Steel	Grounded	2 Wire Leads	Q9
22-00	Candelabra Bayonet, Halogen	125V	Steel	Grounded	2 Wire Leads	Q11
23-00	T3 1/4 Wedge Base	28V	Plastic	Insulated	2 Solder Lugs	Q12
23-200	T3 1/4 Wedge Base	28V	Plastic	Insulated	2 Wire Leads	Q12
27-00	G4 Two Pin, Halogen	14V	Ceramic	Insulated	2 Male Tabs	Q14
27VC-200	G4 Two Pin, Halogen	14V	Plastic	Insulated	2 Wire Leads	Q14
	Threaded Bushing Sockets	-	-	-	-	Q15
	Plug Button Sockets	-	-	-	-	Q15
	Reflector Assemblies	-	-	-	-	Q16

# MINIATURE LAMPHOLDERS

## MINIATURE LAMPHOLDERS SELECTION GUIDE

LAMP TYPE	LAMP STYLE	LAMP BASE	VOLTAGE RANGE	LAMPHOLDERS SERIES	SHELL	BRACKET	TERMINATION	PAGE
<b>INCANDESCENT SERIES</b>								
T-3 / Wedge Base			6.3 - 28V	23 - 00 23 - 200	Plastic Plastic	Insulated Insulated	2 Solder Lugs 2 Wire Leads	Q12 Q12 Q12 Q12
Miniature Bayonet			1.25 - 125V	02 - 00 02 - 00 - 1 03 - 00 07 - 00 07 - 00 - 1	Steel Steel Brass Steel Steel	Insulated Grounded Insulated Insulated Grounded	2 Wire Leads 1 Wire Lead 2 Wire Leads 2 Solder Lugs 1 Solder Lug	Q3 Q3 Q4 Q7 Q7
Candelabra Bayonet (Double Contact)			2.4 - 125V	12 - 200	Steel	Grounded	2 Wire Leads	Q9
Candelabra Bayonet (Single Contact)			4 - 125V	10 - 00 10 - 00 - 1 11 - 200	Steel Steel Steel	Insulated Grounded Grounded	2 Solder Lugs 1 Solder Lug 1 Wire Lead	Q8 Q8 Q9
Candelabra Screw			4 - 125V	04 - 00	Brass	Insulated	2 Wire Leads	Q5
<b>Halogen Series</b>								
G4 Two Pin			5 - 14V 5 - 14V	27 - 00 27VC - 200	Ceramic Plastic	Insulated Insulated	2 Male Tabs 2 Wire Leads	Q14 Q14
Candelabra Bayonet (Double Contact)			30 - 125V	22 - 00	Steel	Grounded	2 Wire Leads	Q11
<b>Reflectolite Series - Lampholder and Reflector Assemblies for Most Series of Sockets</b>								
PAR 18-2 1/4" dia. REFLECTOR ASSEMBLED		T3  WEDGE BASE	6.3 - 28V	23 and 27VC Series of Lampholders	Plastic	Insulated	Wire Leads	Q16
		G4  TWO PIN	5V - 14V					

FOR MORE INFORMATION PLEASE CALL 1-800-661-9610 (HEAD OFFICE) 1-888-762-5384 (USA)

PLEASE CONSULT THE FACTORY FOR MORE PRODUCTS AND CUSTOMIZATION.  
PRODUCT DETAILS AND SPECIFICATIONS ARE SUBJECT TO CHANGE WITHOUT NOTICE.

ELECTRICAL DEVICES INC.

# MINIATURE LAMP HOLDERS

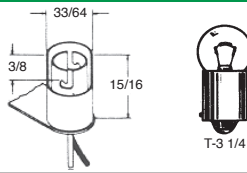
Q3

## MINIATURE BAYONET BASE

02 - Series

### 02-00 Series 75W 125V

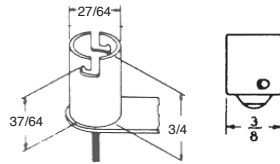
Miniature Bayonet Lampholders - Steel Shell Insulated, 2 Wire Leads



- For miniature bayonet incandescent lamps, plated steel shell.
- For series 02 wire leads are AWM-1007/TR64-90° C, .015" insulation.
- Other wire types and terminations are available upon request.
- Standard leads are 22AWG black & white, 6" long; stripped 1/2".
- If you require wire lead length different than the standard 6" length, add it to the end of the part number (in inches) preceded by hyphen.
- Bracket is insulated from the shell on series 2-00.
- Mounting brackets are made from .03"T x .44"W steel, zinc plated; unless otherwise specified
- All mounting holes are .17"DIA & slots are .17"W x .86"L, unless otherwise specified
- These brackets and others which are not shown, can be interchanged with series shown on this page.

### 02-00-1 Series 25W 12V

Miniature Bayonet Lampholders - Steel Shell Grounded, 1 Wire Lead Ground Wire Available Upon Request



**TO ORDER:** use the number of the bracket type desired to replace the zeros in the series number. For example, bracket 08 would be specified in each series as follows: 02-08, 02-08-1.



MINIATURE LAMP HOLDERS

		<table border="1"> <thead> <tr> <th>Bracket No.</th> <th>"A" Dimension</th> </tr> </thead> <tbody> <tr> <td>-14</td> <td>7/8"</td> </tr> <tr> <td>-82</td> <td>1"</td> </tr> <tr> <td>-15</td> <td>1 1/4"</td> </tr> <tr> <td>-18</td> <td>1 1/2"</td> </tr> </tbody> </table> <p>Maximum panel thickness .045". Units can be modified to suit.</p>		Bracket No.	"A" Dimension	-14	7/8"	-82	1"	-15	1 1/4"	-18	1 1/2"
Bracket No.	"A" Dimension												
-14	7/8"												
-82	1"												
-15	1 1/4"												
-18	1 1/2"												

ALL OF THE ABOVE BRACKETS AND MANY OTHERS ARE AVAILABLE ON ANY OF THE ABOVE SERIES. NOTE: J SLOT ORIENTATION IS RANDOM UNLESS OTHERWISE SPECIFIED.

# MINIATURE LAMP HOLDERS

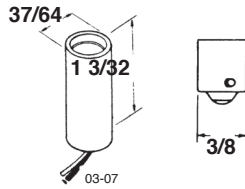
## MINIATURE BAYONET BASE

## 03 - Series

Q4

### 03-00 Series 75W 125V

Miniature Bayonet Lampholders - Insulated Mounting Bracket, 2 Wire Leads



- For miniature bayonet base incandescent lamps.
- High strength molded plastic outer housing with brass shell.
- Wire leads are AWM-1015/TEW-105° C, .03" insulation. other wire types and terminations are available upon request.
- Standard leads are 22AWG black & white, 6" long; stripped 1/2".
- If you require wire lead length different than the standard 6" length, add it to the end of the part number (in inches) preceded by hyphen.
- Bracket is insulated from the shell.
- Mounting brackets are made of .03"T x .50"W steel zinc plated; unless otherwise specified.
- All mounting holes are .17" DIA & slots are .17"W x .86"L, unless otherwise specified
- These brackets and others which are not shown, can be interchanged with the series shown on this page.

**TO ORDER:** use the number of the bracket type desired to replace the zeros in the series number. For example, bracket 13 would be specified in each series as follows: 03-13.




MINIATURE LAMP HOLDERS

FOR MORE INFORMATION PLEASE CALL 1-800-661-9610 (HEAD OFFICE) 1-888-762-5384 (USA)

PLEASE CONSULT THE FACTORY FOR MORE PRODUCTS AND CUSTOMIZATION. PRODUCT DETAILS AND SPECIFICATIONS ARE SUBJECT TO CHANGE WITHOUT NOTICE.

ELECTRICAL DEVICES INC.

# MINIATURE LAMPHOLDERS

Q5

## MINIATURE BAYONET BASE - Continued

03 - Series

MINIATURE LAMPHOLDERS

**-30**      **-30BN**      **-37**

**-45**      **FOR REVERSE SPECIFY -46**

**MOUNTING HOLE DIAGRAM**

Bracket No.	"A" Dimension
-82	15/16"
-15	1-5/32"
-18	1-13/32"

Maximum panel thickness .045". Units can be modified to suit.

ALL OF THE ABOVE BRACKETS AND MANY OTHERS ARE AVAILABLE ON ANY OF THE ABOVE SERIES.  
 NOTE: J SLOT ORIENTATION IS RANDOM UNLESS OTHERWISE SPECIFIED.

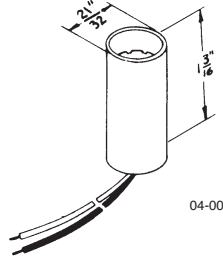
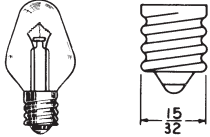


# MINIATURE LAMP HOLDERS

## CANDELABRA SCREW BASE

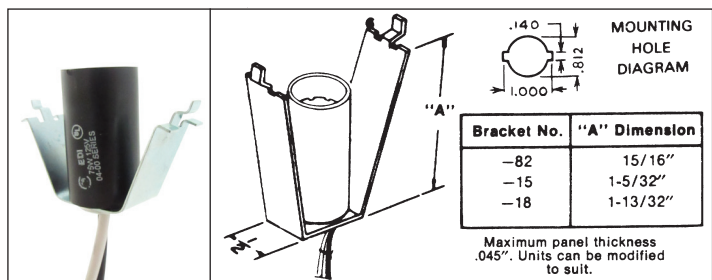
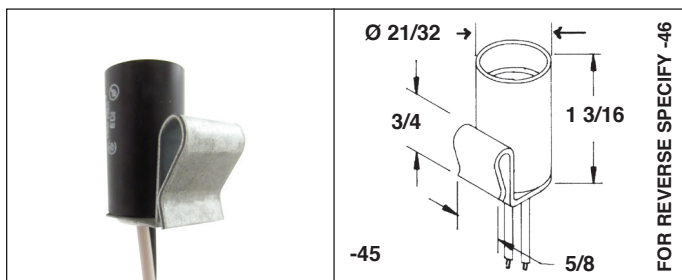
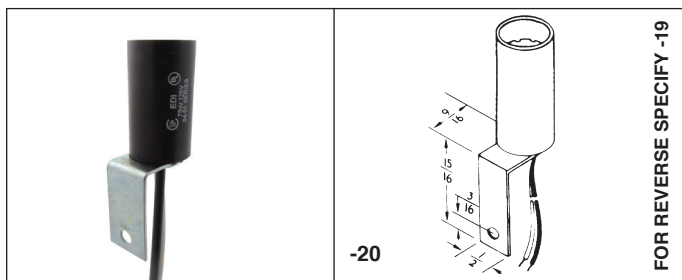
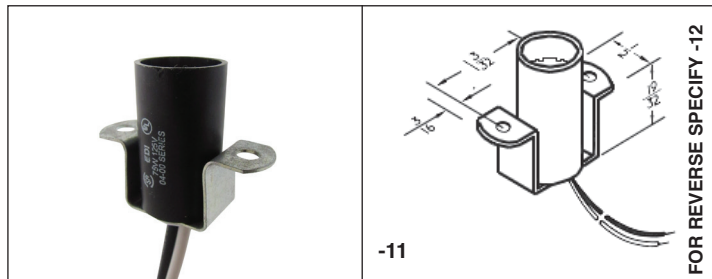
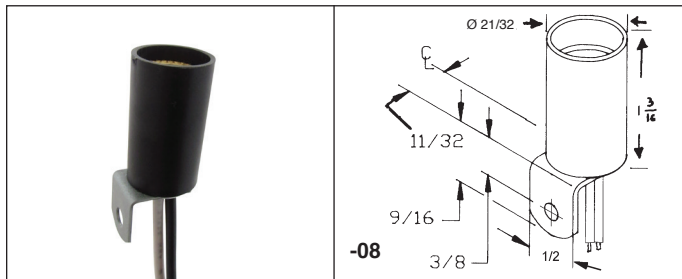
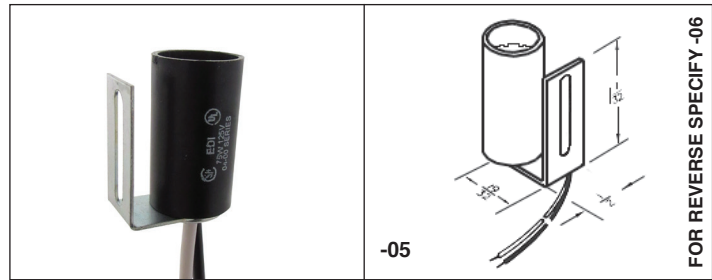
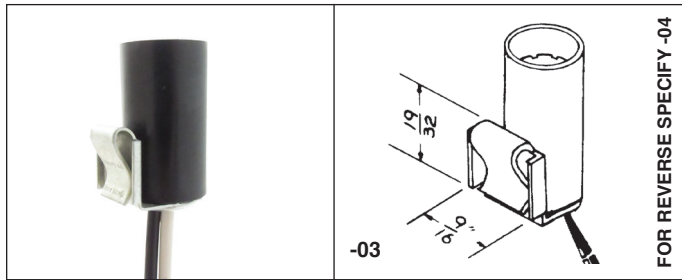
## 04 - Series

**04-00 Series 75W 125V**  
 Candelabra Screw  
 Base Lampholders -  
 Insulated Mounting Bracket, 2 Wire Leads,  
 Heavy Duty Molded Housing



- For candelabra screw base incandescent lamps.
- High strength molded plastic outer housing with brass screw shell
- Wire leads are AWM-1015/TEW-105° C, .03" insulation. Other wire types and terminations are available upon request.
- Standard leads are 18AWG black & white, 6" long; stripped 1/2".
- if you require wire lead length different than the standard 6" length, add it to the end of the part number (in inches) preceded by hyphen.
- Bracket is insulated from the shell.
- Mounting brackets are made from .03"T x .50"W steel, zinc plated; unless otherwise specified.
- all mounting holes are .17" DIA & slots are .17"W x .86"L, unless otherwise specified.

**TO ORDER:** use the number of the bracket type desired to replace the zeros in the series number.  
 For example, bracket 08 would be specified as: 04-08.



**ALL OF THE ABOVE BRACKETS AND MANY OTHERS ARE AVAILABLE ON ANY OF THE ABOVE SERIES.**  
**NOTE: J SLOT ORIENTATION IS RANDOM, UNLESS OTHERWISE SPECIFIED.**

FOR MORE INFORMATION PLEASE CALL 1-800-661-9610 (HEAD OFFICE) 1-888-762-5384 (USA)

PLEASE CONSULT THE FACTORY FOR MORE PRODUCTS AND CUSTOMIZATION.  
 PRODUCT DETAILS AND SPECIFICATIONS ARE SUBJECT TO CHANGE WITHOUT NOTICE.

ELECTRICAL DEVICES INC.

# MINIATURE LAMP HOLDERS

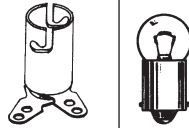
Q7

## MINIATURE BAYONET BASE

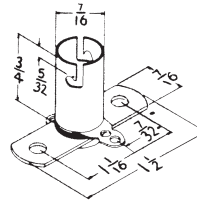
07 - Series

### 07-00 Series 10W 50V

Miniature Bayonet Base  
Lamp Holders  
Insulated Mounting  
Bracket, 2 Solder Lugs



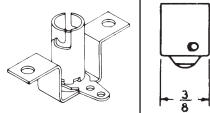
07-59



- For miniature bayonet incandescent lamps.
- Socket body is steel zinc plated.
- All terminals are tinned steel for easy soldering of wire connections.
- Terminals are placed approximately 60 to 90 degrees apart, they can be positioned to your specific requirements upon request.
- Mounting brackets are made from .03" T x .44" W steel, zinc plated; unless otherwise specified.
- Bracket is insulated from the shell on series 2-00.
- Mounting brackets are made from .03" T x .44" W steel, zinc plated; unless otherwise specified.
- All mounting holes are .17" DIA & slots are .17" W x .86" L, unless otherwise specified.
- These brackets and others which are not shown, can be interchanged with series shown on this page.

### 07-00-1 Series 10W 50V

Miniature Bayonet Base  
Lamp Holders  
Grounded Mounting  
Bracket, 1 Solder Lug



3/8

**TO ORDER:** use the number of the bracket type desired to replace the zeros in the series number.  
For example, bracket 11 would be specified in each series as follows: 07-11, 07-11-1.

				<b>FOR REVERSE SPECIFY -06</b>



# MINIATURE LAMP HOLDERS

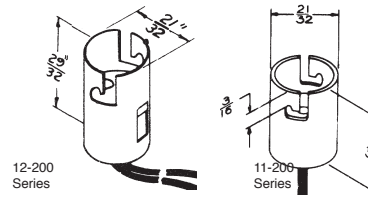
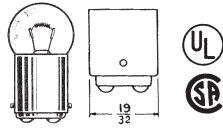
Q9

## CANDELABRA BAYONET

11 & 12 - Series

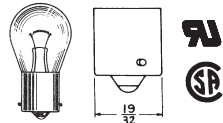
### 12-200 Series 75W 125V

Candelabra Bayonet -  
Double contact, 2 wire leads.  
Mounting bracket and shell are grounded independent of contacts



### 11-200 Series 25W 12V

Candelabra Bayonet -  
Single contact, 1 wire lead  
Grounded mounting bracket and shell



- For candelabra bayonet incandescent lamps, plated steel shells.
- Wire leads are AWM-1015/TEW-105° C, .03" insulation. Other wire types and terminations are available upon request.
- Standard leads are 18AWG black, 6" long; stripped 1/2".
- If you require wire lead length different than the standard 6" length, add it to the end of the part number (in inches) preceded by hyphen.
- Mounting brackets are made from .03" T x .63" W steel, zinc plated; unless otherwise specified.
- All mounting holes are .17" DIA & slots are .17" W x .42" L, unless otherwise specified
- These brackets and others which are not shown, can be interchanged with the series shown on this page

**TO ORDER:** use the number of the bracket type desired to replace the zeros in the series number.  
For example, bracket 226 would be specified in each series as follows: 12-226, 11-226.



MINIATURE LAMP HOLDERS

# MINIATURE LAMPHOLDERS

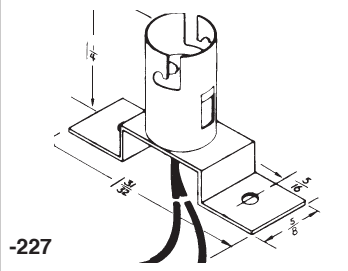
## CANDELABRA BAYONET - Continued 11 & 12 - Series


Q10

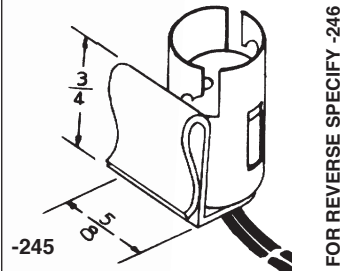
MINIATURE LAMPHOLDERS




**-227**



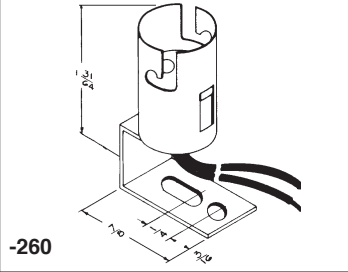





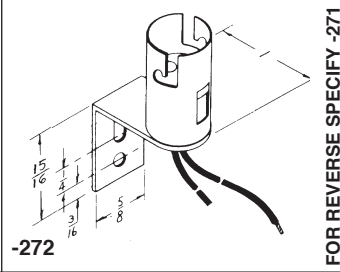
FOR REVERSE SPECIFY -246




**-260**



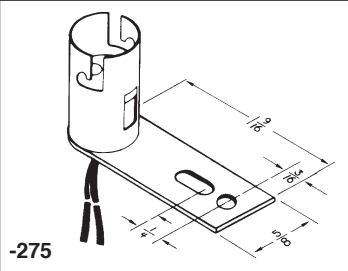


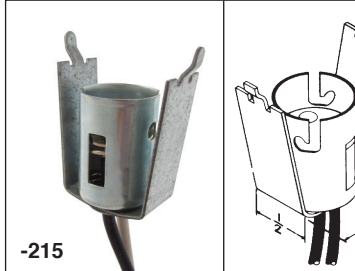


FOR REVERSE SPECIFY -271

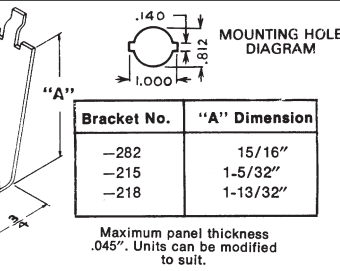


**-275**





**-215**



MOUNTING HOLE DIAGRAM

Bracket No.	"A" Dimension
-282	15/16"
-215	1-5/32"
-218	1-13/32"

Maximum panel thickness .045". Units can be modified to suit.



**-230**



**-230BN**



**-240**



**-240XT**

MOUNTING HOLE: 15/16" DIA.



**-207XT1**

ALL OF THE ABOVE BRACKETS AND MANY OTHERS ARE AVAILABLE ON ANY OF THE ABOVE SERIES.  
NOTE: J SLOT ORIENTATION IS RANDOM UNLESS OTHERWISE SPECIFIED.

FOR MORE INFORMATION PLEASE CALL 1-800-661-9610 (HEAD OFFICE) 1-888-762-5384 (USA)

PLEASE CONSULT THE FACTORY FOR MORE PRODUCTS AND CUSTOMIZATION.  
PRODUCT DETAILS AND SPECIFICATIONS ARE SUBJECT TO CHANGE WITHOUT NOTICE.

ELECTRICAL DEVICES INC.





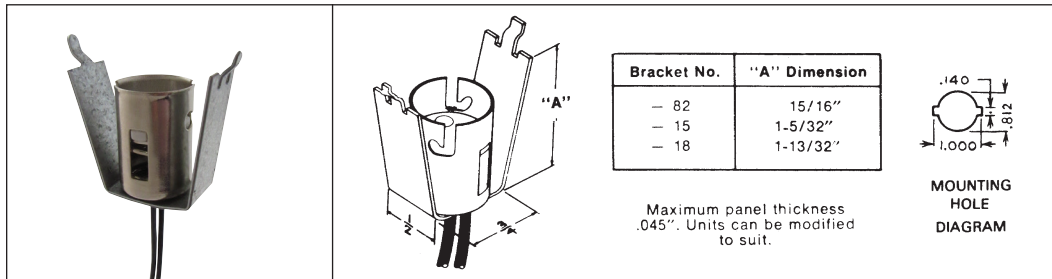
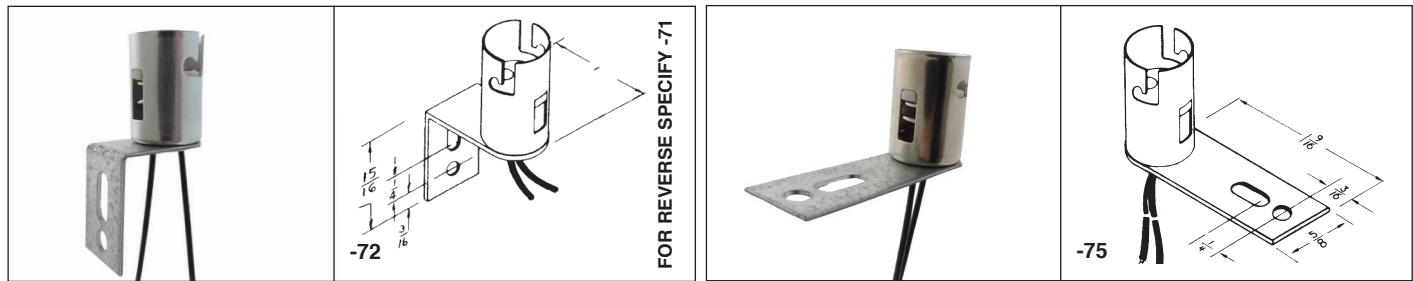


# MINIATURE LAMP HOLDERS

## HALOGEN CANDELABRA BAYONET - Continued 22 - Series



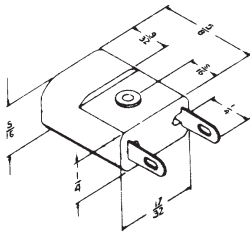



Q12

MINIATURE LAMP HOLDERS

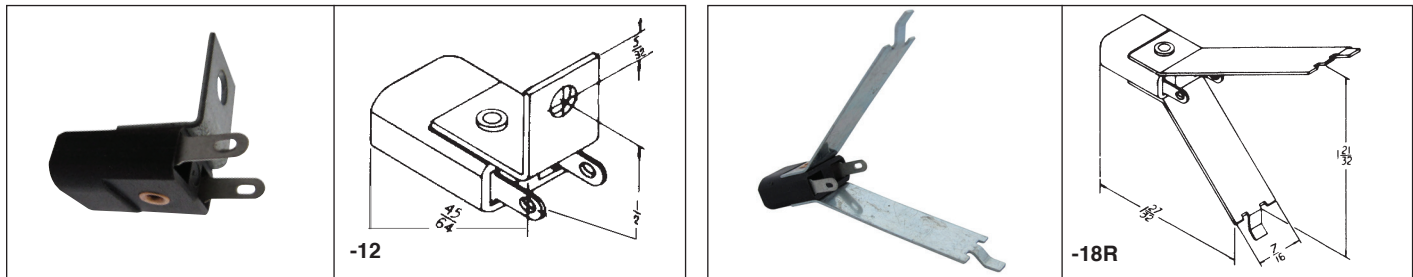


For other bracket types please call the factory. Note: J slot orientation is random unless otherwise specified.

## MINIATURE WEDGE BASE 23 - Series

<p><b>23-00 Series 28V</b>                  Miniature Wedge Base Lampholders -                  Insulating mounting bracket,                  2 solder terminals.</p>			 <p>-07</p>	
<p><b>23-200 Series 28V</b>                  Miniature Wedge Base Lampholders -                  Insulating mounting bracket, 2 wire leads.</p>			<ul style="list-style-type: none"> <li>- For low voltage miniature wedge incandescent lamps.</li> <li>- High strength molded plastic housing with plated brass contacts.</li> <li>- Wire leads are AWM-1007/TR64-90° C, .015" insulation. Other wire types and terminations are available upon request.</li> <li>- Standard leads are 22AWG black, 6" long; stripped 1/2".</li> <li>- if you require wire lead length different than the standard 6" length, add it to the end of the part number (in inches) preceded by hyphen</li> <li>- mounting brackets are made from .03"T x .44"W steel, zinc plated; unless specified</li> <li>- all mounting holes are .17" DIA &amp; slots are .17"W x .42"L, unless otherwise specified</li> <li>- these brackets and others which are not shown, can be interchanged with the series shown on this page</li> </ul>	

**TO ORDER:** use the number of the bracket type desired to replace the zeros in the series number. For example, bracket 12 would be specified in each series as follows: 23-12, 23-212.



**FOR MORE INFORMATION PLEASE CALL 1-800-661-9610 (HEAD OFFICE) 1-888-762-5384 (USA)**

PLEASE CONSULT THE FACTORY FOR MORE PRODUCTS AND CUSTOMIZATION. PRODUCT DETAILS AND SPECIFICATIONS ARE SUBJECT TO CHANGE WITHOUT NOTICE.


*ELECTRICAL DEVICES INC.*

# MINIATURE LAMPHOLDERS

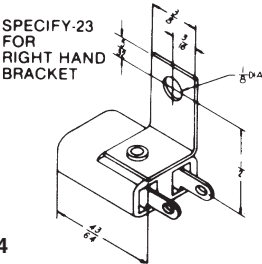
Q13

## MINIATURE WEDGE BASE - Continued 23 - Series


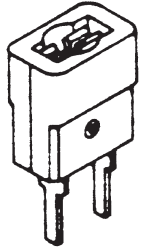
MINIATURE LAMPHOLDERS




SPECIFY-23  
FOR  
RIGHT HAND  
BRACKET



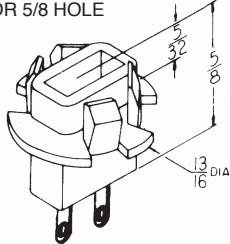
-24


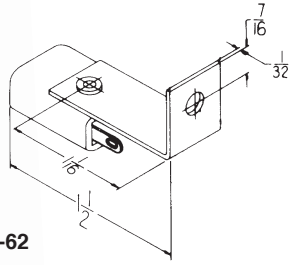
-35



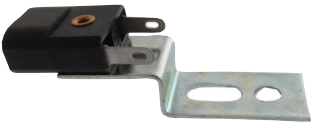
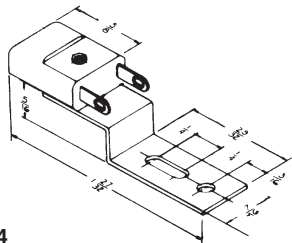
PLUG FOR 5/8 HOLE




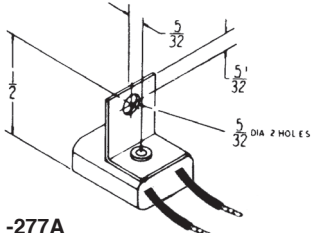
-40PL


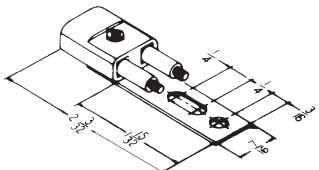
-62


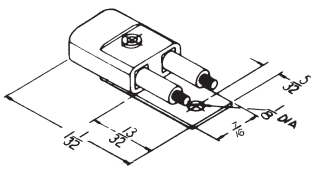
-74

-277A

-272N

-288

ALL OF THE ABOVE BRACKETS AND MANY OTHERS ARE AVAILABLE ON ANY OF THE ABOVE SERIES. MORE BRACKETS ON THE NEXT PAGE.

# MINIATURE LAMPHOLDERS

## HALOGEN G4 BI PIN LAMPHOLDERS 27 - Series

Q14

<p><b>27-00 Series 50W 14V</b> Halogen G4 Bi Pin Lampholders - Hi-heat ceramic housing. Insulated bracket, 2- .110 X .20 Male Tabs</p>			<ul style="list-style-type: none"> <li>- For low voltage halogen G4 bi-pin lamps, insulated brackets.</li> <li>- Hi-heat ceramic body and stainless steel contacts for long problem free life.</li> <li>- Mounting brackets are made from .03" T x .44" W steel, zinc plated; unless otherwise specified</li> <li>- All mounting holes are .17" DIA &amp; slots are .17" W x .42" L, unless otherwise specified</li> <li>- These brackets and others which are not shown, can be interchanged with the series shown on this page</li> <li>- a mounting bolt may be substituted for the eyelet, add "B" to the end of the part No.</li> </ul>

**TO ORDER:** use the number of the bracket type desired to replace the zeros in the series number.  
For example, bracket 23 would be specified in each series as follows: 27-23.



<p><b>-07</b></p>	<p><b>-23</b></p>	<p><b>-26</b></p>	<p><b>-07</b></p>	<p><b>-074</b></p>
-------------------	-------------------	-------------------	-------------------	--------------------

MINIATURE LAMPHOLDERS

## HALOGEN G4 BI PIN LAMPHOLDERS 27VC - Series

	<p><b>27VC-200 Series 20W 14V</b> Halogen G4 Bi-Pin Lampholders - Hi-heat plastic body. NEMA GRADE, G-10, 130°C Insulated bracket, 2 wire leads.</p>	
--	--	--

**TO ORDER:** use the number of the bracket type desired to replace the zeros in the series number.  
For example, bracket 12 would be specified in each series as follows: 27VC-212.



<p><b>-211</b></p>	<p><b>-212</b></p>	<p><b>-224</b></p>	<p><b>-274</b></p>	<p><b>-277R</b></p>
--------------------	--------------------	--------------------	--------------------	---------------------

**ALL OF THE ABOVE BRACKETS AND MANY OTHERS ARE AVAILABLE ON ANY OF THE ABOVE SERIES.**  
**NOTE: J SLOT ORIENTATION IS RANDOM UNLESS OTHERWISE SPECIFIED.**

**FOR MORE INFORMATION PLEASE CALL 1-800-661-9610 (HEAD OFFICE) 1-888-762-5384 (USA)**

PLEASE CONSULT THE FACTORY FOR MORE PRODUCTS AND CUSTOMIZATION.  
PRODUCT DETAILS AND SPECIFICATIONS ARE SUBJECT TO CHANGE WITHOUT NOTICE.

*ELECTRICAL DEVICES INC.*

## MINIATURE LAMPHOLDERS

Q15

### THREADED BUSHING SOCKETS

The threaded bushing mount lampholder has several advantages over brackets or clip-on mounting systems. They offer the security of a substantial threaded bushing and lock nut. For applications where space is at a premium, this type offers an easy assembly method into a compact space.



PART NO.	LAMP TYPE	THREAD TYPE	THREAD LENGTH	O.D	GRD. SHELL	LEADS	UL / CSA
03-30 BN	Miniature Bayonet	1/8-27NPSM	1/4	9/16	NO	2	YES
04-30 BN	Candelabra Screw	1/8-27NPSM	1/4	21/32	YES	2	YES
11-230 BN	SC Candelabra Bayonet	1/8-27NPSM	1/4	21/32	YES	1	YES
12-230 BN	DC Candelabra Bayonet	1/8-27NPSM	1/4	21/32	NO	2	YES
22-30 BN	DC Halogen Cand Bay	1/8-27NPSM	1/4	21/32	NO	2	YES

### PLUG BUTTON SOCKET

The plug-button mounted system offers a simple method for mounting almost all ELECTRICAL DEVICES INC. lampholders. They snap-in easily and securely into place. They are easily removed for system disassembly or lamp replacement.



PART NO.	LAMP TYPE	STANDARD PLUG	PLUG O.D. HEAD DIAMETER	MOUNTING HOLE	TERMINATIONS	UL / CSA
03-40	Miniature Bayonet	P15	1 5/32"	15/16"	2 wire leads	YES
04-40	Candelabra Screw	P15	1 5/32"	15/16"	2 wire leads	YES
11-240	SC Candelabra Bayonet	P15	1 5/32"	15/16"	1 wire leads	YES
11-240XT	SC Candelabra Bayonet	P15	1 5/32"	15/16"	1 wire leads	YES
12-240	DC Candelabra Bayonet	P15	1 5/32"	15/16"	2 wire leads	YES
12-240XT	DC Candelabra Bayonet	P15	1 5/32"	15/16"	2 wire leads	YES
22-40	DC Halogen Cand Bay	P15	1 5/32"	15/16"	2 wire leads	YES
22-40XT	DC Halogen Cand Bay	P15	1 5/32"	15/16"	2 wire leads	YES
23-240PL	T3/4 Wedge Base	P10	1 3/16"	5/8"	2 wire leads	YES

FOR MORE INFORMATION PLEASE CALL 1-800-661-9610 (HEAD OFFICE) 1-888-762-5384 (USA)

ELECTRICAL DEVICES INC.

PLEASE CONSULT THE FACTORY FOR MORE PRODUCTS AND CUSTOMIZATION.  
PRODUCT DETAILS AND SPECIFICATIONS ARE SUBJECT TO CHANGE WITHOUT NOTICE.

# MINIATURE LAMPHOLDERS

## REFLECTOR ASSEMBLIES

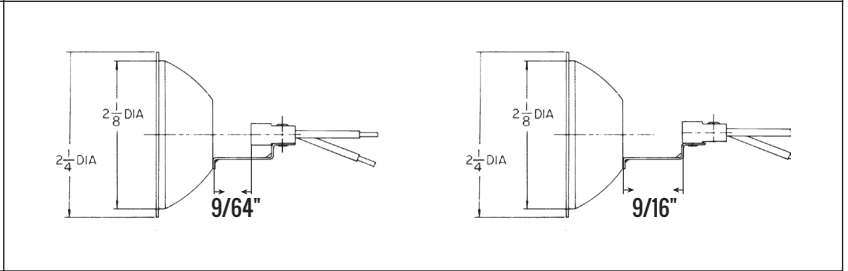
Q16

An important new development in high illumination lighting systems for a wide variety of industrial and commercial applications. Unique reflector systems offer the O.E.M. highly efficient, economical alternatives to sealed beam lighting for a number of uses such as emergency lighting or where rugged wear is required. They are available in three sizes: 2.250" dia. -PAR18, 2.875" dia. -PAR22 and 4.250" dia. -PAR36, accommodating Wedge Base, Bi-Pin Halogen. This allows for greater design flexibility as there are many readily available lamps. Special mounting brackets assure proper filament location and optimum light output. Contact factory or your local representative for prompt response.

### PAR18

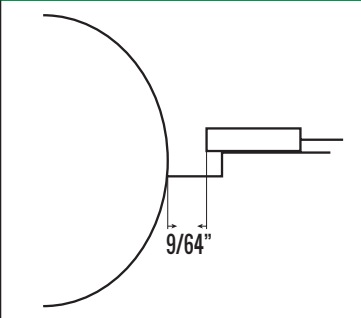
**2 1/4" Dia. Reflector Assembly**  
 For Use with T 3 1/4 Wedge Base or G4 Bi-Pin, Halogen.

- The PAR 18 reflector is a direct replacement for MR-16 type lamps.
- Can be supplied with bracket mounted sockets for T 3 1/4 wedge base and G4 Bi-Pin Halogen lamps.
- The position of the socket can be adjusted for desired beam position

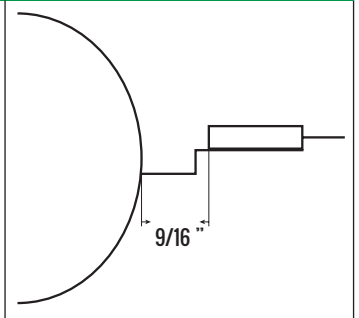


MINIATURE LAMPHOLDERS

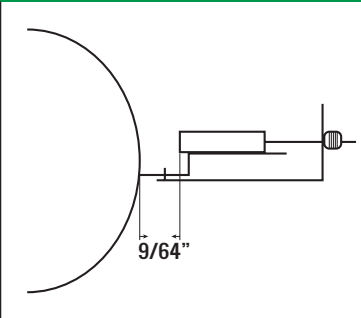
### 23-RFL3-XX / 27VC-RFL-XX



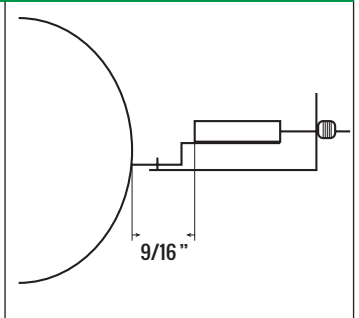
### 23-RFL3-L-XX / 27VC-RFL3-L-XX



### 23-RFL3-SB1.8-MN-XX / 27VC-RFL3-SB1.8-MN-XX



### 23-RFL3-L-SB1.8-MN-XX / 27VC-RFL3-L-SB1.8-MN-XX

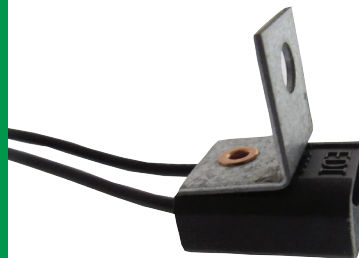
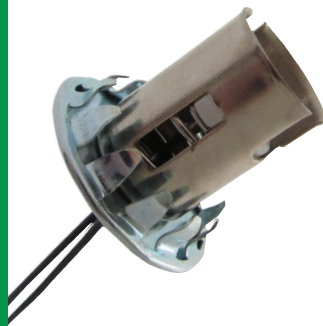


FOR MORE INFORMATION PLEASE CALL 1-800-661-9610 (HEAD OFFICE) 1-888-762-5384 (USA)

PLEASE CONSULT THE FACTORY FOR MORE PRODUCTS AND CUSTOMIZATION.  
 PRODUCT DETAILS AND SPECIFICATIONS ARE SUBJECT TO CHANGE WITHOUT NOTICE.

ELECTRICAL DEVICES INC.

**FOR  
CUSTOM  
ORDERS  
CONSULT  
FACTORY**



*ELECTRICAL DEVICES INC.*



## SECTION R INDICATOR LIGHTS

Rectangular Indicator Lights	R3
Round Indicator Lights	R4 - R6
Large Format Indicator Lights	R7
Round DC LED Indicator Lights	R8 - R10
Round AC LED Indicator Lights	R11 - R12
Flashing Series LED Lights	R13



# INDICATOR LIGHTS

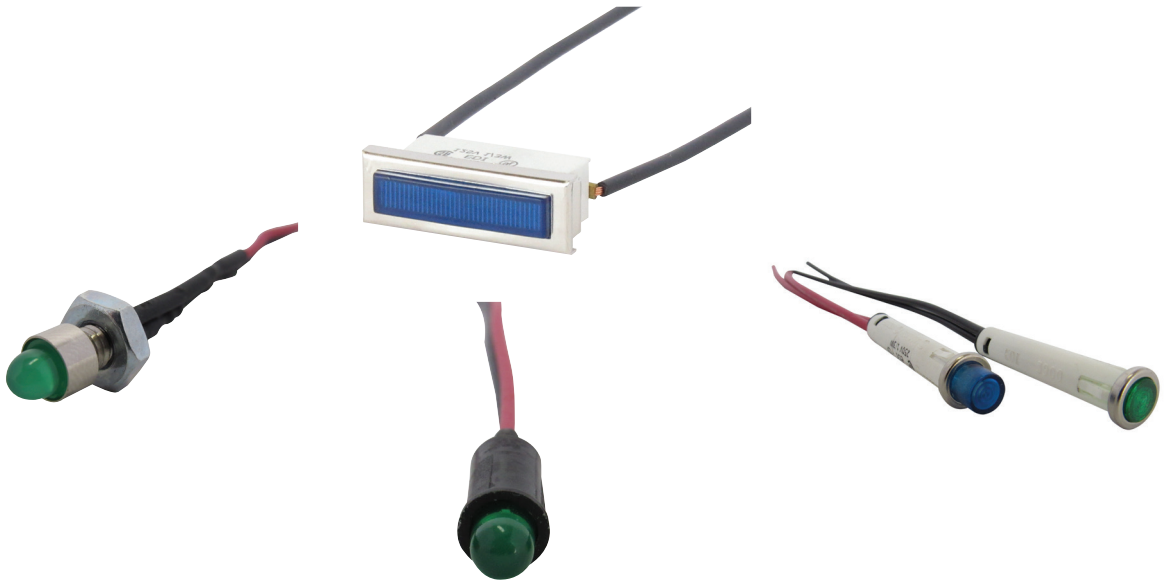
*ELECTRICAL DEVICES INC.*

# INDICATOR LIGHTS

R2

## SECTION T INDICATOR LIGHTS

INDICATOR LIGHTS



**RU** # E163296 - Vol:1

**UL** # E163296 - Vol:2

**SP** # 029592

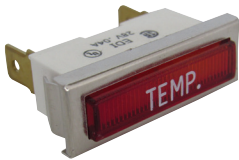
Indicator Lights	Type	Page
31, 31ML-2	Rectangular Indicator Lights	R3
32 Series	Round Indicator Lights for 1/2" dia. Holes	R4
39, 39U	Round Indicator Lights for 5/16" dia. Holes	R5
41, 65	Round Indicator Lights for 5/16" dia. Holes	R6
L32	Large Format Indicator Lights for 1/2" dia. Hole	R7
L39, L39U, L41	Round DC LED Indicator Lights for 5/16" dia. Hole	R8 - R9
L58	Round DC LED Indicator Lights for 5/16" dia. Hole & .196" dia. Hole	R9
L59U	Round DC LED Indicator Lights for .250" dia. Hole & .1/4" dia. Hole	R10
LA32	Round AC LED Indicator Lights for 1/2" dia. Hole	R11
LA39, LA39U, LA41	Round AC LED Indicator Lights for 5/16" dia. Hole	R11 - R12
32FL	Flashing Series LED Lights for 1/2" dia. Hole	R13

Electrical Devices Incorporated reserves the right to discontinue, modify designs and change specifications without incurring obligation. While every effort is made to ensure that descriptions, specifications and other information in this catalogue are correct, no warranty is given in respect thereof and the company shall not be liable for any error herein.  
Copyright © 2011 Electrical Devices Inc

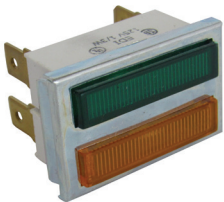
**RECTANGULAR INDICATOR LIGHTS 1.281" X .395" MOUNTING HOLE**



**31 Series - Rectangular indicator light.** Is perfect where a large light source is required. They are available in a wide variety of lens colours and voltages. Plated bezels are standard. They snap fit into a 1.281" X .395" (32.54 X10.03mm) mounting hole, up to .090" (2.28mm) thick panel, no other hardware is required. They are available with .250" x .032" (6.35mm x.81mm) or .187" x .020" (4.75mm x .51mm) brass male tabs. You can also get them with wire leads. AWM-1015/TEW-105°C, 600V. Standard leads are 20AWG black, 6" long; stripped 1/2".



**31 Series - Rectangular indicator light with message.** Is perfect where a large light source is required to illuminate a message. They are available in a wide variety of lens colours and voltages. Plated bezels are standard. They snap fit into a 1.281" X .395" (32.54 X10.03mm) mounting hole, up to .090" (2.28mm) thick panel, no other hardware is required. They are available with .250" x .032" (6.35mm x.81mm) or .187" x .020" (4.75mm x .51mm) brass male tabs. You can also get them with wire leads. AWM-1015/TEW-105°C, 600V. Standard leads are 20AWG black, 6" long; stripped 1/2".



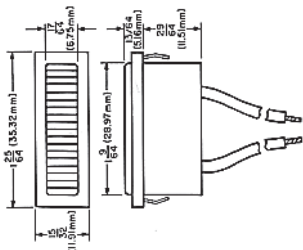
**31ML- 2 Series- Twin indicator.** The 31ML-2 series incorporates two 31 series indicator lights in a common bezel. All 31 series variations are available. The mounting hole is 1.281" x .8125" (32.54 x 20.64mm)

**COMMON FEATURES:**

- Housing is ABS flame retardant, lenses are polycarbonate.
- Terminals are brass .250" X .032" / .187 X .020 or lead wires.
- To specify options, legends, etc, please specify in clearly worded text after the part number.
- Standard legends are 10 point type.

**ORDERING INFORMATION:**

**31 SERIES**

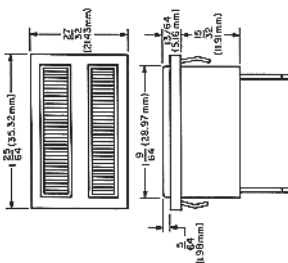


**31 G1 - 2111 - T3**

SERIES  
VOLTAGE CODE  
LENS COLOUR CODE  
TERMINATION CODE



**31ML-2 SERIES**



**SERVICE / VOLTAGE CODE:**



SINGLE INDICATOR	LAMP	VOLTAGE	CURRENT	LIFE (HOURS)
31	NEON	125VAC	1/3W	25,000
31H	NEON	250VAC	1/3W	25,000
31G1	INCANDESCENT	6.3V	.20A	20,000
31G3	INCANDESCENT	14V	.08A	15,000
31G18	INCANDESCENT	28V	.04A	15,000

TERMINATION	CODE
6" WIRE LEADS	6
.187" X .020" BRASS MALE TABS	T3
.250" X .032" BRASS MALE TABS	T4

COLOUR	CODE
RED	2111
GREEN	2112
AMBER	2113
BLUE	2114
CLEAR	2117

FOR MORE INFORMATION PLEASE CALL 1-800-661-9610 (HEAD OFFICE) 1-888-762-5384 (USA)

PLEASE CONSULT THE FACTORY FOR MORE PRODUCTS AND CUSTOMIZATION. PRODUCT DETAILS AND SPECIFICATIONS ARE SUBJECT TO CHANGE WITHOUT NOTICE.

# INDICATOR LIGHTS

R4

## ROUND INDICATOR LIGHTS 1/2" MOUNTING HOLE

## 1/2" MOUNTING HOLE

**32 Series** Snap in 6.3V - 575V



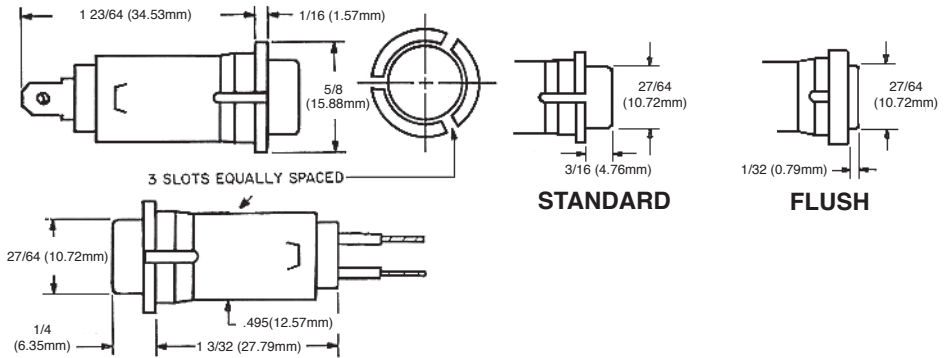
NEON



INCANDESCENT

- 32 Series are rugged and offer excellent long life. The lights usually outlasts the product that they are being used on.
- They are compact and very economical. They take up little space on the panel or behind it and deliver good light at a modest cost.
- They can be easily snap fit into a .500" to .505" (12.7 mm to 12.83 mm) Dia. hole in panels .030" to .093" (.76mm to 2.36mm) thick. For thicker panels spring steel mounting clips are available.

- Available in different lens styles
- Available in neon or incandescent versions
- Available with or without plated steel bezel
- Available with standard 6" black 20AWG AWM-1015/TEW-105°C, 600V lead wires, or .187" x .020", brass male tabs
- Housing is made of nylon
- Lenses are made of polycarbonate
- UL listed / CSA certified

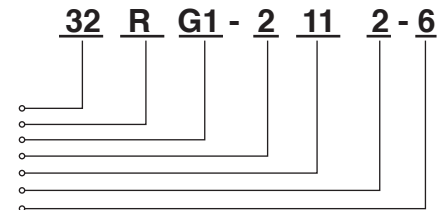


### LAMP CODE CHART:

LAMP CODE	VOLTAGE	CURRENT	RATED (HRS)
(OMIT)	125VAC NEON	1/3 W	25,000
G1	6.3V INCANDESCENT	.20A	20,000
G3	14.0V INCANDESCENT	.08A	15,000
G18	28.0V INCANDESCENT	.04A	15,000
G21	36.0V INCANDESCENT	.02A	20,000

### ORDERING INFORMATION:

SERIES  
BEZEL (OPTIONAL)  
LAMP CODE  
HOUSING COLOUR CODE  
LENS TYPE CODE  
LENS COLOUR CODE  
TERMINATION CODE



SERIES	BEZEL	LAMP CODE	HOUSING	LENS CODE	LENS COLOUR	TERMINATION
32	R (Optional)	See lamp code chart above	1 - Black 2 - White (Standard)	11 - Standard 31 - Flush	1 - Red 2 - Green 3 - Amber 4 - Blue 7 - Clear	T3 - 187" X 0.20" Brass Male Tabs 6 - 20AWG Black Wire, 6" long stripped 1/2" X - Specify lead, length, type, colour, termination

### FOR HIGH VOLTAGE APPLICATIONS - CHANGE SERIES CODE TO:

	SERIES	VOLTAGE	TERMINATIONS
UL	35	250VAC	TAB TERMINALS OR WIRE LEADS - 18 AWG RED
UR	35XJ	347VAC	WIRE LEADS ONLY - 18 AWG RED
	35XL	440VAC	WIRE LEADS ONLY - 18 AWG RED
	35XK	575VAC	WIRE LEADS ONLY - 18 AWG RED

Different wire lead types, lengths, end strips and terminations are available. Please consult factory for details.

# INDICATOR LIGHTS

## ROUND INDICATOR LIGHTS 5/16" DIAMETER HOLE

R5

### 39 Series Snap-mount Fresnel Lens, Wire Leads



**Mounting:** Snap-in front panel mount into a 5/16" (7.9mm) hole.  
Integral locking ears holds the light securely in place.  
**Panel range:** .030" to .052" (.76mm to 1.32mm)  
**Housing:** One-piece construction with integral lens nylon.

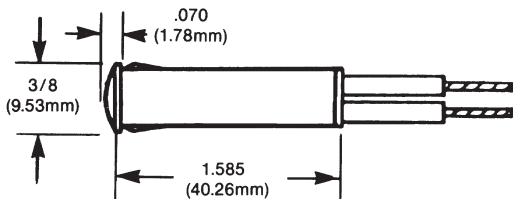
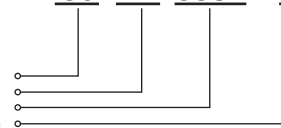
**Lens:** Standard lens is Flush style.  
**Termination:** Standard length is 6" (152mm), stripped 1/2", 20 AWG Wire Leads, Black. Type AWM-1015/TEW-105°C, 600V.  
For 250V, wire leads are red in colour.



#### ORDERING INFORMATION:

**39 H - 0381 - 6**

SERIES  
VOLTAGE CODE  
LENS COLOUR CODE  
WIRE LEAD LENGTH (INCHES)



#### SERIES VOLTAGE CODE:

CODE	VOLTAGE	CURRENT	LIFE (HOURS)
(OMIT)	125VAC	1/3W	25,000
H	250VAC	1/3W	25,000
G1	6.3V	.20A	20,000
G3	14.0V	.08A	15,000
G18	28.0V	.04A	15,000

#### LENS COLOUR CODE:

LENS	COLOURS
0381	RED
0382	GREEN
0383	AMBER
0384	BLUE
0387	CLEAR

### 39U Series Snap-mount, Wire Leads



**Mounting:** Snap-in front panel mount into a 5/16" (7.9mm) hole.  
Integral locking ears holds the light securely in place.  
**Panel range:** .030" to .052" (.76mm to 1.32mm)  
**Housing:** White Nylon.

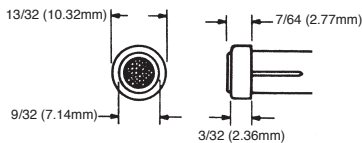
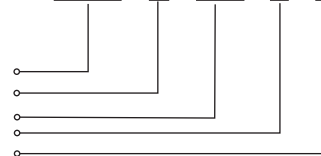
**Bezel:** Chrome Plated Brass Bezel is standard.  
**Lens:** Cylindrical Standard or Flush with a Diffusing Fresnel Pattern.  
**Termination:** Standard length is 6" (152mm), stripped 1/2", 20 AWG Wire Leads, Black. Type AWM-1015/TEW-105°C, 600V.  
For 250V, wire leads are red in colour.



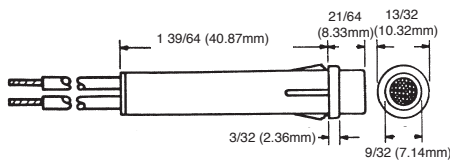
#### ORDERING INFORMATION:

**39U H - 231 3 - 6**

SERIES  
VOLTAGE CODE  
HOUSING COLOUR CODE  
LENS TYPE CODE  
LENS COLOUR CODE  
WIRE LEAD LENGTH (INCHES)



#### FLUSH LENS



#### STANDARD LENS

#### SERIES VOLTAGE CODE:

CODE	VOLTAGE	CURRENT	LIFE (HOURS)
(OMIT)	125VAC	1/3W	25,000
H	250VAC	1/3W	25,000
G1	6.3V	.20A	20,000
G3	14.0V	.08A	15,000
G18	28.0V	.04A	15,000

#### HOUSING LENS COLOUR CODE:

LENS TYPE CODE	LENS COLOUR CODE
211 - STANDARD	1 - RED
	2 - GREEN
231 - FLUSH	3 - AMBER
	4 - BLUE
	7 - CLEAR

Different wire lead types, lengths, end strips and terminations are available. Please consult factory for details.

FOR MORE INFORMATION PLEASE CALL 1-800-661-9610 (HEAD OFFICE) 1-888-762-5384 (USA)

PLEASE CONSULT THE FACTORY FOR MORE PRODUCTS AND CUSTOMIZATION.  
PRODUCT DETAILS AND SPECIFICATIONS ARE SUBJECT TO CHANGE WITHOUT NOTICE.

ELECTRICAL DEVICES INC.

INDICATOR LIGHTS

# INDICATOR LIGHTS

R6

## ROUND INDICATOR LIGHTS

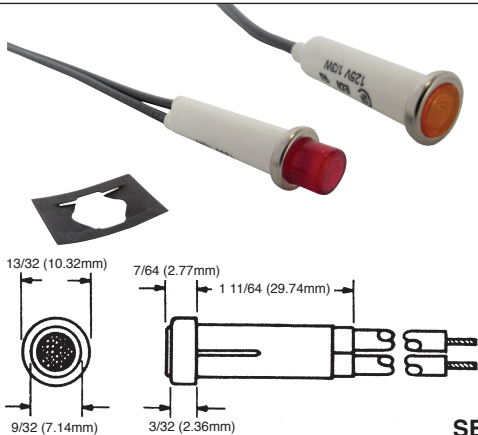
## 5/16" MOUNTING HOLE

### 41 Series Quick-mount Fresnel Lens, Wire Leads

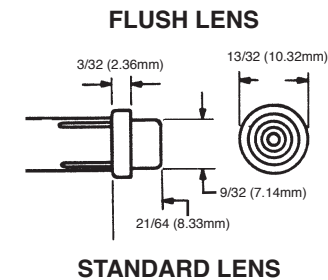
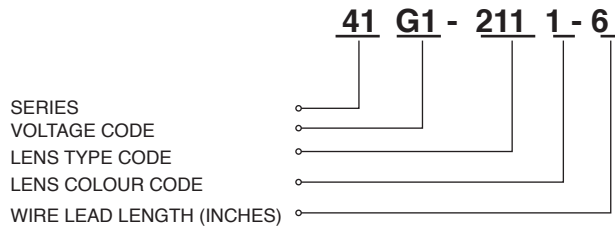


**Mounting:** Friction fit in 5/16" (7.9mm) hole. Speed nut is supplied for maximum security.  
**Panel range:** .250" (6.35mm) max.  
**Housing:** White Nylon.

**Bezel:** Chrome Plated Brass Bezel is standard.  
**Lens:** Flush or Standard with a Diffusing Fresnel Pattern  
**Termination:** Standard length is 6" (152mm), stripped 1/2", 20 AWG Wire Leads, Black. Type AWM-1015/TEW-105° C, 600V. For 250V, wire leads are red in colour.



#### ORDERING INFORMATION:



#### SERIES VOLTAGE CODE:

CODE	VOLTAGE	CURRENT	LIFE (HOURS)
(OMIT)	125V AC	1/3W	25,000
H	250V AC	1/3W	25,000
G1	6.3V	.20A	20,000
G3	14.0V	.08A	15,000
G18	28.0V	.04A	15,000

#### HOUSING LENS COLOUR CODE:

LENS TYPE CODE	LENS COLOUR CODE
211 - STANDARD	1 - RED
	2 - GREEN
	3 - AMBER
231 - FLUSH	4 - BLUE
	7 - CLEAR

### 65 Series Snap-mount, Fresnel Lens, Wire Leads

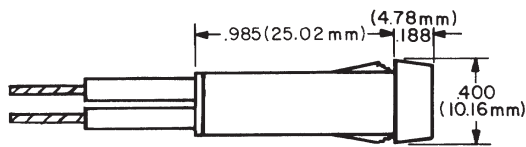
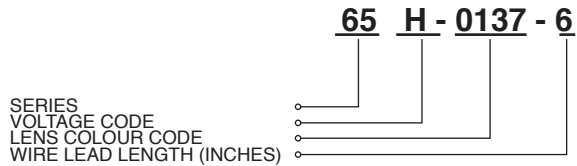


**Mounting:** Snap-in front panel mount into a 5/16" (7.9mm) hole. Integral locking ears holds the light securely in place.  
**Panel range:** .032" to .047" (.81mm to 1.19mm).  
**Housing:** One-piece construction with integral lens.

**Lens:** Standard lens is Hi-Hat style.  
**Termination:** Standard length is 6" (152mm), stripped 1/2", 20 AWG Wire Leads, Black. Type AWM-1015/TEW-105° C, 600V insulation. For 250V, wire leads are red in colour.



#### ORDERING INFORMATION:



#### SERIES VOLTAGE CODE:

CODE	VOLTAGE	CURRENT	LIFE (HOURS)
(OMIT)	125VAC	1/3W	25,000
H	250VAC	1/3W	25,000
G1	6.3V	.20A	20,000
G3	14.0V	.08A	15,000
G18	28.0V	.04A	15,000

#### LENS COLOUR CODE:

LENS	COLOURS
0131	RED
0132	GREEN
0133	AMBER
0134	BLUE
0137	CLEAR

Different wire lead types, lengths, end strips and terminations are available. Please consult factory for details.



# INDICATOR LIGHTS DC LED SERIES

## LARGE FORMAT INDICATOR LIGHTS 1/2" MOUNTING HOLE

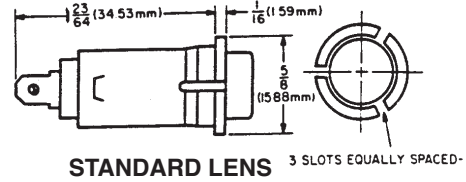
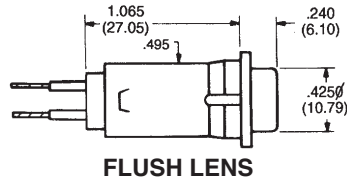
R7

### L32 Series-DC LEDs Snap-in Front Panel Mount

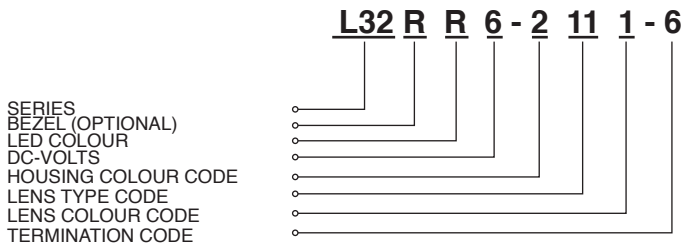
**Mounting:** Snap-in fit in 1/2" (12.7mm) hole. Optional speed nut can be supplied for greater security  
**Panel range:** .030" (.78mm) to .093" (2.38mm) max.  
**Housing:** White Nylon.  
**Bezel:** Bright Zinc Plated, Steel. (OPTIONAL)  
**Lens:** Cylindrical with a diffusing fresnel pattern, standard or flush.  
**Current:** 20 mA typical  
**Life Expectancy:** 100,000 Hrs.

The large format L32 indicator light is supplied with a super bright LED positioned in the assembly for full illumination of the lens. The viewing angle is over 180 degrees. Dropping resistors are built-in on source voltages other than 2V DC.

**Termination:** Available with standard 6" length, stripped 1/2", 20AWG, type AWM-1015/TEW-105° C, 600V. Red for positive & Black for negative. Also available in brass male tabs. .187" x .020" as T3 and are marked for polarity.



**ORDERING INFORMATION:**



**LED COLOUR CODE:**

CODE	LED COLOUR
A	AMBER
B	BLUE
G	GREEN
R	RED
Y	YELLOW
FR	FLASHING RED
BC	BI - COLOUR RED / GREEN

STANDARD DC-VOLTS
2V, 6V, 12V, 14V, 18V, 24V, 28V, Other voltages are available, please consult the factory

INDICATOR LIGHTS

**LED COLOUR CODE:**  
**R - RED G - GREEN A - AMBER B - BLUE**

For details on: Housing Colour, Lens Code, Lens Colour Code, Terminations & more see page R4

**FOR MORE INFORMATION PLEASE CALL 1-800-661-9610 (HEAD OFFICE) 1-888-762-5384 (USA)**

PLEASE CONSULT THE FACTORY FOR MORE PRODUCTS AND CUSTOMIZATION.  
 PRODUCT DETAILS AND SPECIFICATIONS ARE SUBJECT TO CHANGE WITHOUT NOTICE.

*ELECTRICAL DEVICES INC.*

# INDICATOR LIGHTS

R8

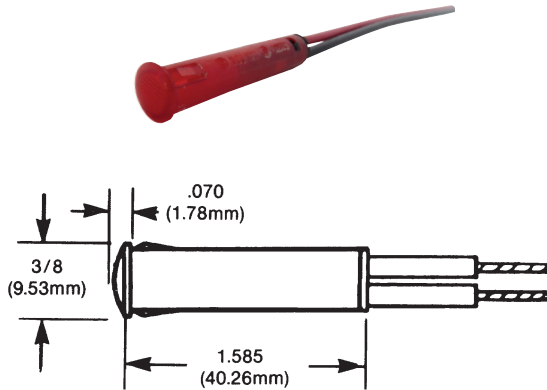
## DC LED INDICATOR LIGHTS

## 5/16" MOUNTING HOLE

### L39 Series-DC LED Snap-mount, Fresnel Lens; Wire Leads

**Mounting:** Snap-in front panel mount into a 5/16" (7.9mm) hole. Integral locking ears hold the light securely in place.  
**Panel range:** .030" to .052" (.762 to 1.32mm)  
**Housing:** One piece construction with integral lens, nylon.  
**Lens:** Standard lens is Flush style.

**Termination:** Standard length is 6" (152mm), stripped 1/2", 20 AWG Wire Leads. Type AWM-1015/TEW-105° C, .600V. Red for positive and Black for negative  
**Current:** 20mA typical.  
**Life Expectancy:** 100,000 Hrs.

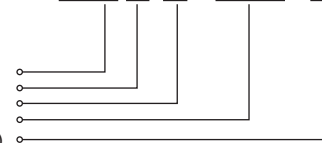


STANDARD DC-VOLTS	
2V, 6V, 12V, 14V, 18V, 24V	
Other voltages are available, please consult the factory	

#### ORDERING INFORMATION:

**L39 R 2 - 0381 - 6**

SERIES  
 LED COLOUR  
 DC-VOLTS  
 LENS COLOUR CODE  
 WIRE LEAD LENGTH (INCHES)



#### LED COLOUR CODE:

CODE	LED COLOUR
A	AMBER
B	BLUE
G	GREEN
R	RED
Y	YELLOW
FR	FLASHING RED
BC	BI - COLOUR RED / GREEN

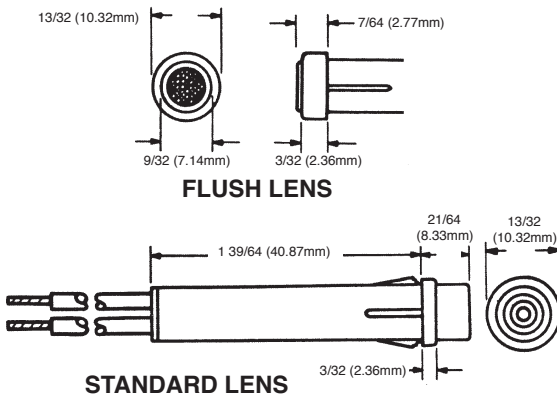
#### LENS COLOUR CODE:

LENS	COLOURS
0381	RED
0382	GREEN
0383	AMBER
0384	BLUE
0387	CLEAR

### L39U Series-DC LED Snap-mount, Wire Leads

**Mounting:** Snap in front panel mount into a 5/16" (7.9mm) hole. Integral locking ears hold the light securely in place.  
**Panel range:** .030" to .052" (.762 to 1.32mm)  
**Housing:** White Nylon.  
**Bezel:** Chrome Plate Brass Bezel is standard.

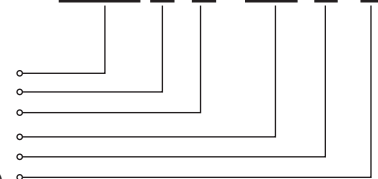
**Lens:** Standard or Flush with a Diffusing Fresnel Pattern.  
**Termination:** Standard length is 6" (152mm), stripped 1/2", 20 AWG Wire Leads. Type AWM-1015/TEW-105° C, 600V. Red for positive and Black for negative  
**Current:** 20mA typical.  
**Life Expectancy:** 100,000 Hrs.



#### ORDERING INFORMATION:

**L39U G 6 - 211 3 - 6**

SERIES  
 LED COLOUR  
 DC-VOLTS  
 LENS TYPE CODE  
 LENS COLOUR CODE  
 WIRE LEAD LENGTH (INCHES)



#### LED COLOUR CODE:

CODE	LED COLOUR
A	AMBER
B	BLUE
G	GREEN
R	RED
Y	YELLOW
FR	FLASHING RED
BC	BI - COLOUR RED / GREEN

#### HOUSING LENS COLOUR CODE:

LENS TYPE CODE	LENS COLOUR CODE
211 - STANDARD	1 - RED
	2 - GREEN
	3 - AMBER
231 - FLUSH	4 - BLUE
	5 - AMBER
	6 - GREEN
	7 - CLEAR

STANDARD DC-VOLTS	
2V, 6V, 12V, 14V, 18V, 24V	
Other voltages are available, please consult the factory	

Different wire lead types, lengths, end strips and terminations are available. Please consult factory for details.

FOR MORE INFORMATION PLEASE CALL 1-800-661-9610 (HEAD OFFICE) 1-888-762-5384 (USA)

# INDICATOR LIGHTS

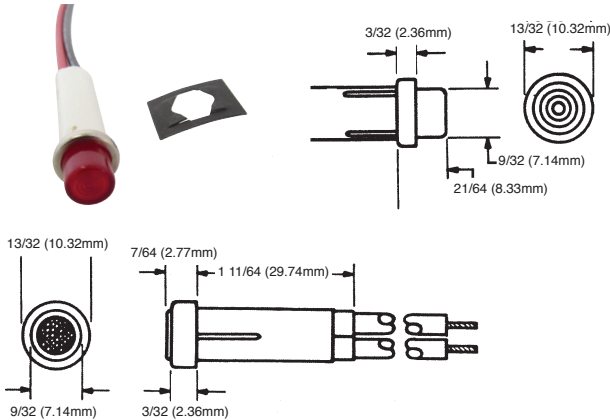
## DC LED INDICATOR LIGHTS 5/16" MOUNTING HOLE

R9

### L41 Series-DC LEDs Quick-mount, Fresnel Lens; Wire Leads

**Mounting:** Friction fit in 5/16" (7.9mm) hole. Speed nut is supplied for maximum security.  
**Panel range:** .250" (6.35mm) max.  
**Housing:** White Nylon.  
**Bezel:** Chrome Plated Brass Bezel is standard.  
**Lens:** Flush or Standard with a Diffusing Fresnel Pattern.

**Termination:** Standard length is 6" (152mm), stripped 1/2", 20 AWG Wire Leads. Type AWM-1015/TEW-105° C, 600V Red for Positive & Black for Negative.  
**Current:** 20mA typical.  
**Life Expectancy:** 100,000 Hrs.



**ORDERING INFORMATION:**

**L41 Y 2 - 231 4 - 6**

SERIES  
 LED COLOUR  
 DC-VOLTS  
 LENS TYPE CODE  
 LENS COLOUR CODE  
 WIRE LEAD LENGTH (INCHES)

**HOUSING LENS COLOUR CODE:**

LENS TYPE CODE	LENS COLOUR CODE
211 - STANDARD	1 - RED
	2 - GREEN
231 - FLUSH	3 - AMBER
	4 - BLUE
	7 - CLEAR

**LED COLOUR CODE:**

CODE	LED COLOUR
A	AMBER
B	BLUE
G	GREEN
R	RED
Y	YELLOW
FR	FLASHING RED
BC	BI - COLOUR RED / GREEN

**STANDARD DC-VOLTS**

2V, 6V, 12V, 14V, 18V, 24V  
 Other voltages are available, please consult the factory

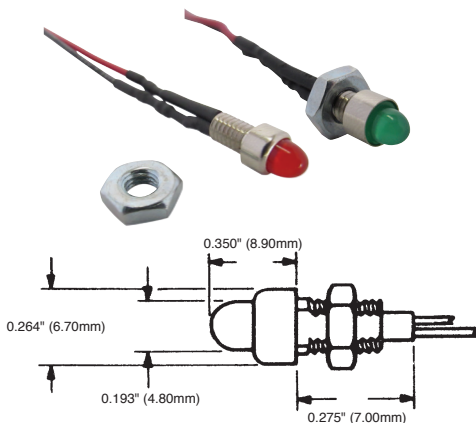
INDICATOR LIGHTS

## DC LED INDICATOR LIGHTS .196" MOUNTING HOLE

### L58 Series-DC LEDs

**Mounting:** .196" (4.98mm) hole  
**Panel range:** to .187" (4.76mm) max.  
**Housing:** Plated brass with integral bezel.  
**Termination:** W - Standard length is 6" (152mm), stripped 1/2";

24AWG wire leads. Type AWM-1007/TR64-90° C, .015" insulation.  
 Red for Positive and Black for Negative.  
**Current:** 20mA typical.  
**Life Expectancy:** 100,000 Hrs.



**ORDERING INFORMATION:**

**L58D - R 6 - W**

SERIES  
 LED COLOUR  
 DC VOLTS  
 TERMINATION CODE

**LED COLOURS - DIFFUSED**

R - RED G - GREEN Y - YELLOW

**STANDARD DC-VOLTS**

2V, 6V, 12V, 14V, 18V, 24V  
 Other voltages are available, please consult the factory.  
 ( For units over 2V DC, external dropping resistor is used)

FOR MORE INFORMATION PLEASE CALL 1-800-661-9610 (HEAD OFFICE) 1-888-762-5384 (USA)

PLEASE CONSULT THE FACTORY FOR MORE PRODUCTS AND CUSTOMIZATION.  
 PRODUCT DETAILS AND SPECIFICATIONS ARE SUBJECT TO CHANGE WITHOUT NOTICE.

ELECTRICAL DEVICES INC.

# INDICATOR LIGHTS

R10

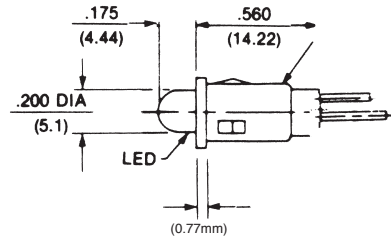
## DC LED INDICATOR LIGHTS / LED MOUNTING HARDWARE

1/4" MOUNTING HOLE

### L59U Series-DC LED Snap-mount High Efficiency

**Mounting:** .250(6.35mm) Hole, Snap-Fit.  
**Panel Range:** to .030 - .130 (.76mm-3.30mm) thick.  
**Housing:** Black nylon.  
**Termination:** W - Standard length is 6" (152mm), stripped 1/2"; 24AWG

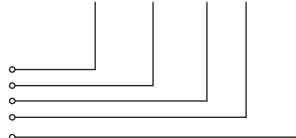
wire leads. Type AWM-1007/TR64-90° C, .015" insulation. Red for Positive and Black for Negative.  
**Current:** 20mA typical.  
**Life Expectancy:** 100,000 Hrs.



#### ORDERING INFORMATION:

**L59U C - G 2 - W**

SERIES  
 LED TYPE  
 LED COLOUR  
 DC VOLTS  
 TERMINATION CODE



CODE	LED COLOUR
A	AMBER
B	BLUE
G	GREEN
R	RED
Y	YELLOW
FR	FLASHING RED
BC	BI - COLOUR RED / GREEN

STANDARD DC-VOLTS
2V, 6V, 12V, 14V, 18V, 24V
Other voltages are available, please consult the factory. ( For units over 2V DC, external dropping resistor is used)

LED TYPE
D - DIFFUSED C - CLEAR

Different wire lead types, lengths, end strips and terminations are available. Please consult factory for details.

INDICATOR LIGHTS

# INDICATOR LIGHTS

## AC LED INDICATOR LIGHTS 1/2" MOUNTING HOLE

R11

### LA32 Series-AC LEDs Snap-in Front Panel Mount

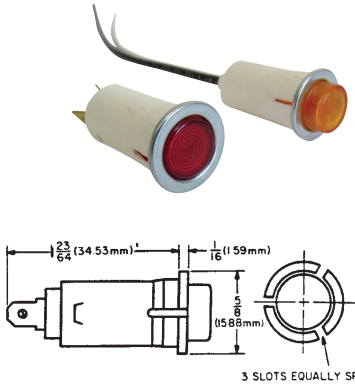


**Mounting:** Snap-in fit in 1/2" (12.7mm) hole. Optional speed nut can be supplied for greater security  
**Panel range:** .030" (.78mm) to .093" (2.38mm) max.  
**Housing:** White Nylon.  
**Bezel:** Bright Zinc Plated, Steel. (OPTIONAL)  
**Lens:** Cylindrical with a diffusing fresnel pattern, standard or flush.  
**Current:** 20 mA typical  
**Life Expectancy:** 100,000 Hrs.

We have pioneered the development of AC LED indicator lights which function with full efficiency on AC supply voltages. For applications up to 28VAC, a built-in series resistor is used.

**Termination:** Available with standard 6" length, stripped 1/2", 20AWG, type AWM-1015/TEW-105° C , .600V, Black and White. Also available in brass male tabs. .187" x .020" as T3.

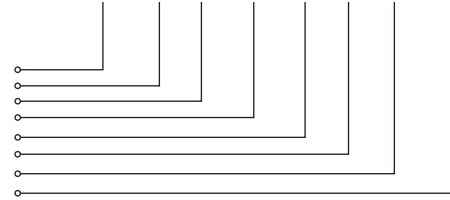
#### ORDERING INFORMATION:



Size for 2, 6, 12, 24V models

SERIES  
 BEZEL (OPTIONAL)  
 LED COLOUR  
 AC-VOLTS  
 HOUSING COLOUR CODE  
 LENS TYPE CODE  
 LENS COLOUR CODE  
 TERMINATION CODE

**LA32 R G 12 - 2 31 2 - T3**



STANDARD DC-VOLTS	
2V, 6V, 12V, 14V, 18V, 24V, 28V	
Other voltages are available, please consult the factory	

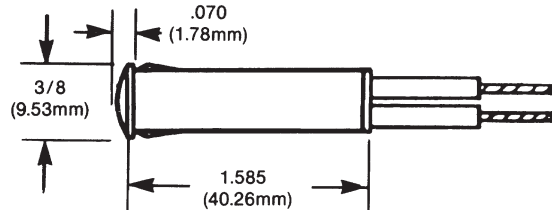
INDICATOR LIGHTS

## AC LED INDICATOR LIGHTS 5/16" MOUNTING HOLE

### LA39 Series-AC LED Snap-mount, Fresnel Lens; Wire Leads

**Mounting:** Snap-in front panel mount into a 5/16" (7.9mm) hole. Integral locking ears hold the light securely in place.  
**Panel range:** .030" to .052" (.762 to 1.32mm)  
**Housing:** One piece construction with integral lens, nylon.  
**Lens:** Standard lens is Flush style.

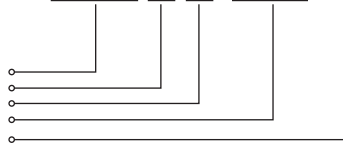
**Termination:** Standard length is 6" (152mm), stripped 1/2", 20 AWG Wire Leads. Type AWM-1015/TEW-105° C , .600V, Black and White  
**Current:** 20mA typical.  
**Life Expectancy:** 100,000 Hrs.



#### ORDERING INFORMATION:

**LA39 R 2 - 0381 - 6**

SERIES  
 LED COLOUR  
 AC VOLTS  
 LENS COLOUR CODE  
 WIRE LEAD LENGTH (INCHES)



#### LENS COLOUR CODE:

LENS	COLOURS
0381	RED
0382	GREEN
0383	AMBER
0384	BLUE

STANDARD AC-VOLTS	
2V, 6V, 12V, 14V, 18V, 24V	
Other voltages are available, please consult the factory	

LED COLOUR CODE	
R - RED G - GREEN Y - YELLOW A - AMBER B - BLUE	

FOR MORE INFORMATION PLEASE CALL 1-800-661-9610 (HEAD OFFICE) 1-888-762-5384 (USA)

PLEASE CONSULT THE FACTORY FOR MORE PRODUCTS AND CUSTOMIZATION.  
 PRODUCT DETAILS AND SPECIFICATIONS ARE SUBJECT TO CHANGE WITHOUT NOTICE.

ELECTRICAL DEVICES INC.

# INDICATOR LIGHTS

R12

## AC LED INDICATOR LIGHTS

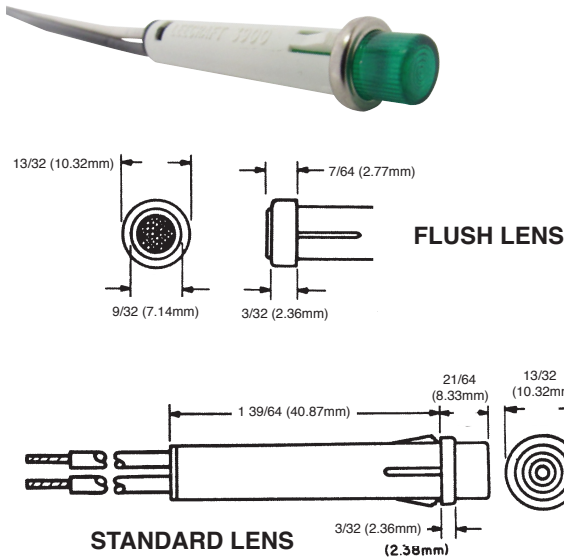
## 5/16" MOUNTING HOLE

### LA39U Series-AC LEDs Snap-mount, Wire Leads

**Mounting:** Snap in front panel mount into a 5/16" (7.9mm) hole. Integral locking ears hold the light securely in place.  
**Panel range:** .030" to .052" (.762 to 1.32mm)  
**Housing:** White Nylon.  
**Bezel:** Chrome Plate Brass Bezel is standard.  
**Lens:** Standard or Flush with a Diffusing Fresnel Pattern.

**Termination:** Standard length is 6" (152mm), stripped 1/2", 20 AWG Wire Leads. Type AWM-1015/TEW-105° C, .600V, black and white.  
**Current:** 20mA typical.  
**Life Expectancy:** 100,000 Hrs.

#### ORDERING INFORMATION:



**L39U G 6 - 211 3 - 6**

SERIES  
 LED COLOUR  
 AC-VOLTS  
 LENS TYPE CODE  
 LENS COLOUR CODE  
 WIRE LEAD LENGTH (INCHES)

LENS TYPE CODE	LENS COLOUR CODE	LED COLOUR CODE
211 - STANDARD	1 - RED	R - RED G - GREEN Y - YELLOW A - AMBER B - BLUE
	2 - GREEN	
	3 - AMBER	
	4 - BLUE	
231 - FLUSH		

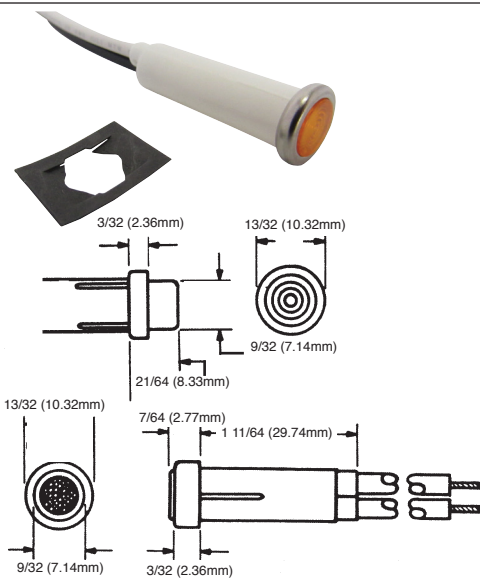
STANDARD AC-VOLTS
2V, 6V, 12V, 14V, 18V, 24V
Other voltages are available, please consult the factory

### LA41 Series-AC LEDs Quick-mount, Fresnel Lens; Wire Leads

**Mounting:** Friction fit in 5/16" (7.9mm) hole. Speed nut is supplied for maximum security.  
**Panel Range:** .250" (6.35mm) max.  
**Housing:** White Nylon.  
**Bezel:** Chrome Plated Brass Bezel is standard.  
**Lens:** Flush or Standard with a Diffusing Fresnel Pattern.

**Termination:** Standard length is 6" (152mm), stripped 1/2", 20 AWG Wire Leads. Type AWM-1015/TEW-105° C, 600V, Black and White.  
**Current:** 20mA typical.  
**Life Expectancy:** 100, 000 Hrs.

#### ORDERING INFORMATION:



**L41 Y 2 - 231 4 - 6**

SERIES  
 LED COLOUR  
 AC-VOLTS  
 LENS TYPE CODE  
 LENS COLOUR CODE  
 WIRE LEAD LENGTH (INCHES)

LENS TYPE CODE	LENS COLOUR CODE	LED COLOUR CODE
211 - STANDARD	1 - RED	R - RED G - GREEN Y - YELLOW A - AMBER B - BLUE
	2 - GREEN	
	3 - AMBER	
	4 - BLUE	
231 - FLUSH		

STANDARD AC-VOLTS
2V, 6V, 12V, 14V, 18V, 24V
Other voltages are available, please consult the factory

Different wire lead types, lengths, end strips and terminations are available. Please consult factory for details.

INDICATOR LIGHTS



# INDICATOR LIGHTS

## AC LED INDICATOR LIGHTS 1/2" MOUNTING HOLE

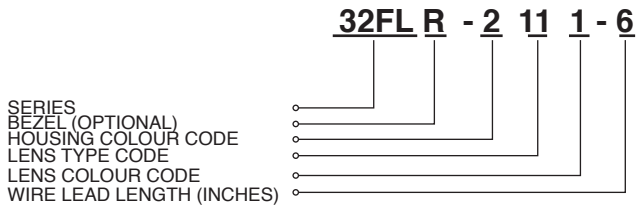
R13

LA32 Series-AC LEDs Snap-in Front Panel Mount



The 32 Series is available with outboard circuitry to provide a flashing action of approximately 100 times per minute. This is ideal for those applications where a warning indicator is desirable. Wire leads are standard. The circuitry will pass through the 1/2" (12.7mm) mounting hole of the standard 32 Series.

### ORDERING INFORMATION:



STANDARD AC-VOLTS
32FL = 125V AC 35FL = 250V AC
LED COLOUR CODE:
R - RED G - GREEN A - AMBER B - BLUE
For details on: Housing Colour, Lens Code, Lens Colour Code, Terminations & more see page R4

INDICATOR LIGHTS

Different wire lead types, lengths, end strips and terminations are available. Please consult factory for details.

FOR MORE INFORMATION PLEASE CALL 1-800-661-9610 (HEAD OFFICE) 1-888-762-5384 (USA)

PLEASE CONSULT THE FACTORY FOR MORE PRODUCTS AND CUSTOMIZATION.  
PRODUCT DETAILS AND SPECIFICATIONS ARE SUBJECT TO CHANGE WITHOUT NOTICE.

ELECTRICAL DEVICES INC.

**FOR  
CUSTOM  
ORDERS  
CONSULT  
FACTORY**



*ELECTRICAL DEVICES INC.*

**TERMS AND CONDITIONS**

EFFECTIVE SEPTEMBER 2017

**TERMS:** NET 30 DAYS, unless otherwise stated, subject to interest after 30 days at a rate of 2% per month.

**TAXES:** ALL TAXES ARE EXTRA.

**PRICES:** All prices are subject to change without notice and orders will be billed at prices in effect at time of shipment.

**DELIVERY:** F.O.B Toronto, Ontario, Canada, prepaid and billed. Freight is allowed on orders via ETLIN-DANIELS/ELECTRICAL DEVICES INC. routing on shipments according to the regions listed below, net distributor billing, shipped at one time to one location. Our responsibility ceases when receipt of carrier is given to us. Any claims for loss or damages must be made against the transportation company.

**All of Ontario: \$1000.00 Greater Montreal: \$1000.00 - All other provinces: \$1500.00. For US Customer orders over \$2,000.00 prepaid freight.**

**MINIMUM BILLING:** \$100.00 NET DISTRIBUTOR BILLING

Any orders that do not meet the \$100.00 minimum (excluding taxes) will be subject to a \$25.00 processing fee.

**ORDERS:** Additions to orders cannot be made unless approved by WRITTEN PERMISSION. Unauthorized additions will be treated as a new order and must meet new order requirements. Special customized parts are non-cancelable after acceptance of orders by ETLIN-DANIELS/ELECTRICAL DEVICES INC.

**RETURN GOODS POLICY:**

Goods may only be returned with WRITTEN PERMISSION and a proper RMA number from ETLIN-DANIELS/ELECTRICAL DEVICES INC. Goods must be in resalable condition. NO CREDIT will be issued for opened or partially used product or packages. ALL RETURNS WILL BE SUBJECT TO A 25% RESTOCKING CHARGE on standard items only. NO RETURNS ARE ALLOWED ON CUSTOM MADE OR CUSTOM ORDERED PRODUCTS. We reserve the right to refuse any items which were purchased more than SIX (6) MONTHS prior to the request from return.

**FINANCIAL RESPONSIBILITY:**

All products remain the sole property of ETLIN-DANIELS/ELECTRICAL DEVICES INC. until payment for such property is made in full. In the event of non-payment or bankruptcy, ETLIN-DANIELS/ELECTRICAL DEVICES INC. shall maintain ownership of such product, at which time, at our discretion ETLIN-DANIELS/ELECTRICAL DEVICES INC. shall have full access to retrieving such product, as such product (s) shall not be considered as assets, but as the sole property of ETLIN-DANIELS/ELECTRICAL DEVICES INC. and not to be considered assets of any other company or persons.

**CLAIMS:** Claims for errors or shortages must be made with FIVE (5) DAYS of receipt of goods.

**LIMITED WARRANTY:**

ETLIN-DANIELS/ELECTRICAL DEVICES INC. warrant that our products are free from defects. Should any defect occur in our products with ONE (1) YEAR; or within NINETY (90) DAYS on tools; or within THREE (3) YEARS on electronic ballasts, LED products warranty as per published literature, ETLIN-DANIELS/ELECTRICAL DEVICES INC. upon prompt notification will at its sole discretion, exchange, repair or credit the purchase price of the item in question. No claim will be allowed for expense incurred in the installing, removal, or using such material or for any other damages to persons or property.

**DISCLAIMER AND LIMITATIONS:**

Except for the warranty and remedy as stated above, we disclaim all other warranties, whether expressed or implied and specifically disclaim the implied warranties of merchant ability and fitness for a particular purpose. In no event shall ETLIN-DANIELS/ELECTRICAL DEVICES INC. be liable in warranty, contract, negligence, strict liability or otherwise, for any damages, whether incidental or consequential, which are alleged to be caused by one or more of our products, beyond the cost to the purchaser of the subject product or products in question. Therefore, the sole and exclusive remedy against ETLIN-DANIELS/ELECTRICAL DEVICES INC. for breach of warranty, breach of contract or in negligence or strict liability or otherwise, shall be limited to repair or replacement of the subject product at our discretion (excluding installation and removal charges, which will not be our liability) or, if we choose, refund of the purchase price, and then only during the ONE (1) YEAR period following the date of delivery. Purchaser is responsible for determining the suitability of our products for the purchaser's use or resale, or for incorporating them into other items or for applications which the purchaser designs, assembles, constructs or manufactures or retro-fits.



**MANUFACTURERS AND DISTRIBUTORS OF:**

Magnetic & Electronic CFL & Fluorescent Ballasts,  
 Incandescent, Halogen, CFL & Fluorescent Lampholders,  
 Low Voltage Halogen Transformers, Power Cords,  
 Outlets & Connectors Switches,  
 Lamp Parts & Suspension Components / Systems,  
 AC / DC Axial Fans, PIR Sensors,  
 Miniature Lampholders, Indicator Lights,  
 Custom Wire & Cable Harness Assemblies

**1850 WILSON AVE. - TORONTO, ON - M9M 1A1**  
**T. 416.741.7336 - F. 416.741.9104**  
**TF CANADA. 1.800.661.9610 - TF USA. 1.888.762.5384**  
**EMAIL. sales@etlin.com**  
**ONLINE. www.etlin-daniels.com**