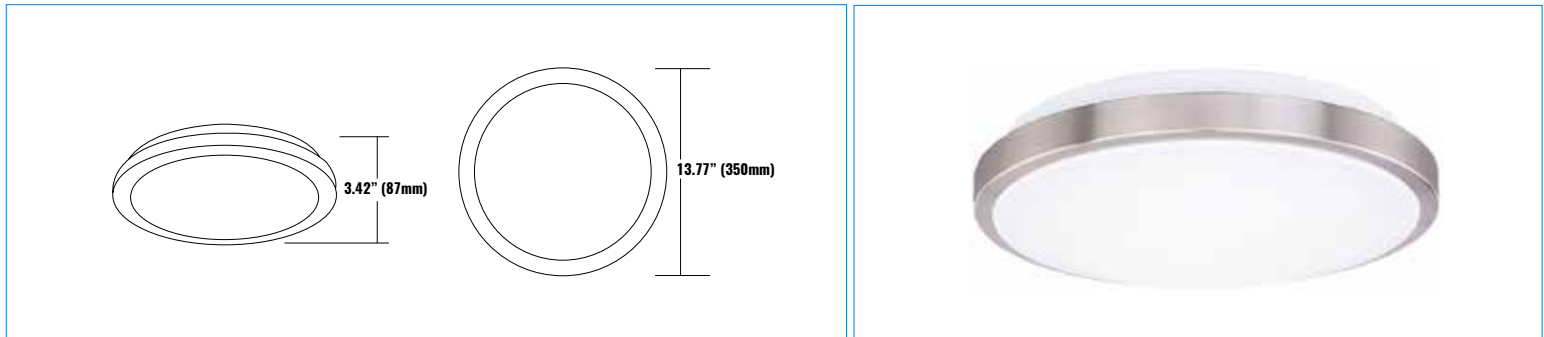


PRODUCT CODE: CM614D-251CD-BN
LED FLUSHMOUNT/14 INCH SINGLE SPILL RING CCT/LOW PROFILE


PRODUCT DESCRIPTION

The new generation of Etlin-Daniels CM614D-251CD-BN LED Single Spill Ring Ceiling Flushmount offers the latest in compact design, even and glare free illumination, energy efficiency and value. This easy-to-install fixture features a durable polystyrene lens and is a cost-efficient solution to replace older incandescent or compact fluorescent ceiling fixtures, or for new construction.

The single Brushed Nickel band accents any hallway, lobby, foyer, bedroom or bathroom, and meeting room, in residential, commercial, healthcare and hospitality applications. The driver-on-board technology is Triac dimmable. And, to reduce inventory decisions, this fixture comes with a CCT switch that allows you to choose between 3000K, 4000K and 5000K color temperatures.

FEATURES

- LED Indoor Light Source
- Low profile 14" design
- Durable polystyrene lens is easily removed for both installation and maintenance
- Brushed Nickel Single Spill-Ring accents
- CCT Switch – choose between 3000K, 4000K & 5000K
- DOB technology
- Suitable for damp locations
- 5 year warranty
- L70 – 50,000 hours
- Energy Star certified

PRODUCT SPECIFICATIONS (OPTICAL DATA)

PRODUCT SPECIFICATIONS (ELECTRICAL DATA)

LED TYPE	LED QTY	SYSTEM EFFICACY	LUMENS	COLOR TEMPERATURE	BEAM ANGLE	CRI	SYSTEM EFFICIENCY	VOLTAGE	POWER FREQUENCY	POWER FACTOR	HARMONIC DISTORTION
DOB 2835	84 CHIPS	70LM/W	1750LM	3000K 4000K 5000K	120°	>80CRI	>85%	AC120V	50 - 60HZ	>0.90	<50%

PRODUCT SPECIFICATIONS

WATTAGE	FIXTURE MATERIAL	LIFE SPAN	STORAGE TEMP	OPERATING TEMP	PRODUCT DIMENSIONS	CARTON SIZE
25W	STEEL/PS	>50,000 HOURS	- 40°C - 60°C - 40°F - 140°F	- 25°C - 45°C - 13°F - 113°F	13.7 x 3.4 INCHES (350 x 87 MM)	18.11 X 15.16 X 15.35 INCHES (460 X 385 X 390 MM)



ADDITIONAL INFORMATION

INSTALLATION METHOD

FLUSH MOUNT - CEILING MOUNT

FIXTURE COLOR/DIFFUSER

BRUSHED NICKEL/
POLYSTYRENE WHITE

CONTROL TYPE

TRIAC DIMMABLE

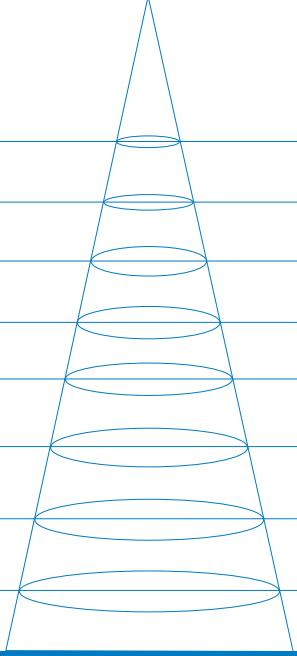
CATALOG #		TYPE
PROJECT		DATE
PREPARED BY		

PRODUCT CODE: CM614D-251CD-BN

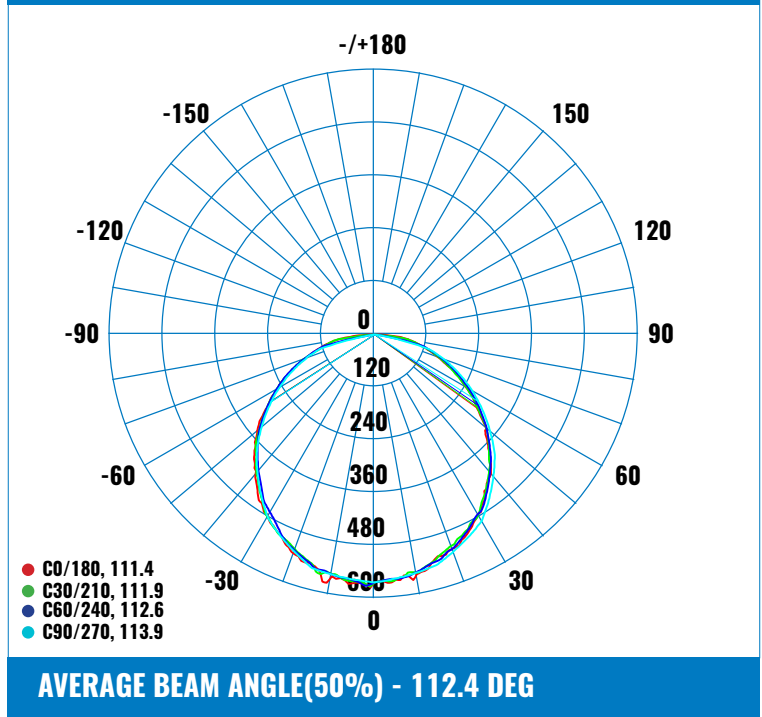
LED FLUSHMOUNT/14 INCH SINGLE SPILL RING CCT/LOW PROFILE

LUMINAIRE PHOTOMETRIC (TEST REPORT)

ILLUMINANCE (AT A DISTANCE) - FLUX OUT: 1,191LM

			
6.56FT 2M	43.13, 146.2LX		19.16FT 584.07 CM
9.84FT 3M	19.17, 64.96LX		28.74FT 876.11 CM
13.12FT 4M	10.78, 36.54LX		38.32FT 1168.14 CM
16.40FT 5M	6.901, 23.39LX		47.90FT 1460.18 CM
19.69FT 6M	14.792, 16.24LX		57.48FT 1752.21 CM
22.97FT 7M	3.521, 11.93LX		67.06FT 2044.25 CM
26.25FT 8M	2.696, 9.135LX		76.64FT 2336.28 CM
29.52FT 9M	2.130, 7.218LX		86.23FT 2628.32 CM
HT	EAVG/EMAX	ANGLE: 111.19DEG	DIA

LUMINOUS INTENSITY DISTRIBUTION DIAGRAM

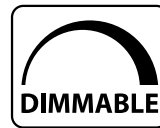
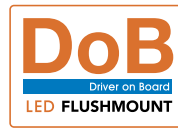


CERTIFICATIONS



CAN ICES-005 (B) / NMB-005 (B)

DRIVER/LED CHIP



ORDERING INFORMATION - CM SERIES

SERIES	SIZE	LED TYPE	WATTAGE	VOLTAGE	COLOR TEMPERATURE	DIMMABLE	FINISH
Eg. CM6	14	D	25	1	C	D	BN
CM6 -	14 - 14"	D - DRIVER ON BOARD	25 = 25W	1 = 120V	C = CHANGEABLE	D = TRIAC	BN - BRUSHED NICKEL
SINGLE					COLOR TEMPERATURE		
CEILING MOUNT					3000K, 4000K, 5000K		

Head Office - 1850 Wilson Ave. · Toronto, ON · M9M 1A1 · Tel: 416.741.7336 · Fax: 416.741.9104

Toll Free: in Canada. 1.800.661.9610 · in USA. 1.888.762.5384 (SOCKETS4U)

www.etlin-daniels.com · For sales/service questions - sales@etlin.com