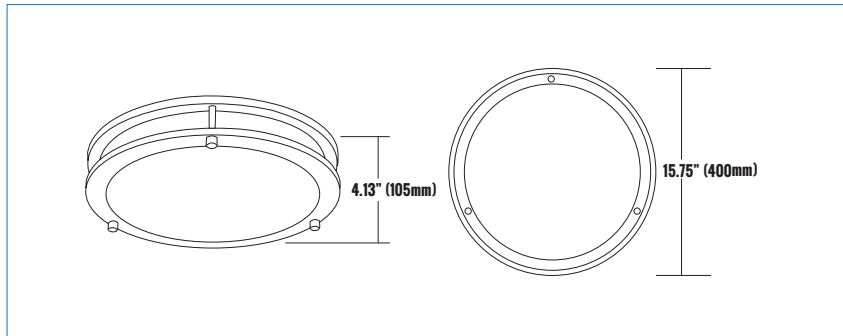


PRODUCT CODE: CMM316D-251BNPS3D
LED FLUSHMOUNT/16 INCH SPILL RING/LOW PROFILE


PRODUCT DESCRIPTION

The new generation of Etlin-Daniels CMM316D-251BNPS3D (& CMM316D-251BNPS4D) LED Spill Ring Ceiling Flushmount offers the latest in compact design, even and glare free illumination, energy efficiency and value. This easy-to-install fixture features a durable polystyrene lens and is a cost-efficient solution to replace either older incandescent or compact fluorescent ceiling fixtures, or for new construction.

The Brushed Nickel accents enhance any hallway, lobby, foyer, bedroom or bathroom, and meeting room in residential, commercial, healthcare and hospitality applications. The driver-on-board technology is Triac dimmable. Available in 3000K & 4000K

FEATURES

- LED Indoor Light Source
- Low profile 16" design
- Durable polystyrene lens is easily removed for both installation and maintenance
- Brushed Nickel Spill-Ring accents
- Driver-On-Board technology
- Suitable for damp locations
- 5 year warranty.
- L70 - 50,000 hours.
- Energy Star certified.

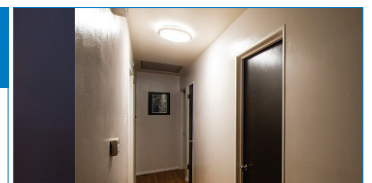
PRODUCT SPECIFICATIONS (OPTICAL DATA)

PRODUCT SPECIFICATIONS (ELECTRICAL DATA)

LED TYPE	LED QTY	SYSTEM EFFICACY	LUMENS	COLOR TEMPERATURE	BEAM ANGLE	CRI	SYSTEM EFFICIENCY	VOLTAGE	POWER FREQUENCY	POWER FACTOR	HARMONIC DISTORTION
DOB 2835	56 CHIPS	70LM/W	1750LM	3000K	120°	>80CRI	>85%	AC120V	50 - 60HZ	>0.90	<50%

PRODUCT SPECIFICATIONS

WATTAGE	FIXTURE MATERIAL	LIFE SPAN	STORAGE TEMP	OPERATING TEMP	PRODUCT DIMENSIONS	CARTON SIZE
25W	STEEL/PS	>50,000 HOURS	-40°C~-60°C -40°F~-140°F	-25°C~-45°C -13°F~-113°F	15.75 x 4.13 INCHES (400 x 105 MM)	16.73 X 16.73 X 4.72 INCHES (425 X 425 X 120 MM)



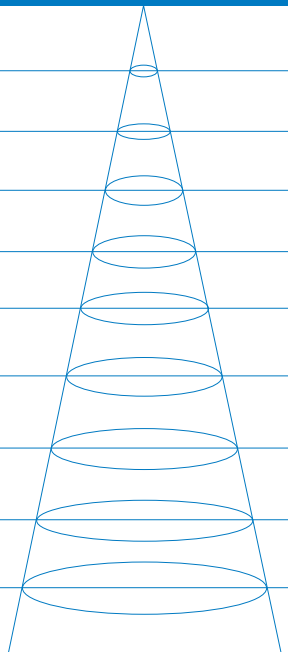
ADDITIONAL INFORMATION

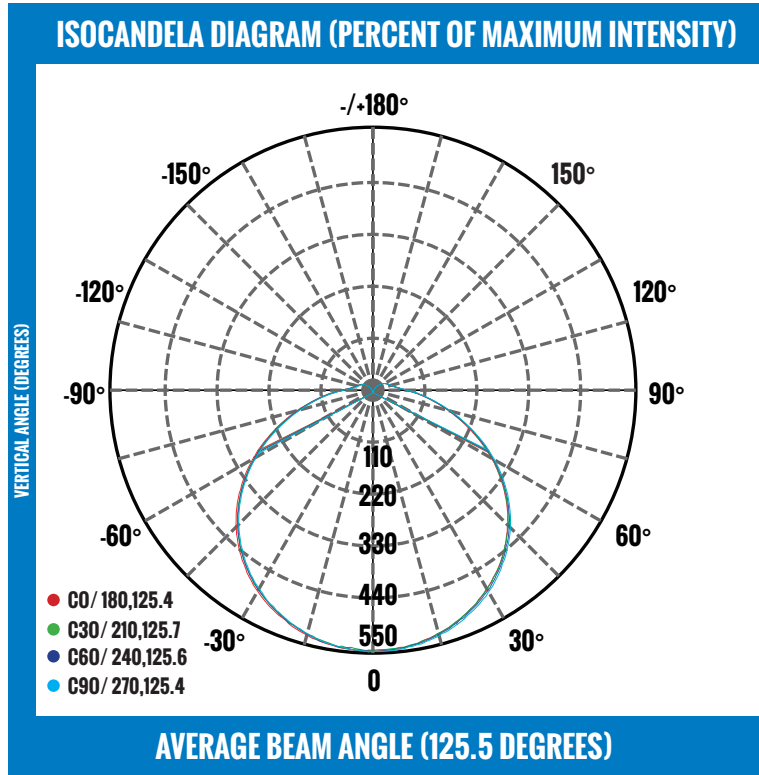
INSTALLATION METHOD	FIXTURE COLOR/DIFFUSER	CONTROL TYPE
FLUSH MOUNT - CEILING MOUNT	BRUSHED NICKEL/POLYSTYRENE WHITE	TRIAC DIMMABLE

PRODUCT CODE: CMM316D-251BNPS3D **LED FLUSHMOUNT/16 INCH SPILL RING/LOW PROFILE**

LUMINAIRE PHOTOMETRIC (TEST REPORT)

ILLUMINANCE (AT A DISTANCE) - FLUX OUT: 1417LM

3.28FT 1M	117,1,548.4LX		12.70FT 3.87M
6.56FT 2M	29.28,137.1LX		25.41FT 7.74M
9.84FT 3M	13.01,60.93LX		38.12FT 11.61M
13.12FT 4M	7.321,34.27LX		50.82FT 15.49M
16.40FT 5M	4.685,21.93LX		63.53FT 19.36M
19.69FT 6M	3.254,15.23LX		76.24FT 23.23M
22.97FT 7M	2.390,11.19LX		88.95FT 27.11M
26.25FT 8M	1.830,8.568LX		101.65FT 30.98M
29.52FT 9M	1.446,6.770LX		114.36FT 34.85M
32.80FT 10M	1.171,5.484LX		127.07FT 38.73M
HT	EAVG/EMAX	ANGLE: 125.38DEG	DIA



CERTIFICATIONS

DRIVER/LED CHIP



ORDERING INFORMATION - CM SERIES

SERIES	SIZE	LED TYPE	WATTAGE	VOLTAGE	FINISH	DIFFUSER	COLOR TEMPERATURE	DIMMABLE
E.G. CMM3	16	D	25	1	BN	PS	3	D
CMM3 -	16 - 16"	D - DRIVER ON BOARD	25 - 25W	1 - 120V	BN - BRUSHED NICKEL	PS - POLYSTYRENE	3 - 3000K	D - TRIAC
CEILING MOUNT								