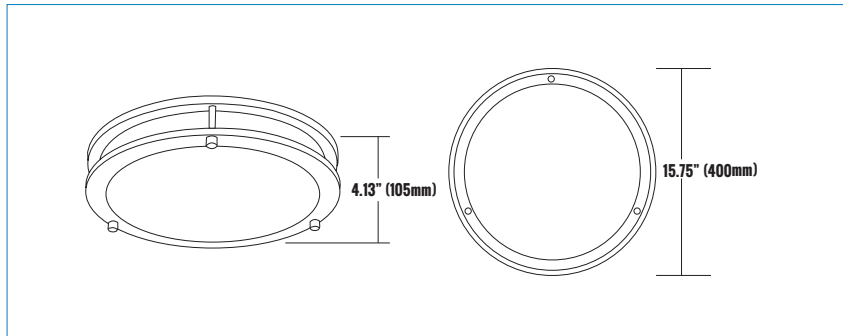


**PRODUCT CODE: CMM316D-251BNPS4D**
**LED FLUSHMOUNT/16 INCH SPILL RING/LOW PROFILE**


### PRODUCT DESCRIPTION

The new generation of Etlin-Daniels CMM316D-251BNPS3D ( & CMM316D-251BNPS4D) LED Spill Ring Ceiling Flushmount offers the latest in compact design, even and glare free illumination, energy efficiency and value. This easy-to-install fixture features a durable polystyrene lens and is a cost-efficient solution to replace either older incandescent or compact fluorescent ceiling fixtures, or for new construction.

The Brushed Nickel accents enhance any hallway, lobby, foyer, bedroom or bathroom, and meeting room in residential, commercial, healthcare and hospitality applications. The driver-on-board technology is Triac dimmable. Available in 3000K & 4000K

### FEATURES

- LED Indoor Light Source
- Low profile 16" design
- Durable polystyrene lens is easily removed for both installation and maintenance
- Brushed Nickel Spill-Ring accents
- Driver-On-Board technology
- Suitable for damp locations
- 5 year warranty.
- L70 - 50,000 hours.
- Energy Star certified.

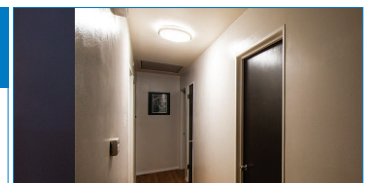
### PRODUCT SPECIFICATIONS (OPTICAL DATA)

### PRODUCT SPECIFICATIONS (ELECTRICAL DATA)

LED TYPE	LED QTY	SYSTEM EFFICACY	LUMENS	COLOR TEMPERATURE	BEAM ANGLE	CRI	SYSTEM EFFICIENCY	VOLTAGE	POWER FREQUENCY	POWER FACTOR	HARMONIC DISTORTION
DOB 2835	56 CHIPS	70 LM/W	1750LM	4000K	120°	>80CRI	>85%	AC120V	50 - 60HZ	>0.90	<50%

### PRODUCT SPECIFICATIONS

WATTAGE	FIXTURE MATERIAL	LIFE SPAN	STORAGE TEMP	OPERATING TEMP	PRODUCT DIMENSIONS	CARTON SIZE
25W	STEEL/PS	>50,000 HOURS	-40°C~-60°C -40°F~-140°F	-25°C~-45°C -13°F~-113°F	15.75 x 4.13 INCHES (400 x 105 MM)	16.73 X 16.73 X 4.72 INCHES (425 X 425 X 120 MM)



### ADDITIONAL INFORMATION

#### INSTALLATION METHOD

FLUSH MOUNT - CEILING MOUNT

#### FIXTURE COLOR/DIFFUSER

BRUSHED NICKEL/POLYSTYRENE WHITE

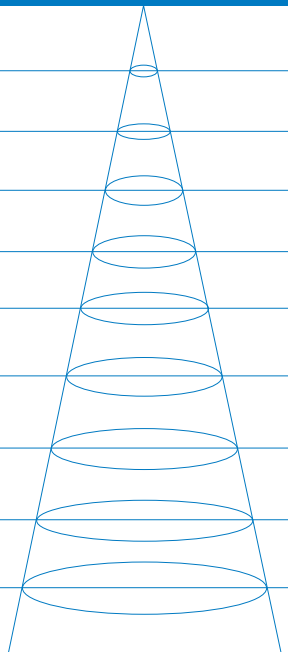
#### CONTROL TYPE

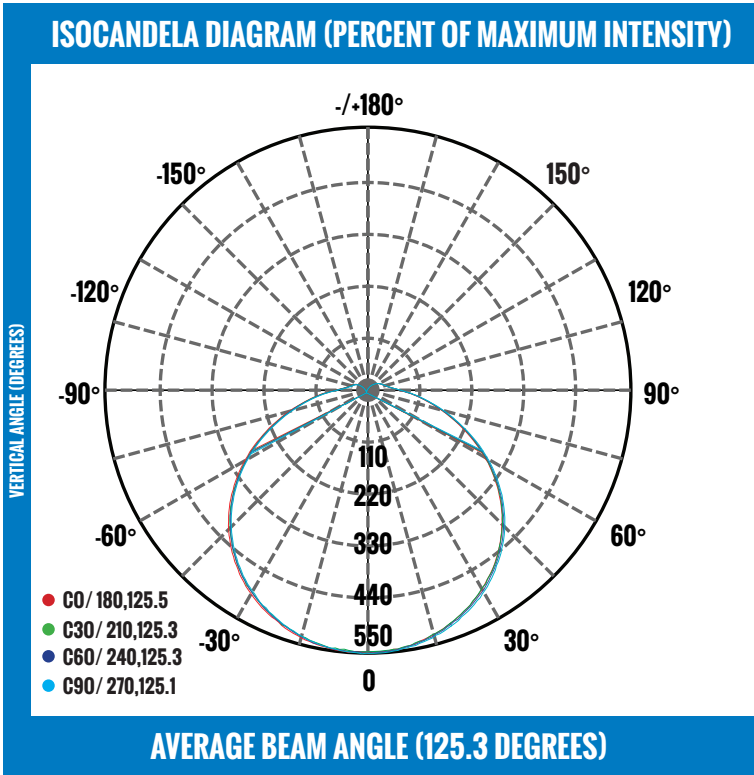
TRIAC DIMMABLE

**PRODUCT CODE: CMM316D-251BNPS4D**    **LED FLUSHMOUNT/16 INCH SPILL RING/LOW PROFILE**

**LUMINAIRE PHOTOMETRIC (TEST REPORT)**

**ILLUMINANCE (AT A DISTANCE) - FLUX OUT: 1421LM**

3.28FT 1M	117.1,550.1LX		12.63FT 3.85M
6.56FT 2M	29.36,137.5LX		25.26FT 7.70M
9.84FT 3M	13.05,61.12LX		37.90FT 11.55M
13.12FT 4M	7.341,34.38LX		50.53FT 15.40M
16.40FT 5M	4.698,22.00LX		63.17FT 19.25M
19.69FT 6M	3.263,15.28LX		75.80FT 23.10M
22.97FT 7M	2.397,11.23LX		88.43FT 26.95M
26.25FT 8M	1.835,8.595LX		101.06FT 30.80M
29.52FT 9M	1.450,6.791LX		113.70FT 34.65M
32.80FT 10M	1.175,5.501LX		126.33FT 38.50M
<b>HT</b>	<b>EAVG/EMAX</b>	<b>ANGLE: 125.11DEG</b>	<b>DIA</b>



**CERTIFICATIONS**

**DRIVER/LED CHIP**



**ORDERING INFORMATION - CM SERIES**

SERIES	SIZE	LED TYPE	WATTAGE	VOLTAGE	FINISH	DIFFUSER	COLOR TEMPERATURE	DIMMABLE
E.G. CMM3	16	D	25	1	BN	PS	4	D
CMM3 -	16 - 16"	D - DRIVER ON BOARD	25 - 25W	1 - 120V	BN - BRUSHED NICKEL	PS - POLYSTYRENE	4 - 4000K	D - TRIAC
CEILING MOUNT								