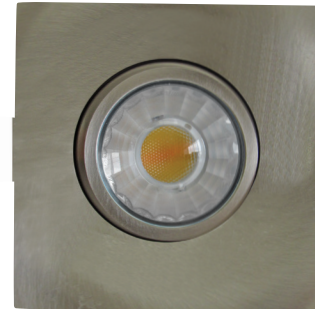
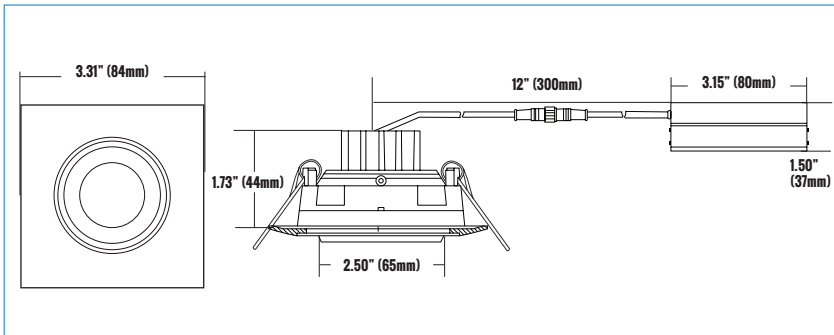


CATALOG #		TYPE
PROJECT		DATE
PREPARED BY		

**PRODUCT CODE: DLSGS3-613WD-BN**
**3 INCH LED SLIM GIMBAL DOWN LIGHT**
**B39**

**RECESSED LOW PROFILE**

### PRODUCT DESCRIPTION

The Etlin-Daniels DLSGS3-613WD-BN LED 3 inch Slim Gimbal Recessed Downlight offers a modern, energy-efficient solution for retrofitting existing incandescent & halogen recessed fixtures, as well as for new construction. Requiring only a 2-3/4" round hole, and with the driver inside a compact connection box (does not require an external j-box) the DLSG series is simple to install and is both IC rated and Airtight. The 38° beam with 30° tilt and 360° rotation is perfect for sloped ceilings or to highlight artwork. Triac dimmer compatible with Warm Dim feature - 3000K dims down to 2200K // 4000K dims down to 3000K. Available in round and square face in white, brushed nickel and black trim. 6W version supplies 420lm (FMW equivalent) and 8W version supplies 600lm (EXN compatible).

### FEATURES

- LED Indoor Light Source.
- 3" Gimbal Recessed Downlight.
- Durable die-cast aluminum alloy for optimal heat dissipation.
- Scratch resistant, smooth finish.
- Unique gimbal design with 30° tilt and 360° rotation.
- Type IC and Airtight, Damp location rated.
- Ceiling clearance required: 2-1/2" for Romex, 3-1/2" for MC or BX installations.
- Triac Warm Dim down to 10%.
- Warm Dim - 3000K dims to 2200K // 4000K dims to 3000K.
- Guaranteed 98% Lumen Maintenance after 6,000 hour life.
- Round and square housings available in white, black and brushed nickel.
- 5 year warranty
- L70 - 50,000 hours
- Energy Star certified.

### PRODUCT SPECIFICATIONS (OPTICAL DATA)

### PRODUCT SPECIFICATIONS (ELECTRICAL DATA)

LED TYPE	LED QTY	SYSTEM EFFICACY	LUMENS	COLOR TEMPERATURE	BEAM ANGLE	CRI	SYSTEM EFFICIENCY	VOLTAGE	POWER FREQ.	POWER FACTOR
COB	1 CHIPS	70LM/W	420LM	3000K-2200K	38°	>80CRI	>82%	AC120V	50-60HZ	>0.90

### PRODUCT SPECIFICATIONS

WATTAGE	FIXTURE MATERIAL	LIFE SPAN	STORAGE TEMP	OPERATING TEMP	PRODUCT DIMENSIONS	CARTON SIZE
6W	ACRYLIC LENS/ ALUMINUM BODY	>50,000 HOURS	-20°C~+40°C -4°F~+104°F	-20°C~+40°C -4°F~+104°F	3.31 X 3.31 X 1.73 INCHES (84 X 84 X 44 MM)	14.76 X 9.25 X 12.20 INCHES (375 X 235 X 310MM)



### ADDITIONAL INFORMATION

INSTALLATION METHOD	FIXTURE COLOR	CONTROL TYPE
RECESSED CEILING MOUNT	BRUSHED NICKEL	WARM DIM TRIAC

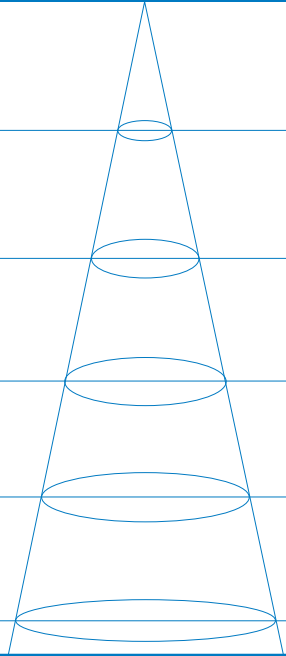
CATALOG #		TYPE
PROJECT		DATE
PREPARED BY		

**PRODUCT CODE: DLSGS3-613WD-BN**

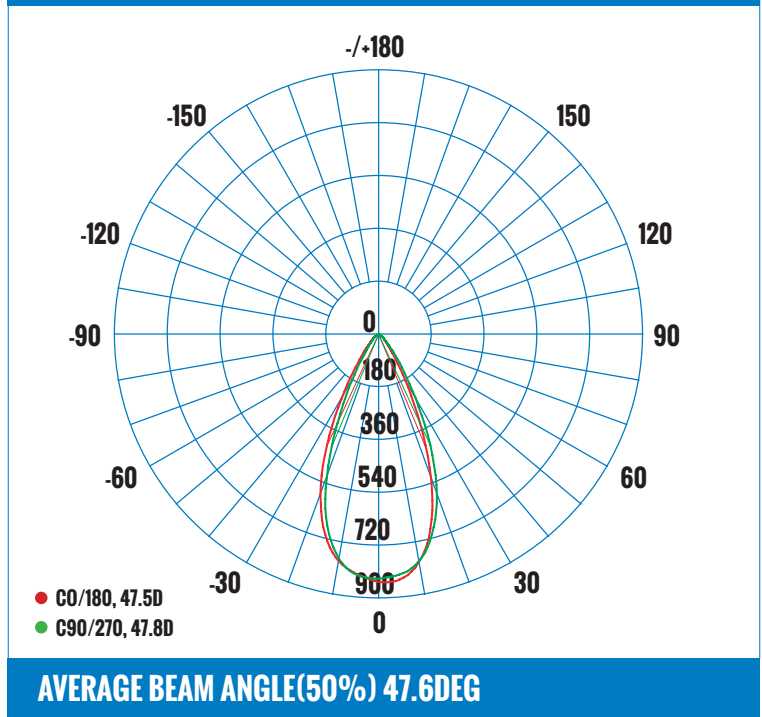
**3 INCH LED SLIM GIMBAL DOWN LIGHT**

**LUMINAIRE PHOTOMETRIC (TEST REPORT)**

**ILLUMINANCE (AT A DISTANCE) FLUX OUT: 360.5LM**

3.28FT 1M	53.78, 81.53FC 578.9, 877.5LX		2.86FT 87.18CM
6.56FT 2M	13.45, 20.38FC 144.7, 219.4LX		5.72FT 174.35CM
9.84FT 3M	5.976, 9.058FC 64.33, 97.50LX		8.58FT 261.53CM
13.12FT 4M	3.362, 5.095FC 36.18, 54.85LX		11.44FT 348.71CM
16.4FT 5M	2.151, 3.261FC 23.16, 35.10LX		14.3FT 435.89CM
<b>HT</b>	<b>EAVG/EMAX</b>	<b>ANGLE: 47.10DEG</b>	<b>DIA</b>

**LUMINOUS INTENSITY DISTRIBUTION DIAGRAM**



**CERTIFICATIONS**



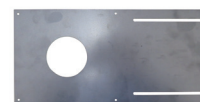
**DRIVER/LED CHIP**



**120V APPROVED DIMMERS**

LUTRON: CTCL-153PDH · CTCL-153P  
CT-600P · DVCL-153P  
LEVITON: 6672 · 6674  
COOPER: HCL453PTCCCV6

**ACCESSORIES**



ROUGH-IN PLATE  
PART# DLSGR3-RIP3



72" EXTENSION CORD  
PART# DLSGR3-EC72



240" EXTENSION CORD  
PART# DLSGR3-EC240

**ORDERING INFORMATION - DLSGS SERIES**

SERIES	SHAPE	SIZE	WATTAGE	VOLTAGE	COLOR TEMPERATURE	DIMMABLE	COLOUR
E.G. DLSG	S	3	6	1	3	WD	BN
DLSG - DOWN LIGHT	S - SQUARE	3"	6 - 6W	1 - 120V	3 - 3000K-2200K	WD - WARM DIM	WH - WHITE
SLIM GIMBAL							BL - BLACK
							BN - BRUSHED NICKEL

Head Office - 1850 Wilson Ave. · Toronto, ON · M9M 1A1 · Tel: 416.741.7336 · Fax: 416.741.9104

Toll Free: in Canada. 1.800.661.9610 · in USA. 1.888.762.5384 (SOCKETS4U)

www.etlin-daniels.com · For sales/service questions - sales@etlin.com