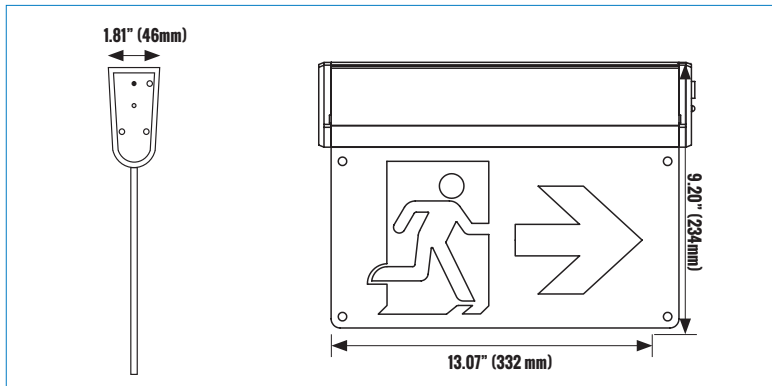


PRODUCT CODE: EE300WH-A13BB-GU
LED EXIT SIGN RUNNING MAN / EDGE LIT


HOUSING/MOUNTING

The new Etlin-Daniels EE300WH-A13BB-GU LED Edge Lit Running Man sign is constructed of aluminum and acrylic, with a sleek new design. The LED light source is evenly distributed on the Running Man pictogram images, offering 3 pictogram legends to cover all directional orientations. With its ultrathin 180° adjustable face, and universal canopy mount, the EE300 can easily be surface installed to both ceilings and walls. The white powder coat finish adds to a clean and pleasing aesthetic look, and the EE300 is a cost-effective compliment to applications from hospitality and multi-res, to commercial properties. LED's operate in AC mode and Emergency DC mode.

NOTE: This Emergency Fixture is furnished with a sophisticated low voltage battery dropout circuit to protect the battery from over-discharge after the useful output has been used. Allow 24 hours recharge time after installation or power failure for full load testing or usage.

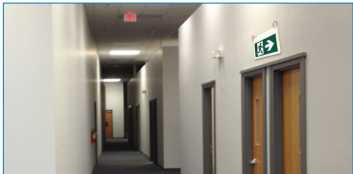
FEATURES

- Full size adjustable LED Edge Lit Running Man Exit Sign
- 3 pictograms legends for directional orientation
- 120-347V AC operation
- 1W Ultrabright LED panel for emergency mode
- AC operation with DC Battery Back-up
- Test switch and charge indicator
- Built-in 3.6V, 600mAh Ni-Cad battery
- 120 min emergency operation with 24 hour recharge time
- Suitable for damp locations
- UL Listed
- 3 year limited warranty.

PRODUCT SPECIFICATIONS (OPTICAL & ELECTRICAL DATA)

LED TYPE	LED QTY	VOLTAGE	LOW VOLTAGE	BACK UP TIME	POWER FREQUENCY	POWER FACTOR
2835 LED	12 CHIPS	120V - 347VAC	3.6VDC OP	120 MIN.	50/60HZ	120V - .90 277V - .90 347V - .90

PRODUCT SPECIFICATIONS

WATTAGE	FIXTURE MATERIAL	LIFE SPAN	STORAGE TEMP	OPERATING TEMP	PRODUCT DIMENSIONS	CARTON SIZE	
2.5W-120V 4W-347V	ABS THERMOPLASTIC	>50,000 HOURS	-10°C--40°C +14°F--104°F	-5°C--40°C +41°F--104°F	13.07 X 9.21 X 1.81 INCHES (332 X 234 X 46 MM)	14.37 X 9.96 X 2.95 INCHES (365 X 253 X 75 MM)	

ADDITIONAL INFORMATION

INSTALLATION METHOD

CEILING MOUNT / WALL MOUNT

FIXTURE COLOR

WHITE HIGH IMPACT
THERMOPLASTIC CONSTRUCTION

OPERATION TYPE

LED CIRCUITS OPERATE IN NORMAL
(AC INPUT) AND EMERGENCY
(DC INPUT) MODES

CATALOG #		TYPE
PROJECT		DATE
PREPARED BY		

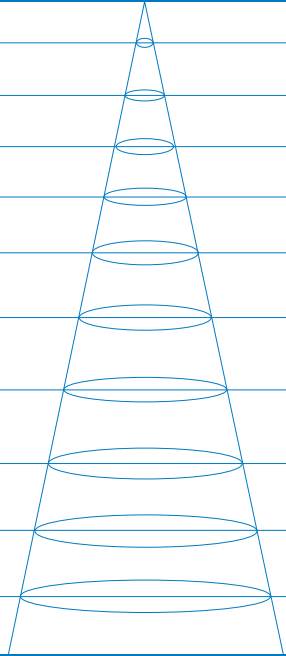
PRODUCT CODE: EE300WH-A13BB-GU

LED EXIT SIGN RUNNING MAN / EDGE LIT

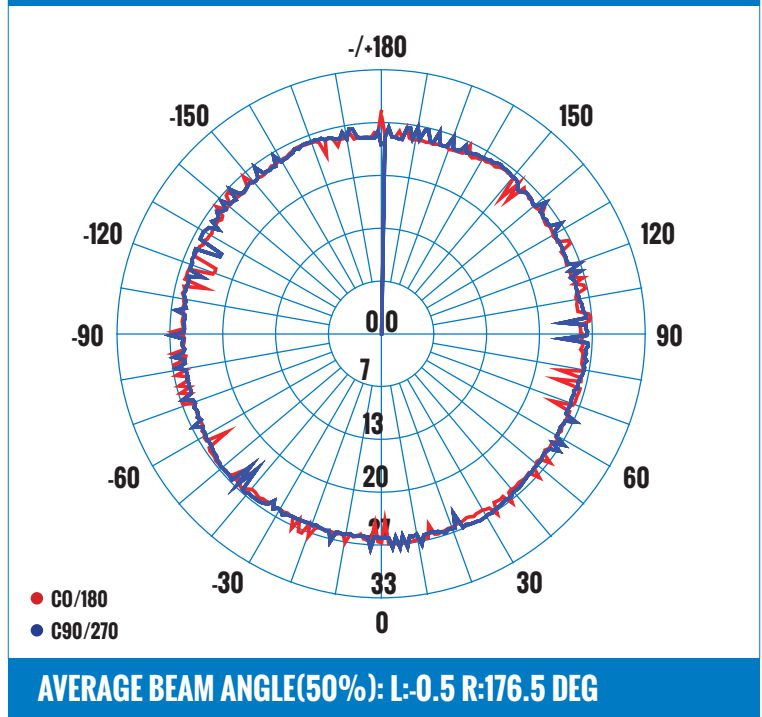


LUMINAIRE PHOTOMETRIC (TEST REPORT)

ILLUMINANCE (AT A DISTANCE) - 314.98 LM

4.92 FT 1.50 M	1.06, 1.10 FC 11.43, 11.79 LX		0.04 FT 0.01 M	
7.38 FT 2.25 M	0.47, 0.49 FC 5.08, 5.24 LX		0.06 FT 0.02 M	
11.48 FT 3.50 M	0.20, 0.20 FC 2.10, 2.17 LX		0.10 FT 0.03 M	
13.12 FT 4.00 M	0.15, 0.15 FC 1.61, 1.66 LX		0.11 FT 0.03 M	
16.40 FT 5.00 M	0.10, 0.10 FC 1.03, 1.06 LX		0.14 FT 0.04 M	
21.33 FT 6.50 M	0.06, 0.06 FC 0.61, 0.63 LX		0.18 FT 0.06 M	
22.97 FT 7.00 M	0.05, 0.05 FC 0.52, 0.54 LX		0.19 FT 0.06 M	
26.25 FT 8.00 M	0.04, 0.04 FC 0.40, 0.41 LX		0.22 FT 0.07 M	
29.53 FT 9.00 M	0.03, 0.03 FC 0.32, 0.33		0.25 FT 0.08 M	
32.81 FT 10.00 M	0.02, 0.02 FC 0.26, 0.27		0.28 FT 0.08 M	
HT	EAVG/EMAX		ANGLE: 0.5DEG	DIA

LUMINOUS INTENSITY DISTRIBUTION DIAGRAM



CERTIFICATIONS



CAN ICES-005 (B) / NMB-005 (B)

ACCESSORIES

**REPLACEMENT BATTERY
NGB-3.6V-600MAH**

ORDERING INFORMATION - EE SERIES

SERIES	MODEL	COLOR	INPUT VOLTAGE	VOLTAGE	BATTERY	FACE COLOR	MOUNTING
E.G. EE	300	WH	A	13	BB	G	U
EE - EXIT / EDGE LIT	300 - MODEL	WH - WHITE	A - AC	13 - 120V-347V	BB - BATTERY BACKUP	G - GREEN	U - UNIVERSAL

Head Office - 1850 Wilson Ave. · Toronto, ON · M9M 1A1 · Tel: 416.741.7336 · Fax: 416.741.9104

Toll Free: in Canada. 1.800.661.9610 · in USA. 1.888.762.5384 (SOCKETS4U)

www.etlin-daniels.com · For sales/service questions - sales@etlin.com