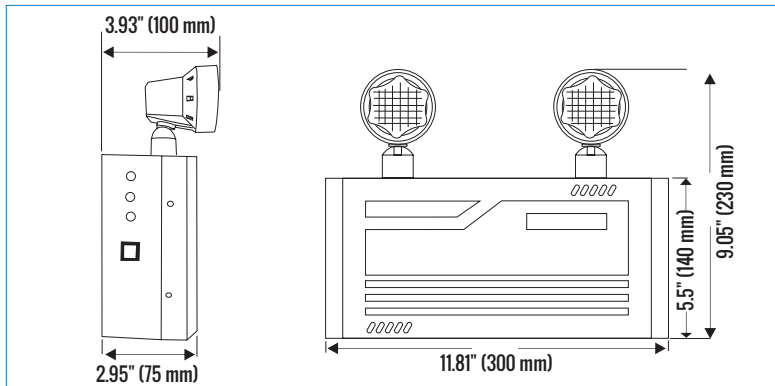


**PRODUCT CODE: ER300D-WHM-A13-BB-4RC**

**LED METAL EMERGENCY BATTERY UNIT WITH DUAL HEADS**



### HOUSING/MOUNTING

The new ER300D-WHM-A13-BB-4RC LED Battery Combo Emergency Unit is constructed with a durable steel housing and thermoplastic combo LED heads. The simple, compact design has a back-spider pattern knockout configuration for easy wall mounting. 2 fully adjustable combo heads provide 2W each of LED directional light. The internal battery can drive 32W of remote heads at 6VDC. LED's operate in AC mode and emergency DC mode.

### FEATURES

- Compact Battery Unit with Combo LED Heads
- May power up to 32W of remote heads at 6VDC
- Durable steel housing with Thermoplastic LED combo heads - each 2W
- 120V & 347V dual input operation
- 3.2W at 120V // 3.6W at 347V
- AC operation with DC battery backup
- Push button test switch / Pilot LED for AC ON & Charge
- High performance battery provides for 2 hours of emergency duration
- 24 hour recharge after 2 hours discharge
- Suitable for damp locations.
- cCSAus approved
- 3 years limited warranty.

#### WATTAGE CAPACITY

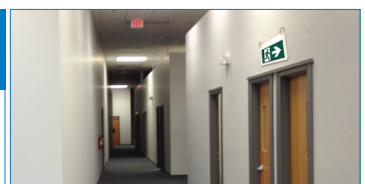
Voltage	30 min	60 min	90 min	120 min
6V	36	18	12	9

### PRODUCT SPECIFICATIONS (OPTICAL & ELECTRICAL DATA)

LED TYPE	LED QTY	VOLTAGE	POWER FREQUENCY	POWER FACTOR
SMD 45 * 45 3W LED	2 CHIPS	120V/347V	60HZ	120V - .95 347V - .95

### PRODUCT SPECIFICATIONS

WATTAGE	FIXTURE MATERIAL	LIFE SPAN	STORAGE TEMP	OPERATING TEMP	PRODUCT DIMENSIONS	CARTON SIZE
3.2W-120V 3.6W-347V	METAL STEEL	>50,000 HOURS	-10°C-+40°C -14°F-+104°F	-0°C-+40°C -32°F-+104°F	11.81 X 3.93 X 9.05 INCHES (300 X 100 X 230 MM)	12.79 X 3.54 X 9.44 INCHES (325 X 90 X 240 MM)



### ADDITIONAL INFORMATION

#### INSTALLATION METHOD

CEILING MOUNT/WALL MOUNT

#### FIXTURE COLOR

WHITE METAL STEEL CONSTRUCTION

#### CONTROL TYPE

COMBO AND REMOTE HEADS OPERATE IN DC MODE

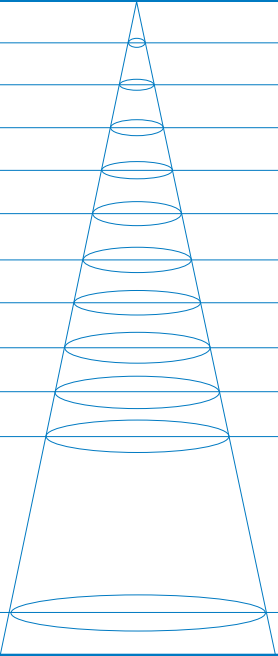
CATALOG #		TYPE
PROJECT		DATE
PREPARED BY		

**PRODUCT CODE: ER300D-WHM-A13-BB-4RC**

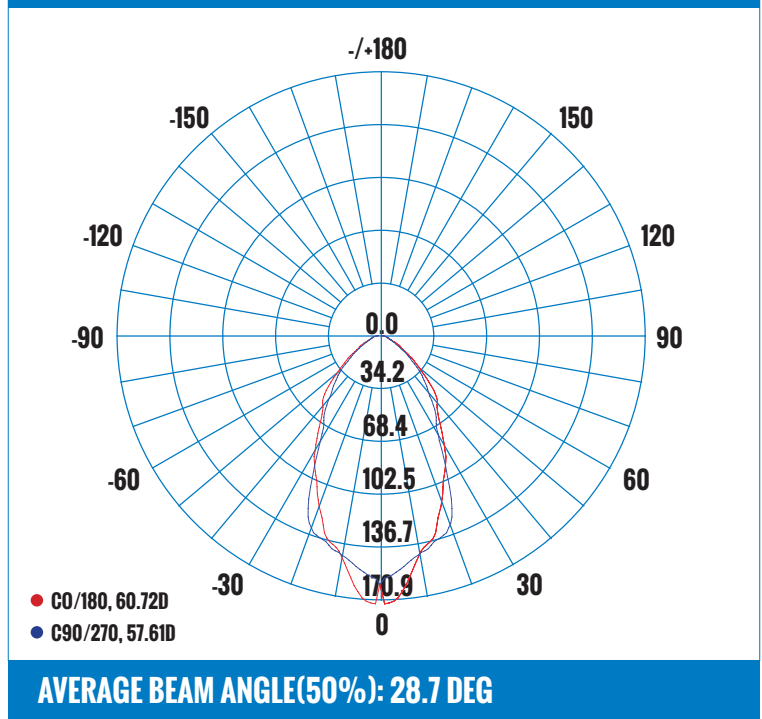
**LED METAL EMERGENCY BATTERY UNIT WITH DUAL HEADS**

**LUMINAIRE PHOTOMETRIC (TEST REPORT)**

**ILLUMINANCE (AT A DISTANCE) -**

3.28FT 1M	158.51LX		3.74FT 114.08CM
6.56FT 2M	39.63LX		7.48FT 228.16CM
9.84FT 3M	17.61LX		11.22FT 342.23CM
13.12FT 4M	9.91LX		14.97FT 456.31CM
16.40FT 5M	6.34LX		18.71FT 570.39CM
19.69FT 6M	4.40LX		22.45FT 684.47CM
22.97FT 7M	3.23LX		26.19FT 798.55CM
26.25FT 8M	2.48LX		29.94FT 912.62CM
29.52FT 9M	1.96LX		33.68FT 1026.7CM
32.80FT 10M	1.59LX		37.42FT 1140.78CM
98.42FT 30M	0.18LX		112.28FT 3422.34CM
<b>HT</b>	<b>EAVG/EMAX</b>	<b>ANGLE: 59.4DEG</b>	<b>DIA</b>

**LUMINOUS INTENSITY DISTRIBUTION DIAGRAM**



**CERTIFICATIONS**



**ACCESSORIES**

**REPLACEMENT BATTERY  
LAB-6V-6000mA**

**ORDERING INFORMATION - ER SERIES**

SERIES	MODEL	HEADS	COLOR	INPUT VOLTAGE	VOLTAGE	BATTERY	WATTAGE	REMOTE
E.G. ER	300	D	WHM	A	13	BB	4	RC
ER - EMERGENCY	300 - MODEL	D - DUAL	WH - WHITE METAL	A - AC	13 - 120-347V	BB - BATTERY BACKUP	2 X 2W	RC - REMOTE CAPABILITY

Head Office - 1850 Wilson Ave. · Toronto, ON · M9M 1A1 · Tel: 416.741.7336 · Fax: 416.741.9104

Toll Free: in Canada. 1.800.661.9610 · in USA. 1.888.762.5384 (SOCKETS4U)

www.etlin-daniels.com · For sales/service questions - sales@etlin.com