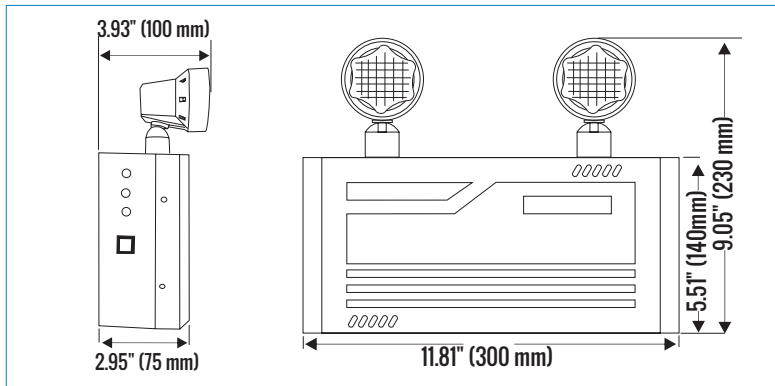


PRODUCT CODE: ER302D-WHM-A13-BB-10RC

LED METAL EMERGENCY BATTERY UNIT WITH DUAL HEADS



HOUSING/MOUNTING

The new Etlin-Daniels ER302D-WHM-A13-BB-10RC LED Battery Combo Emergency Unit is constructed with a durable steel housing and thermoplastic combo LED heads. The simple and compact design has a back spider pattern knockout configuration for easy wall mounting. 2 fully adjustable 5W heads provide bright and directional emergency illumination. The internal battery can drive 24W of remote heads at 6VDC. LED heads operate in DC mode.

WATTAGE CAPACITY

VOLTAGE	30 min	60 min	90 min	120 min
6V	34W	18W	12W	10W

FEATURES

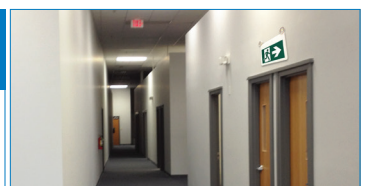
- Compact Battery Unit with Combo LED Heads
- May power up to 24W of remote heads at 6VDC
- Durable steel housing with Thermoplastic LED combo heads - each 5W
- 120V & 347V dual input operation
- 9W at 120V // 10W at 347V
- AC operation with DC battery backup
- Push button test switch / Pilot LED for AC ON & Charge
- High performance battery provides for 2 hours of emergency duration
- 24 hour recharge after 2 hours discharge
- Suitable for damp locations.
- cCSAus approved
- 3 years limited warranty.

PRODUCT SPECIFICATIONS (OPTICAL & ELECTRICAL DATA)

LED TYPE	LED QTY	VOLTAGE	POWER FREQUENCY	POWER FACTOR
SMD 5054	14 CHIPS	120V/347V	50/60HZ	120V - .95 347V - .95

PRODUCT SPECIFICATIONS

WATTAGE	FIXTURE MATERIAL	LIFE SPAN	STORAGE TEMP	OPERATING TEMP	PRODUCT DIMENSIONS	CARTON SIZE
9W-120V 10W-347V	METAL STEEL	>50,000 HOURS	-10°C~+40°C -14°F~+104°F	-5°C~+30°C -23°F~+104°F	11.81 X 3.93 X 9.05 INCHES (300 X 100 X 230 MM)	12.79 X 3.54 X 9.44 INCHES (325 X 90 X 240 MM)



ADDITIONAL INFORMATION

INSTALLATION METHOD

WALL MOUNT

FIXTURE COLOR

WHITE METAL CONSTRUCTION

OPERATION TYPE

COMBO AND REMOTE HEADS OPERATE IN DC MODE

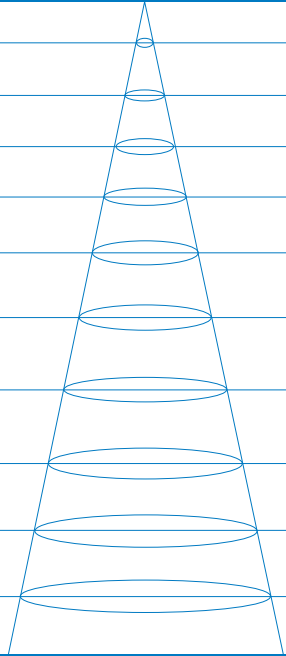
CATALOG #		TYPE
PROJECT		DATE
PREPARED BY		

PRODUCT CODE: ER302D-WHM-A13-BB-10RC

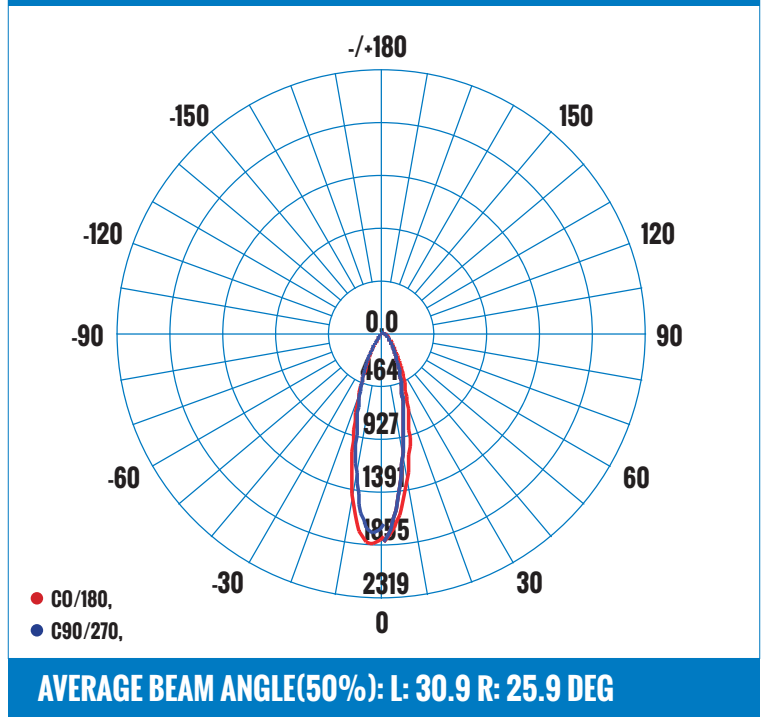
LED METAL EMERGENCY BATTERY UNIT WITH DUAL HEADS

LUMINAIRE PHOTOMETRIC (TEST REPORT)

ILLUMINANCE (AT A DISTANCE) -

3.28FT 1M	170.14, 172.33 FC 1831.40, 1854.93		1.81FT 0.55M
6.56FT 2M	42.54, 43.08 FC 457.85, 463.73		3.62FT 1.10M
9.84FT 3M	18.90, 19.15 FC 203.49, 463.73		5.44FT 1.66M
13.12FT 4M	10.63, 10.77 FC 114.46, 115.93		7.25FT 2.21M
16.40FT 5M	10.63, 10.77 FC 114.46, 115.93		9.06FT 2.76M
19.69FT 6M	4.73, 4.79 FC 50.87, 51.53		10.87FT 3.31M
22.97FT 7M	3.47, 3.52 FC 37.38, 37.86		12.68FT 3.87M
26.25FT 8M	2.66, 2.69 FC 28.62, 28.98		12.68FT 3.87M
29.53FT 9M	2.10, 2.13 FC 22.61, 22.90		16.31FT 4.97M
32.81 FT 10M	1.70, 1.72 FC 18.31, 18.55		18.12FT 5.52M
HT	EAVG/EMAX	ANGLE: 30.9DEG	DIA

LUMINOUS INTENSITY DISTRIBUTION DIAGRAM



CERTIFICATIONS



ACCESSORIES

**REPLACEMENT BATTERY
LAB-6V-6000MA**

ORDERING INFORMATION - ER SERIES

SERIES	MODEL	HEADS	COLOR	INPUT VOLTAGE	VOLTAGE	BATTERY	WATTAGE	REMOTE
E.G. ER	302	D	WHM	A	13	BB	10	RC
ER - EMERGENCY	302 - MODEL	D - DUAL	WHM - WHITE METAL	A - AC	13 - 120/347V	BB - BATTERY BACKUP	2 X 5W	RC - REMOTE CAPABILITY

Head Office - 1850 Wilson Ave. · Toronto, ON · M9M 1A1 · Tel: 416.741.7336 · Fax: 416.741.9104

Toll Free: in Canada. 1.800.661.9610 · in USA. 1.888.762.5384 (SOCKETS4U)

www.etlin-daniels.com · For sales/service questions - sales@etlin.com