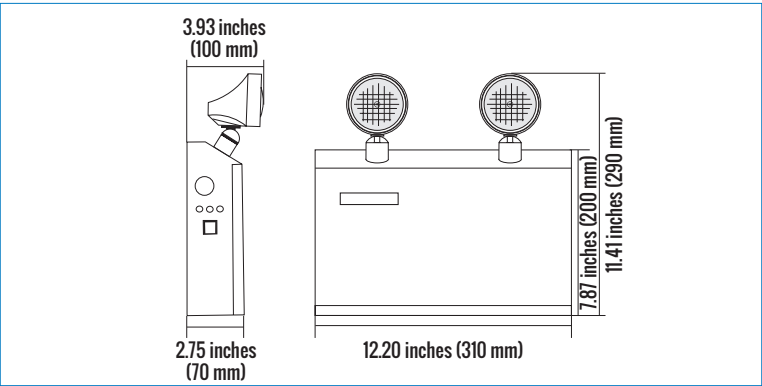


PRODUCT CODE: ER370D-WHM-A13-BB-4RC

LED METAL EMERGENCY BATTERY UNIT WITH DUAL HEADS



HOUSING/MOUNTING

The Etlin-Daniels ER370D-WHM-A13-BB-4RC LED Battery Combo Emergency Unit is constructed with a durable steel housing and thermoplastic combo LED heads. The simple and compact design has a back-spider knockout pattern for easy wall mounting.

2 fully adjustable combo heads provide 2W each of LED directional illumination. The internal battery can drive 68W of remote heads at 12VDC. LED's operate in AC mode and Emergency DC mode.

WATTAGE CAPACITY

Voltage	30 min	60 min	90 min	120 min
12V	72W	36W	24W	18W

FEATURES

- Compact Battery Unit with LED Combo Heads.
- May power up to 68W of remote heads at 12VDC.
- Durable steel housing with Thermoplastic 2W LED combo heads.
- 120V and 347V dual input operation.
- 12W at 120V // 14W at 347V.
- AC Operation with DC battery backup.
- Push button test switch.
- Diagnostic / pilot LED for AC on.
- High performance battery provides for up to 120MIN of emergency duration.
- 24 hour recharge required after 120 minute discharge.
- Suitable for damp locations.
- cCSAus approved
- 3 years limited warranty.

PRODUCT SPECIFICATIONS (OPTICAL & ELECTRICAL DATA)

LED TYPE	LED QTY	VOLTAGE	POWER FREQUENCY	POWER FACTOR
SMD2W	2 CHIPS	120V / 347V	50 / 60HZ	120V - .85 347V - .85

PRODUCT SPECIFICATIONS

WATTAGE	FIXTURE MATERIAL	LIFE SPAN	STORAGE TEMP	OPERATING TEMP	PRODUCT DIMENSIONS	CARTON SIZE
12W-120V 14W-347V	METAL STEEL	>50,000 HOURS	-0°C--40°C -32°F--104°F	-0°C--40°C -32°F--104°F	12.20 X 2.75 X 11.41 INCHES (310 X 70 X 290 MM)	12.59 X 4.33 X 12.40 INCHES (320 X 110 X 315 MM)



ADDITIONAL INFORMATION

INSTALLATION METHOD	FIXTURE COLOR	CONTROL TYPE
WALL MOUNT	WHITE METAL STEEL CONSTRUCTION	COMBO AND REMOTE HEADS OPERATE IN DC MODE

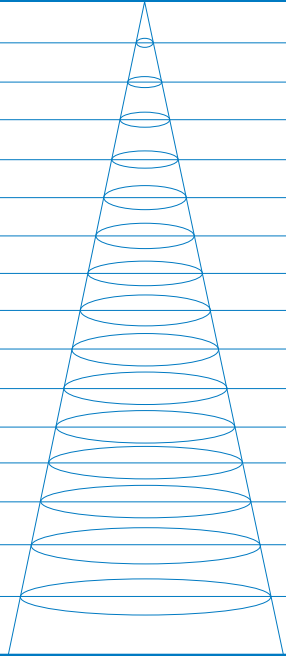
CATALOG #		TYPE
PROJECT		DATE
PREPARED BY		

PRODUCT CODE: ER370D-WHM-A13-BB-4RC

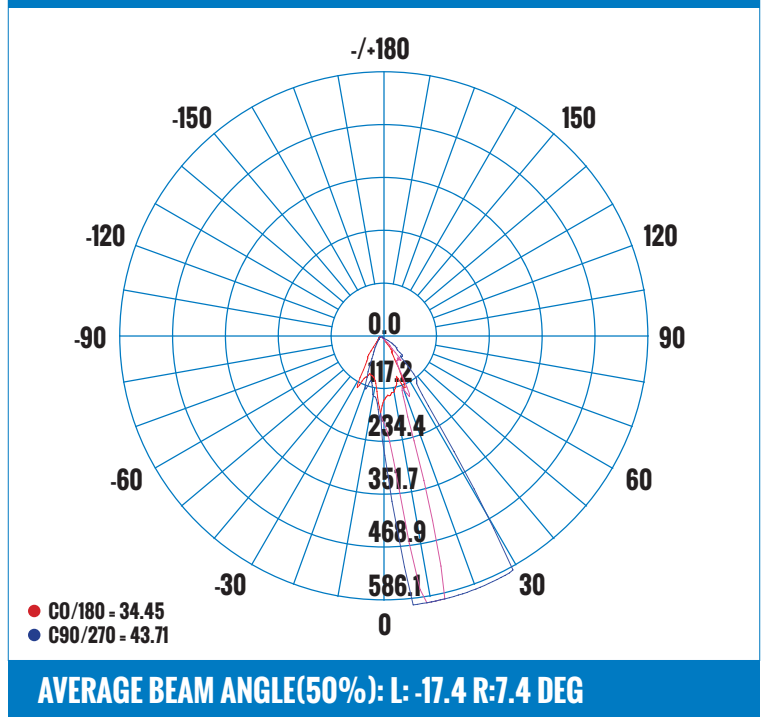
LED METAL EMERGENCY BATTERY UNIT WITH DUAL HEADS

LUMINAIRE PHOTOMETRIC (TEST REPORT)

ILLUMINANCE (AT A DISTANCE) -

3.28FT 1M	166.41LX		1.44FT 43.97CM
6.56FT 2M	41.60LX		2.88FT 87.95CM
9.84FT 3M	18.49LX		4.32FT 131.92CM
13.12FT 4M	10.40LX		5.77FT 175.89CM
16.40FT 5M	6.66LX		7.21FT 219.86CM
19.69FT 6M	4.62LX		8.65FT 263.84CM
22.97FT 7M	3.40LX		10.09FT 307.81CM
26.25FT 8M	2.60LX		11.54FT 351.78CM
29.52FT 9M	2.05LX		12.98FT 395.76CM
32.80FT 10M	1.66LX		14.42FT 439.73CM
36.08FT 11M	1.38LX		15.86FT 483.70CM
39.37FT 12M	1.16LX		17.31FT 527.67CM
42.65FT 13M	0.98LX		18.75FT 571.65CM
45.93FT 14M	0.85LX		20.19FT 615.62CM
49.21FT 15M	0.74LX		21.64FT 659.59CM
52.49FT 16M	0.65LX		23.08FT 703.57CM
HT	EAVG/EMAX	ANGLE: 24.8DEG	DIA

LUMINOUS INTENSITY DISTRIBUTION DIAGRAM



CERTIFICATIONS



ACCESSORIES

**REPLACEMENT BATTERY
LAB-12V-7000mAH**

ORDERING INFORMATION - ER SERIES

SERIES	MODEL	HEADS	COLOR	INPUT VOLTAGE	VOLTAGE	BATTERY	WATTAGE	REMOTE
E.G. ER	370	D	WHM	A	13	BB	4	RC
ER - EMERGENCY	370 - MODEL	D - DUAL	WH - WHITE METAL	A - AC	13 - 120/347V	BB - BATTERY BACKUP	2 X 2W	RC - REMOTE CAPABILITY

Head Office - 1850 Wilson Ave. · Toronto, ON · M9M 1A1 · Tel: 416.741.7336 · Fax: 416.741.9104

Toll Free: in Canada. 1.800.661.9610 · in USA. 1.888.762.5384 (SOCKETS4U)

www.etlin-daniels.com · For sales/service questions · sales@etlin.com