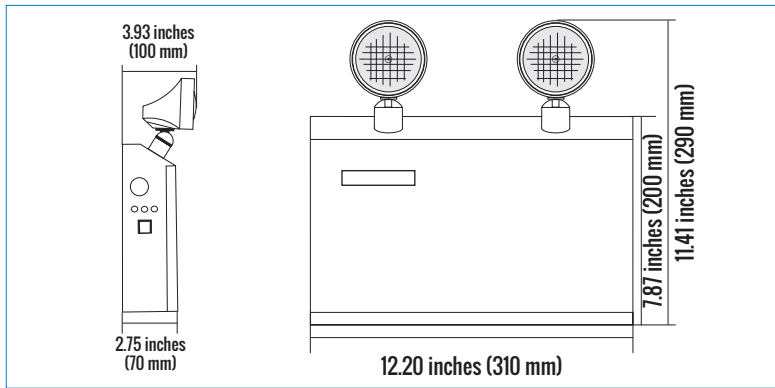


PRODUCT CODE: ER372D-WHM-A13-BB-14RC

LED METAL EMERGENCY BATTERY UNIT WITH DUAL HEADS



HOUSING/MOUNTING

The new Etlin-Daniels ER372D-WHM-A13-BB-14RC LED Battery Combo Emergency Unit is constructed with a durable steel housing and thermoplastic combo LED heads. The simple and compact design has a back spider pattern knockout configuration for easy wall mounting. 2 fully adjustable 7W heads provide bright and directional emergency illumination. The internal battery can drive 56W of remote heads at 12VDC.

FEATURES

- Compact steel Battery unit with dual thermoplastic 7W combo LED heads
- 120V & 347V dual input operation
- Test switch with charge indicator
- High performance LAB-12V 7000ma battery provides for >120 minutes of emergency DC operation
- 24 hour recharge
- Suitable for damp locations
- CSA certified
- 3 years limited warranty

WATTAGE CAPACITY

VOLTAGE	30 min	60 min	90 min	120 min
12V	70W	35W	23W	17W

PRODUCT SPECIFICATIONS (OPTICAL & ELECTRICAL DATA)

LED TYPE	LED QTY	VOLTAGE	POWER FREQUENCY	POWER FACTOR
SMD 5054	14 CHIPS	120V/347V	50/60HZ	120V - .90 347V - .90

PRODUCT SPECIFICATIONS

WATTAGE	FIXTURE MATERIAL	LIFE SPAN	STORAGE TEMP	OPERATING TEMP	PRODUCT DIMENSIONS	CARTON SIZE
10W-120V 14.5W-347V	METAL STEEL	>50,000 HOURS	-10°C~+40°C +14°F~+104°F	-5°C~+30°C +23°F~+104°F	12.20 X 2.75 X 11.41 INCHES (310 X 70 X 290 MM)	12.59 X 4.33 X 12.32 INCHES (320 X 110 X 313 MM)



ADDITIONAL INFORMATION

INSTALLATION METHOD

WALL MOUNT

FIXTURE COLOR

WHITE METAL CONSTRUCTION

OPERATION TYPE

COMBO AND REMOTE HEADS
OPERATE IN DC MODE

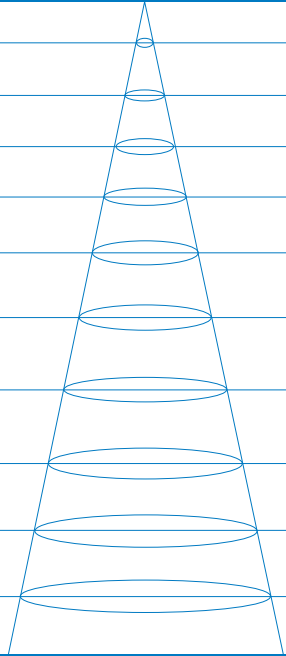
CATALOG #		TYPE
PROJECT		DATE
PREPARED BY		

PRODUCT CODE: ER372D-WHM-A13-BB-14RC

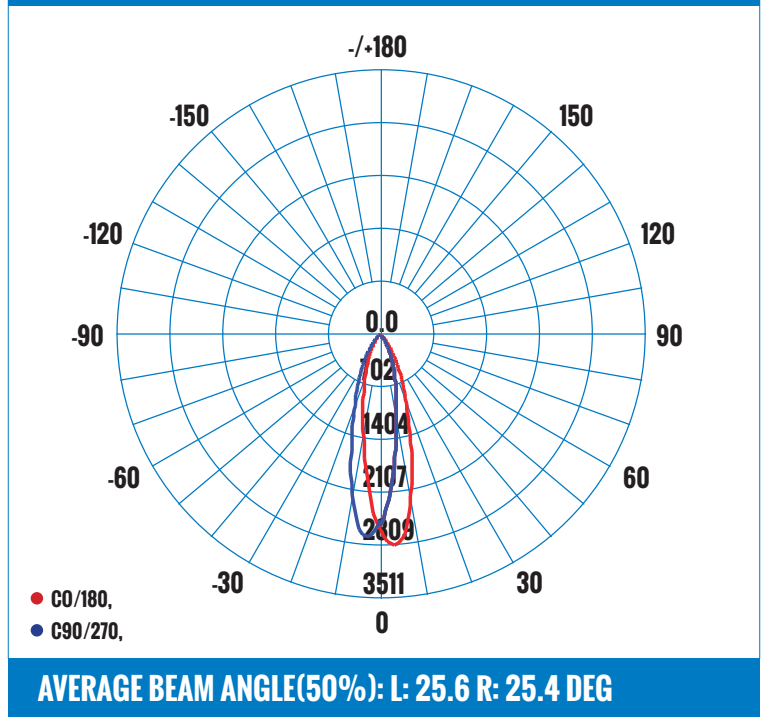
LED METAL EMERGENCY BATTERY UNIT WITH DUAL HEADS

LUMINAIRE PHOTOMETRIC (TEST REPORT)

ILLUMINANCE (AT A DISTANCE) -

3.28FT 1M	239.42, 260.96 FC 2577.14, 2808.99 LX		1.49FT 0.45M
6.56FT 2M	59.86, 65.24 FC 644.29, 702.25 LX		2.98FT 0.91M
9.84FT 3M	26.60, 29.00 FC 286.35, 312.11 LX		4.48FT 1.36M
13.12FT 4M	14.96, 16.31 FC 161.07, 175.56 LX		5.97FT 1.82M
16.40FT 5M	9.58, 10.44 FC 103.09, 112.36 LX		7.46FT 2.27M
19.69FT 6M	6.65, 7.25 FC 71.59, 78.03 LX		8.95FT 2.73M
22.97FT 7M	4.89, 5.33 FC 52.59, 57.33 LX		10.45FT 3.18M
26.25FT 8M	3.74, 4.08 FC 40.27, 43.89		11.94FT 3.64M
29.53FT 9M	2.96, 3.22 FC 31.82, 34.68		13.43FT 4.09M
32.81 FT 10M	2.39, 2.61 FC 25.77, 28.09		14.92FT 4.55M
HT	EAVG/EMAX	ANGLE: 25.6DEG	DIA

LUMINOUS INTENSITY DISTRIBUTION DIAGRAM



CERTIFICATIONS



ACCESSORIES

**REPLACEMENT BATTERY
LAB-12V-7000MA**

ORDERING INFORMATION - ER SERIES

SERIES	MODEL	HEADS	COLOR	INPUT VOLTAGE	VOLTAGE	BATTERY	WATTAGE	REMOTE
E.G. ER	372	D	WHM	A	13	BB	14	RC
ER - EMERGENCY	372 - MODEL	D - DUAL	WHM - WHITE METAL	A - AC	13 - 120/347V	BB - BATTERY BACKUP	2 X 7W	RC - REMOTE CAPABILITY

Head Office - 1850 Wilson Ave. · Toronto, ON · M9M 1A1 · Tel: 416.741.7336 · Fax: 416.741.9104

Toll Free: in Canada. 1.800.661.9610 · in USA. 1.888.762.5384 (SOCKETS4U)

www.etlin-daniels.com · For sales/service questions - sales@etlin.com