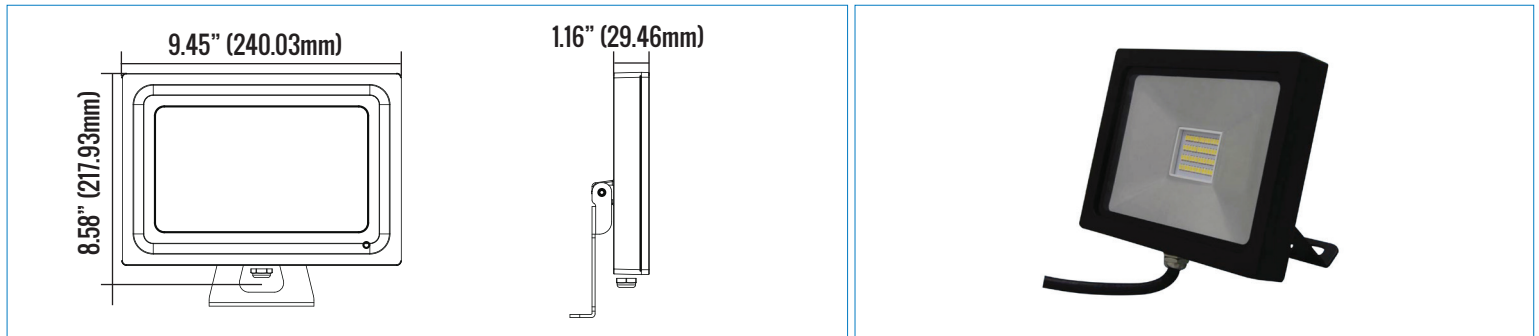


PRODUCT CODE: FLS44-30U4N-BL-YK
LED FLOOD LIGHT/YOKE BRACKET


PRODUCT DESCRIPTION

The new Etlin-Daniels FLS44 LED Low Wattage Flood generation offers the latest in compact design and lumen efficacy. The simple and aesthetically pleasing design will compliment a wide range of industrial, commercial and residential applications. The durable and Wet Location rated IP65 high purity aluminum alloy body and tempered glass lens allow for long, energy efficient life. Fixtures are available in 10W / 30W / 50W with both yoke and knuckle mounting. For installation convenience, all fixtures come with a 1 meter whip.

FEATURES


- LED Outdoor Light Source
- Tempered glass lens.
- IP65 Wet Location rated
- 1 meter whip included
- Yoke mount & Knuckle mount available
- Non-Dimmable
- 5 year warranty
- L70 - 50,000 hours
- DLC Standard.

PRODUCT SPECIFICATIONS (OPTICAL DATA)

PRODUCT SPECIFICATIONS (ELECTRICAL DATA)

LED TYPE	LED QTY	SYSTEM EFFICACY	LUMENS	COLOR TEMPERATURE	BEAM ANGLE	CRI	VOLTAGE	POWER FREQ.	POWER EFFICIENCY	POWER FACTOR	HARMONIC DISTORTION
SMD 2835	40 CHIPS	120LM/W	3600LM	4000K	110°	>80CRI	AC120V~277V	50-60HZ	>90%	>0.90	<20%

PRODUCT SPECIFICATIONS

WATTAGE	FIXTURE MATERIAL	INGRESS PROTECT	LIFE SPAN	STORAGE TEMP	OPERATING TEMP	PRODUCT DIMENSIONS	CARTON SIZE	
30W	DIE CAST ALUMINUM/BLACK	IP65	>50,000 HOURS	-40°C~+50°C -40°F~+122°F	-40°C~+40°C -40°F~+104°F	9.45 X 8.58 X 1.16 INCHES (240.03 X 217.93 X 29.46 MM)	9.65 X 8.66X 2.17 INCHES (245.11 X 219.96X 55.11 MM)	

ADDITIONAL INFORMATION

INSTALLATION METHOD

YOKE MOUNT

FIXTURE COLOR

ALUMINUM BODY/BLACK

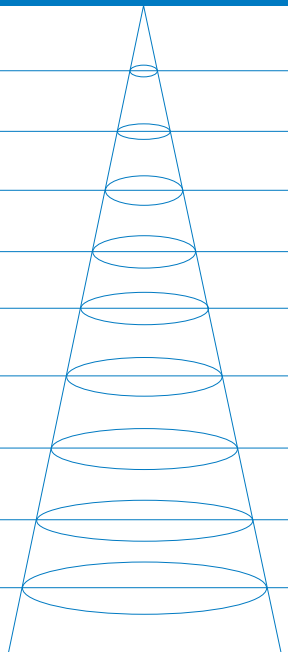
CONTROL TYPE

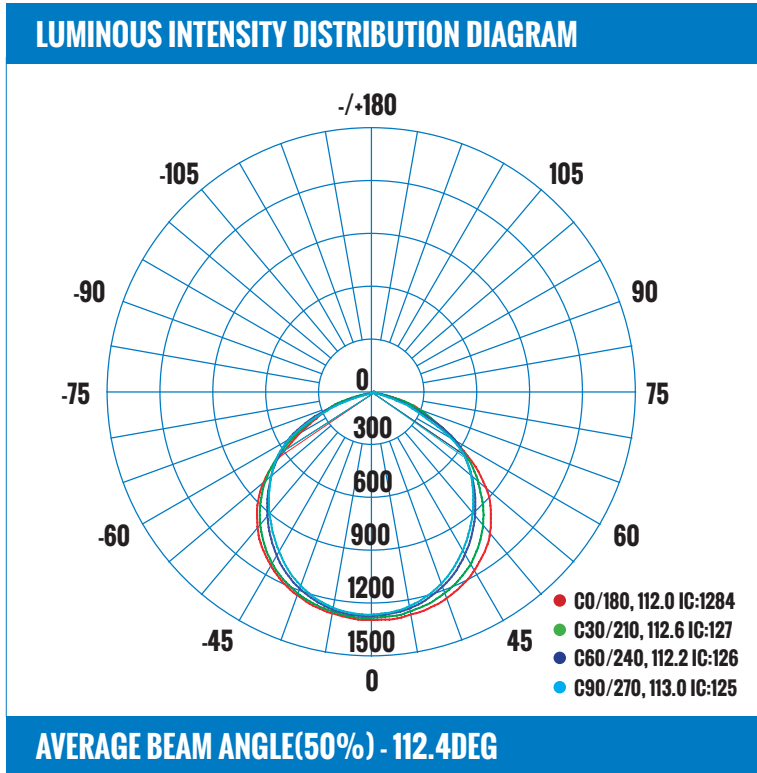
NON-DIMMABLE

PRODUCT CODE: FLS44-30U4N-BL-YK

LED FLOOD LIGHT/YOKE BRACKET

LUMINAIRE PHOTOMETRIC (TEST REPORT)

ILLUMINANCE (AT A DISTANCE) - FLUX OUT: 2652LM			
3.28FT 1M	384.1, 1283LX		9.62FT 2.93M
6.56FT 2M	96.03, 320.8LX		19.25FT 5.86M
9.84FT 3M	42.68, 142.6LX		28.88FT 8.80M
13.12FT 4M	24.01, 80.20LX		38.50FT 11.73M
16.40FT 5M	15.37, 51.33LX		48.13FT 14.67M
19.69FT 6M	10.67, 35.64LX		57.76FT 17.60M
22.97FT 7M	7.839, 26.19LX		67.38FT 20.54M
26.25FT 8M	6.002, 20.05LX		77.01FT 23.47M
29.52FT 9M	4.742, 15.84LX		86.64FT 26.40M
32.80FT 10M	3.841, 12.83LX		96.26FT 29.34M
HT	EAVG/EMAX	ANGLE: 111.44DEG	DIA



CERTIFICATIONS



DRIVER/LED CHIP

SMD

ORDERING INFORMATION - FL4 SERIES

SERIES	SIZE	DLC TYPE	WATTAGE	VOLTAGE	COLOR TEMPERATURE	DIMMABLE	FINISH	BRACKET
E.G. FL	S	44	30	U	4	N	BL	YK
FL - FLOOD LIGHT	S - SMALL	44 - DLC	30 - 30W	U - 120-277V	4-4000K	N - NO	BL - BLACK	YK - YOKE MOUNT

Head Office - 1850 Wilson Ave. - Toronto, ON - M9M 1A1 - Tel: 416.741.7336 - Fax: 416.741.9104

Toll Free: in Canada. 1.800.661.9610 - in USA. 1.888.762.5384 (SOCKETS4U)

www.etlin-daniels.com - For sales/service questions - sales@etlin.com