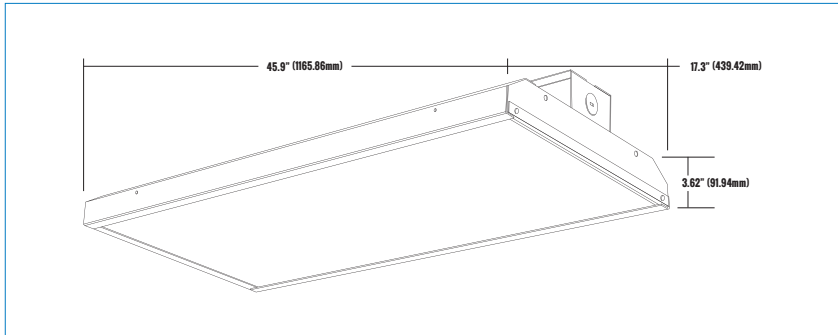


CATALOG #		TYPE
PROJECT		DATE
PREPARED BY		

**PRODUCT CODE: HBL4-321340-WH**      **LED LINEAR HIGH BAY/4FT**      



**PRODUCT DESCRIPTION**

The Etlin-Daniels HBL4-321340-WH, 347V LED Linear Highbay offers excellent illumination, color rendering and energy savings in a compact 4 foot package. With over 130lm/w, and almost 42,000lm, we now have a significant and cost effective option to replace 1,000W Metal Halide fixtures with their typical poor lumen depreciation and life ratings. These fixtures provide high lumen levels and have precision designed frosted optics for even illumination and minimal glare. By taking advantage of the optional wire guards, multiple mounting and color temperatures choices excellent color rendering, and available 0-10V Continuous Dimming, the HBL4-347V series is the right solution for industrial, commercial, big box retail and sports facilities.


**FEATURES**

- Indoor LED Light Source
- >130lm/w
- Compact, light weight 4 foot design
- Precision designed frosted optics
- Wire guards available
- Fixture package includes V-Hooks and chain for suspension mount
- Pendant mount option available.
- Damp location rated
- 0-10V Continuous Dimming
- 5 Year Warranty
- L70 - 50,000 hours
- DLC Premium

PRODUCT SPECIFICATIONS (OPTICAL DATA)								PRODUCT SPECIFICATIONS (ELECTRICAL DATA)				
LED TYPE	LED QTY	SYSTEM EFFICACY	LUMENS	COLOR TEMPERATURE	BEAM ANGLE	CRI	SYSTEM EFFICIENCY	VOLTAGE	POWER FREQ.	POWER EFFICIENCY	POWER FACTOR	HARMONIC DISTORTION
SEOUL	504 CHIPS	130LM/W	41,730LM	4000K	120°	>80CRI	>85%	AC347-480V	50-60HZ	>85%	>0.9	<10%

**PRODUCT SPECIFICATIONS**

WATTAGE	FIXTURE MATERIAL	LIFE SPAN	STORAGE TEMP	OPERATING TEMP	PRODUCT DIMENSIONS	CARTON SIZE
321W	BAKED WHITE ENAMEL/ OPAL LENS DIFFUSER	>50,000 HOURS	-30°C~+50°C -22°F~+122°F	-40°C~-80°C -40°F~-176°F	45.9 X 17.3 X 3.62 INCHES (1165.86 X 439.42 X 91.95 MM)	47.04 X 17.68 X 3.86 INCHES (1195 X 449 X 98 MM)



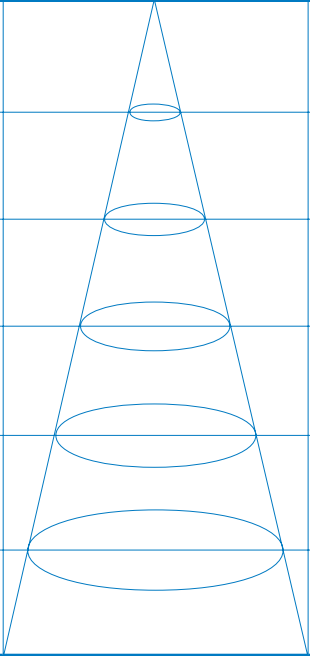
ADDITIONAL INFORMATION	INSTALLATION METHOD	FIXTURE COLOR	CONTROL TYPE
	V HOOK & CHAIN/PENDANT MOUNT APPLICATIONS	WHITE ENAMEL/OPAL LENS	0-10V CONTINUOUS DIMMING

CATALOG #		TYPE
PROJECT		DATE
PREPARED BY		

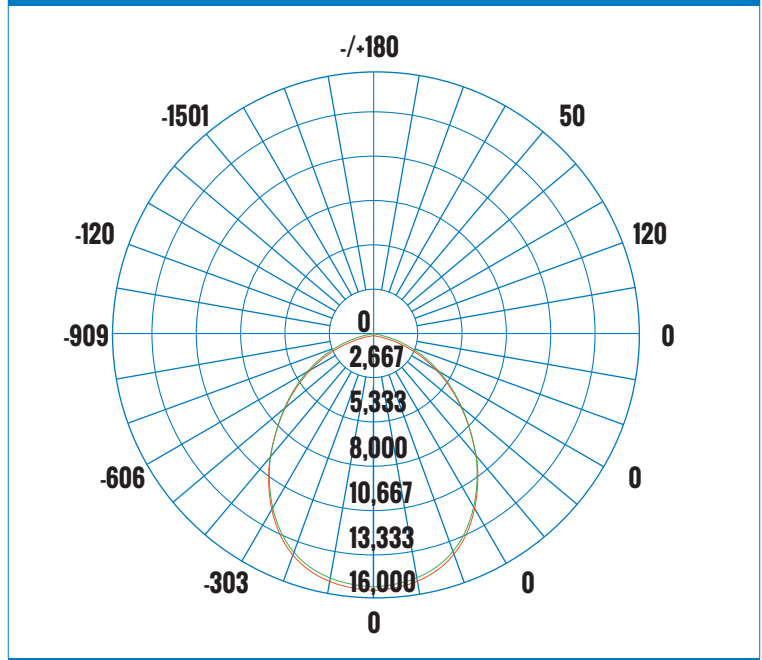
**PRODUCT CODE: HBL4-321340-WH LED LINEAR HIGH BAY/4FT**

**LUMINAIRE PHOTOMETRIC (TEST REPORT)**

**ILLUMINANCE (AT A DISTANCE) - FLUX OUT: 41,730LM**

2.30FT 0.7M	35,033.63LX		5.58FT 170CM
4.27FT 1.3M	8,758.41LX		11.48FT 350CM
6.56FT 2.0M	3,892.63LX		17.06FT 520CM
8.85FT 2.7M	2,189.60LX		22.64FT 690CM
10.83FT 3.3M	1,401.35LX		28.54FT 870CM
13.12FT 4.0M	973.16LX		34.12FT 1040CM
<b>HT</b>	<b>EAVG/EMAX</b>	<b>ANGLE: 104.8DEG</b>	<b>DIA</b>

**LUMINOUS INTENSITY DISTRIBUTION DIAGRAM**



**AVERAGE BEAM ANGLE(50%) - 104.8DEG**

**CERTIFICATIONS**

**DRIVER/LED CHIP**



**MOUNTING OPTIONS/ACCESSORIES**



**ORDERING INFORMATION - HBL4 SERIES**

SERIES	SIZE	WATTS	VOLTAGE	COLOR TEMPERATURE	DIMMABLE	FINISH
E.G. HBL	4	321	3	4	0	WH
HBL - HIGH BAY LINEAR	4 - 4'	321 - 321W	3 - 347V	4 - 4000K	0 - 0-10V	WH - WHITE
					CONTINUOUS	
					DIMMING	

Head Office - 1850 Wilson Ave. · Toronto, ON · M9M 1A1 · Tel: 416.741.7336 · Fax: 416.741.9104

Toll Free: in Canada. 1.800.661.9610 · in USA. 1.888.762.5384 (SOCKETS4U)

www.etlin-daniels.com · For sales/service questions - sales@etlin.com