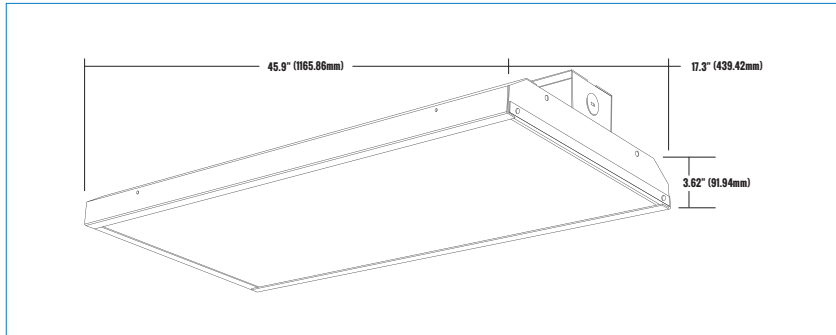


CATALOG #		TYPE
PROJECT		DATE
PREPARED BY		

**PRODUCT CODE: HBL4-321350-WH**
**LED LINEAR HIGH BAY/4FT**


## PRODUCT DESCRIPTION

The Etlin-Daniels HBL4-321350-WH, 347V LED Linear Highbay offers excellent illumination, color rendering and energy savings in a compact 4 foot package. With over 131lm/w, and almost 42,000lm, we now have a significant and cost effective option to replace 1,000W Metal Halide fixtures with their typical poor lumen depreciation and life ratings.

These fixtures provide high lumen levels and have precision designed frosted optics for even illumination and minimal glare. By taking advantage of the optional wire guards, multiple mounting and color temperatures choices excellent color rendering, and available 0-10V Continuous Dimming, the HBL4-347V series is the right solution for industrial, commercial, big box retail and sports facilities.

## FEATURES


- Indoor LED Light Source
- >131lm/w
- Compact, light weight 4 foot design
- Precision designed frosted optics
- Wire guards available
- Fixture package includes V-Hooks and chain for suspension mount
- Pendant mount option available.
- Damp location rated
- 0-10V Continuous Dimming
- 5 Year Warranty
- L70 - 50,000 hours
- DLC Premium

## PRODUCT SPECIFICATIONS (OPTICAL DATA)

LED TYPE	LED QTY	SYSTEM EFFICACY	LUMENS	COLOR TEMPERATURE	BEAM ANGLE	CRI	SYSTEM EFFICIENCY	VOLTAGE	POWER FREQ.	POWER EFFICIENCY	POWER FACTOR	HARMONIC DISTORTION
SEOUL	504 CHIPS	121.5LM/W	42,051LM	5000K	120°	>80CRI	>85%	AC347 480V	50~60HZ	>85%	>0.9	<10%

## PRODUCT SPECIFICATIONS (ELECTRICAL DATA)

## PRODUCT SPECIFICATIONS

WATTAGE	FIXTURE MATERIAL	LIFE SPAN	STORAGE TEMP	OPERATING TEMP	PRODUCT DIMENSIONS	CARTON SIZE	
321W	BAKED WHITE ENAMEL/ OPAL LENS DIFFUSER	>50,000 HOURS	-30°C~+50°C -22°F~+122°F	-40°C~+80°C -40°F~+176°F	45.9 X 17.3 X 3.62 INCHES (1165.86 X 439.42 X 91.95 MM)	47.04 X 17.68 X 3.86 INCHES (1195 X 449 X 98 MM)	

## ADDITIONAL INFORMATION

### INSTALLATION METHOD

V HOOK & CHAIN/PENDANT MOUNT APPLICATIONS

### FIXTURE COLOR

WHITE ENAMEL/OPAL LENS

### CONTROL TYPE

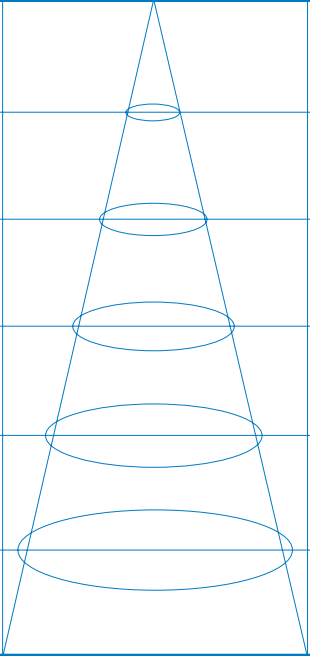
0-10V CONTINUOUS DIMMING

CATALOG #		TYPE
PROJECT		DATE
PREPARED BY		

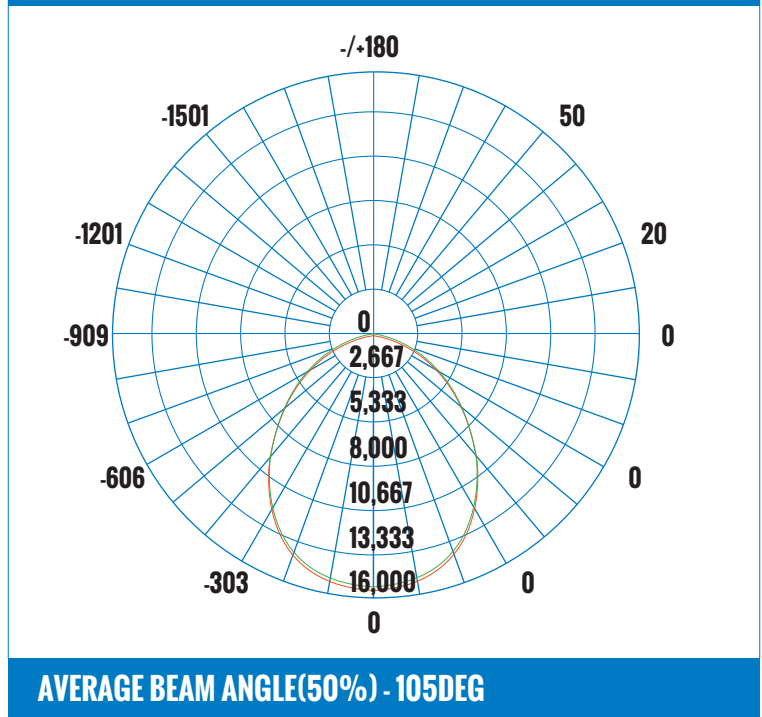
**PRODUCT CODE: HBL4-321350-WH LED LINEAR HIGH BAY/4FT**

**LUMINAIRE PHOTOMETRIC (TEST REPORT)**

**ILLUMINANCE (AT A DISTANCE) - FLUX OUT: 42,051LM**

5.57FT 0.7M	35,554.50LX		5.577FT 170CM
8.86FT 1.3M	8,888.63LX		11.48FT 350CM
12.13FT 2.0M	3,950.50LX		17.06FT 520CM
15.41FT 2.7M	2,222.16LX		22.96FT 700CM
18.70FT 3.3M	1,422.18LX		28.54FT 870CM
13.123FT 4.0M	987.63LX		34.12FT 1040CM
<b>HT</b>	<b>EAVG/EMAX</b>	<b>ANGLE: 105DEG</b>	<b>DIA</b>

**LUMINOUS INTENSITY DISTRIBUTION DIAGRAM**



**CERTIFICATIONS**

**DRIVER/LED CHIP**



**MOUNTING OPTIONS/ACCESSORIES**



**ORDERING INFORMATION - HBL4 SERIES**

SERIES	SIZE	WATTS	VOLTAGE	COLOR TEMPERATURE	DIMMABLE	FINISH
E.G. HBL	4	321	3	5	0	WH
HBL - HIGH BAY LINEAR	4 - 4'	321 - 321W	3 - 347V	5 - 5000K	0 - 0-10V CONTINUOUS DIMMING	WH - WHITE

Head Office - 1850 Wilson Ave. - Toronto, ON - M9M 1A1 - Tel: 416.741.7336 - Fax: 416.741.9104

Toll Free: in Canada. 1.800.661.9610 - in USA. 1.888.762.5384 (SOCKETS4U)

www.etlin-daniels.com - For sales/service questions - sales@etlin.com