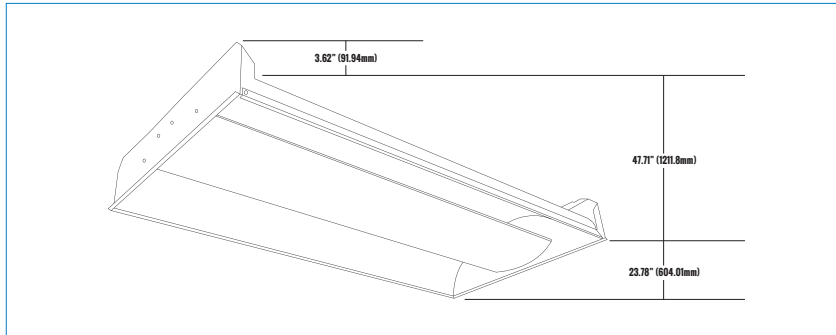


CATALOG #		TYPE
PROJECT		DATE
PREPARED BY		

PRODUCT CODE: RTDIBS24-34U350
LED DIRECT/INDIRECT SINGLE BASKET/2X4
E20

TROFFERS

PRODUCT DESCRIPTION

The Etlin-Daniels RTDIBS24-34U350 architectural basket troffer sets a new standard in optical and LED technology to highlight many applications. The aesthetically pleasing design provides high levels of light in a soft, glare-free package. The Indirect construction delivers a comfortable and evenly distributed light that eliminates surface shadowing.

Perfect for both large and small private and public office areas, classrooms and hallways, libraries, cafeterias and dining rooms, hospitals and waiting rooms, and long-term care facilities. Take advantage of the available 0-10V Continuous Dimming for further energy savings. These are available in 3500K & 4000K in 2 lumen levels.

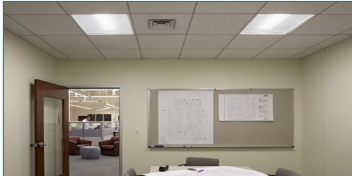
FEATURES

- Indoor LED Fixture
- 125lm/w
- Light Weight, shallow design
- Frosted optics for glare free light distribution
- Suitable for Damp Location, Type IC
- 0-10V Continuous Dimming
- 5 year warranty
- L70 - 50,000 hours
- DLC Standard

PRODUCT SPECIFICATIONS (OPTICAL DATA)

LED TYPE	LED QTY	SYSTEM EFFICACY	LUMENS	COLOR TEMPERATURE	BEAM ANGLE	CRI	SYSTEM EFFICIENCY	VOLTAGE	POWER FREQ.	POWER EFFICIENCY	POWER FACTOR	HARMONIC DISTORTION
SEOUL	96 CHIPS	125LM/W	4250LM	3500K	120°	>80CRI	>85%	AC120V~ 277V	50-60HZ	>85%	>0.90	<10%

PRODUCT SPECIFICATIONS (OTHERS)

WATTAGE	FIXTURE MATERIAL	LIFE SPAN	STORAGE TEMP	OPERATING TEMP	PRODUCT DIMENSIONS	CARTON SIZE	
34W	BAKED WHITE ENAMEL/ OPAL LENS DIFFUSER	>50,000 HOURS	-40°C~-80°C -40°F~-176°F	-30°C~+50°C -22°F~-122°F	47.71 X 3.62 X 23.78 INCHES (1211 X 91.94 X 604 MM)	48.82 X 4.13 X 24.41 INCHES (1240 X 105 X 620 MM)	

ADDITIONAL INFORMATION

INSTALLATION METHOD

RECESSED MOUNT

FIXTURE COLOR/DIFFUSER

**BAKED WHITE ENAMEL/
OPAL DIFFUSER**

CONTROL TYPE

0-10V CONTINUOUS DIMMING

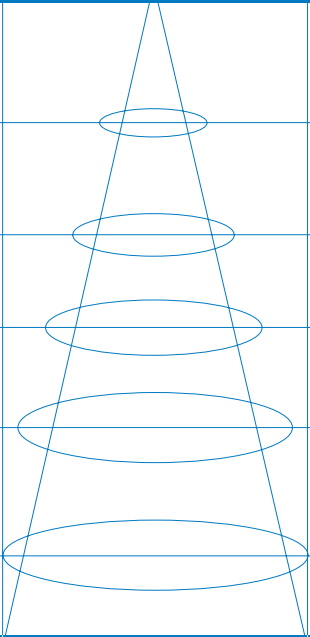
CATALOG #		TYPE
PROJECT		DATE
PREPARED BY		

PRODUCT CODE: RTDIBS24-34U350

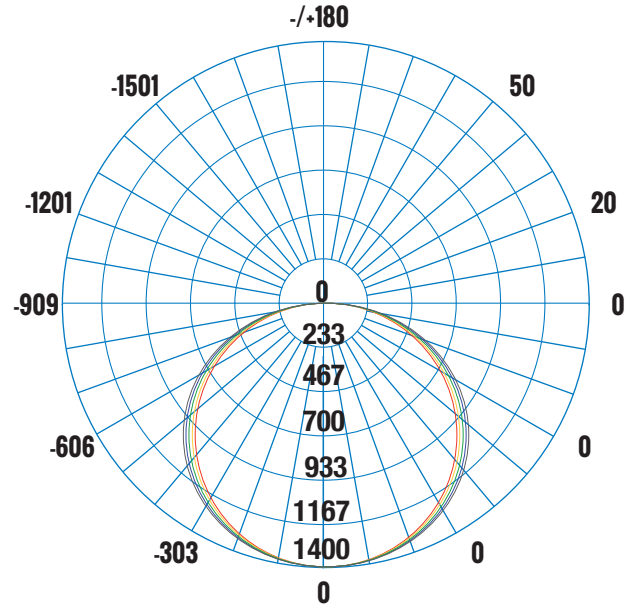
LED DIRECT/INDIRECT SINGLE BASKET/2X4

LUMINAIRE PHOTOMETRIC (TEST REPORT)

ILLUMINANCE (AT A DISTANCE)
FLUX OUT: 4,250LM

2.30FT 0.7M	3,103.43LX		9.19FT 280CM
4.27FT 1.3M	775.86LX		18.37FT 560CM
6.56FT 2.0M	344.83LX		27.56FT 840CM
8.86FT 2.7M	193.96LX		36.75FT 1120CM
10.83FT 3.3M	124.14LX		45.93FT 1400CM
13.12FT 4.0M	86.21LX		55.12FT 1680CM
HT	EAVG/EMAX	ANGLE: 129.1DEG	DIA

LUMINOUS INTENSITY DISTRIBUTION DIAGRAM



AVERAGE BEAM ANGLE(50%) - 129.1DEG

CERTIFICATIONS



DRIVER/LED CHIP

SAMSUNG



ORDERING INFORMATION - RTDIB SERIES

SERIES	BASKET	SIZE	WATTAGE	VOLTAGE	COLOR TEMPERATURE	DIMMABLE
E.G. RTDIB	S	24	34	U	35	0
RTDIB - RECESSED TROFFER DIRECT/INDIRECT BASKET	S - SINGLE	24 - 2X4	34 - 34W	U - 120-277V	35 - 3500K	0 - 0-10V

Head Office - 1850 Wilson Ave. · Toronto, ON · M9M 1A1 · Tel: 416.741.7336 · Fax: 416.741.9104

Toll Free: in Canada. 1.800.661.9610 · in USA. 1.888.762.5384 (SOCKETS4U)

www.etlin-daniels.com · For sales/service questions - sales@etlin.com