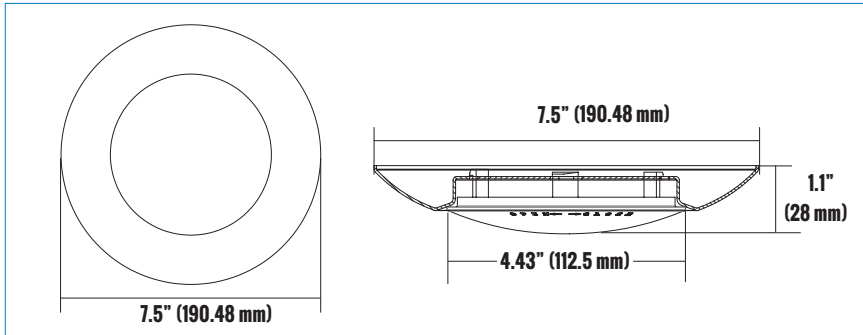


CATALOG #		TYPE
PROJECT		DATE
PREPARED BY		

**PRODUCT CODE: RTFFR56-151-3D-WH**
**6 INCH APERTURE DISK LIGHT SURFACE MOUNT**
**A11**

**CEILING FLUSH MOUNTS**
**PRODUCT DESCRIPTION**

The Etlin-Daniels Low Profile LED Surface Mount Disk Light RTFFR56-151-XX-WH offers the latest in both energy savings and ease of installation. At only 1.3 inches in depth and 7.4 inches in width, and with its translucent white polycarbonate diffuser, the RTFFR56 series provides a 105° beam pattern of glare free, energy efficient illumination. The keyless slot rear mounting profile allows for a simple and quick installation in minutes. Triac dimmable and wet location rated, the indoor applications include a wide range from closets and storage areas, basements and stairwells, to general lighting in small rooms. Available in both 3000K & 4000K.

**FEATURES**

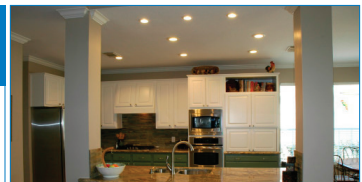
- Indoor LED light source.
- Surface mount, low profile - 1.1" housing with 105° translucent polycarbonate diffuser.
- Keyless slot mounting to j-boxes.
- Wet location and IC rated.
- Triac dimmable.
- 5 year warranty.
- L70 50,000 hours.
- Energy Star approved.

**PRODUCT SPECIFICATIONS (OPTICAL DATA)**

LED TYPE	LED QTY	SYSTEM EFFICACY	LUMENS	COLOR TEMPERATURE	BEAM ANGLE	CRI	SYSTEM EFFICIENCY	VOLTAGE	POWER FREQ.	POWER EFFICIENCY	POWER FACTOR	HARMONIC DISTORTION
DOB	28 CHIPS	66.7LM/W	1000LM	3000K	105°	>80CRI	>75%	120V	60HZ	>85%	>0.95	<20%

**PRODUCT SPECIFICATIONS (ELECTRICAL DATA)**
**PRODUCT SPECIFICATIONS**

WATTAGE	FIXTURE MATERIAL	INGRESS PROTECT	LIFE SPAN	STORAGE TEMP	OPERATING TEMP	PRODUCT DIMENSIONS	CARTON SIZE
15W	ALUMINUM /PLASTIC	IP44	>50,000 HOURS	+5°C - 30°C - 41°F-22°F	-20°C -40°C - 4°F-104°F	7.5 X 1.1 INCHES (190.48 X 28 MM)	16.38 X 9 X 16.38 INCHES (416 X 229 X 416 MM)


**ADDITIONAL INFORMATION**
**INSTALLATION METHOD**
**SURFACE MOUNT**
**FIXTURE COLOR**
**WHITE ALUMINUM/  
POLYCARBONATE DIFFUSER**
**CONTROL TYPE**
**TRIAC DIMMABLE**

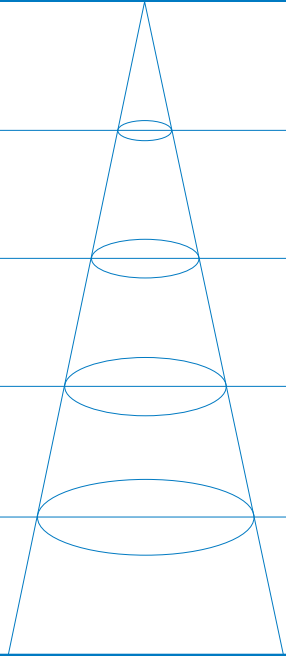
CATALOG #		TYPE
PROJECT		DATE
PREPARED BY		

**PRODUCT CODE: RTFFR56-151-3D-WH**

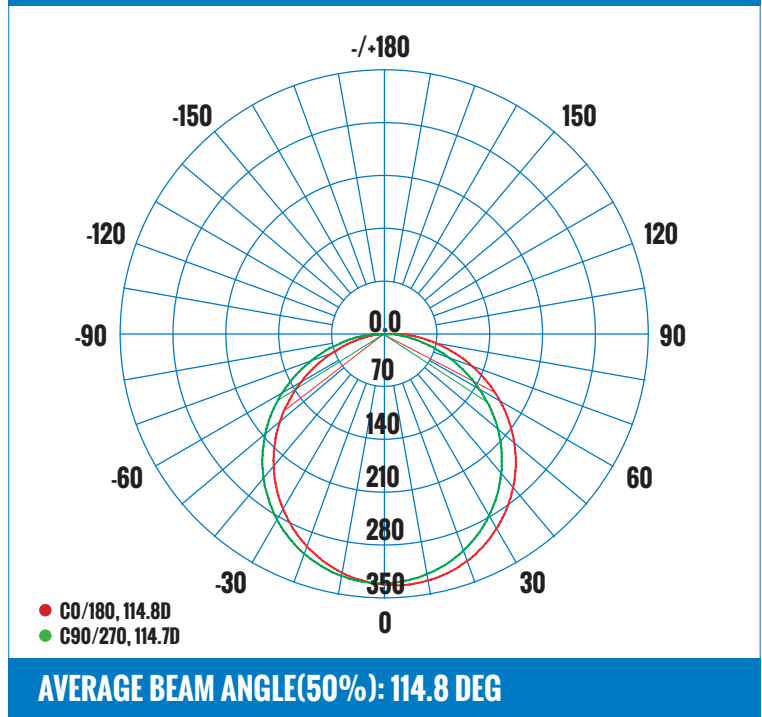
**6 INCH APERTURE DISK LIGHT SURFACE MOUNT**

**LUMINAIRE PHOTOMETRIC (TEST REPORT)**

**ILLUMINANCE (AT A DISTANCE) - FLUX OUT: 740.2LM**

3.281FT 1M	8.546,31.46FC 91.99,338.6LX		10.2FT 311.02CM
6.562FT 2M	2.137,7.865FC 23.00,84.65LX		20.41FT 622.04CM
9.843FT 3M	0.9496,3.495FC 10.22,37.62LX		30.61FT 933.06CM
13.12FT 4M	0.5341,1.966FC 5.750,21.16LX		40.82FT 1244.08CM
16.4FT 5M	0.3419,1.2582FC 3.680,13.54LX		51.02FT 1555.10CM
<b>HT</b>	<b>EAVG/EMAX</b>	<b>ANGLE: 114.51DEG</b>	<b>DIA</b>

**LUMINOUS INTENSITY DISTRIBUTION DIAGRAM**



**CERTIFICATIONS**



**DRIVER/LED CHIP**



**ORDERING INFORMATION - RTFFR SERIES**

SHAPE	STYLE	SIZE	WATTAGE	VOLTAGE	COLOR TEMPERATURE	DIMMABLE	FINISH
E.G. R	TFFR	56	15	1	3	D	WH
R - ROUND	TFFR - THIN FLUSH FIXTURE REVEAL	56 - 6"	15- 15W	1 - 120V	3 - 3000K	D - TRIAC	WH - WHITE

Head Office - 1850 Wilson Ave. · Toronto, ON · M9M 1A1 · Tel: 416.741.7336 · Fax: 416.741.9104

Toll Free: in Canada. 1.800.661.9610 · in USA. 1.888.762.5384 (SOCKETS4U)

www.etlin-daniels.com · For sales/service questions - sales@etlin.com