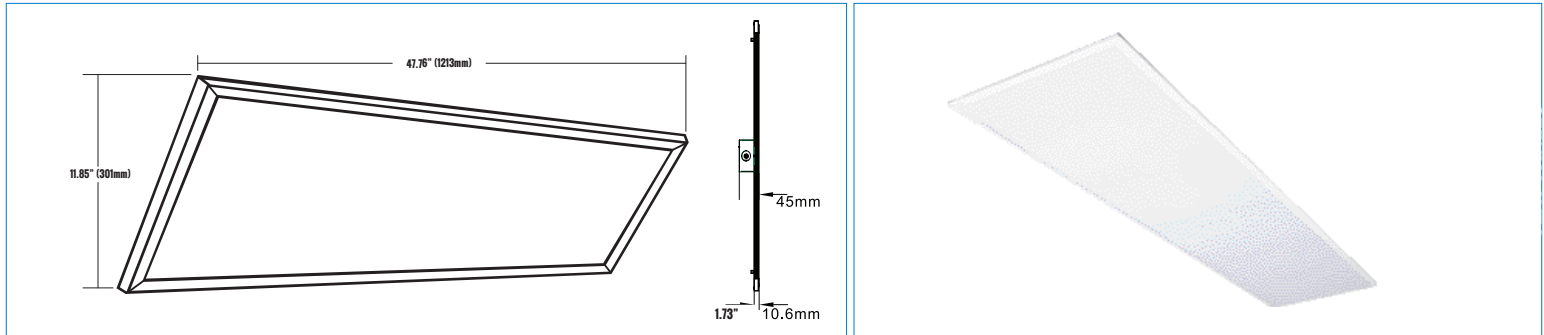


CATALOG #		TYPE
PROJECT		DATE
PREPARED BY		

PRODUCT CODE: RTP414-40U50-WH
1X4 LED ULTRA SLIM FLAT PANEL TROFFER


PRODUCT DESCRIPTION

The Etlin-Daniels RTP414-40U50-WH Ultra-Slim LED Flat Panel Troffers offers energy savings, reduced maintenance and significantly improved illumination over traditional fluorescent fixtures. The Edge-Lit, high performance diode components and premium lens provide for even and glare-free lighting.

This new generation will only initially be available in 120-277V, 4000K, and limited quantities of 5000K. With three mounting options - recessed/surface/suspended - our LED panels will compliment any office, educational, healthcare, commercial or industrial application, whether they be used to retrofit and upgrade the look of an existing site, or installed in a new build.

For further energy savings, take advantage of the 0-10V Continuous Dimming.

FEATURES

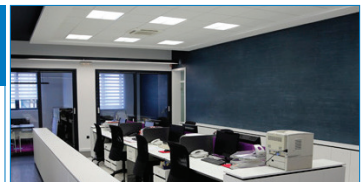
- Indoor LED Light Source.
- Light weight and durable aluminum and polycarbonate housing.
- Edge-Lit surface illumination glare-free uniformity.
- Recessed, Surface & Suspension Mounting available.
- 120-277V.
- Earthquake Clips for secure recessed installations.
- Easy and secure wiring with pre-installed disconnects.
- Damp location rated.
- 0-10V Continuous Dimming.
- 5 year warranty.
- L70 - 50,000 hrs.
- DLC Standard.

PRODUCT SPECIFICATIONS (OPTICAL DATA)

LED TYPE	LED QTY	SYSTEM EFFICACY	LUMENS	COLOR TEMPERATURE	BEAM ANGLE	CRI	VOLTAGE	POWER FREQ.	POWER EFFICIENCY	POWER FACTOR	HARMONIC DISTORTION
SAMSUNG	196 CHIPS	110.89LM/W	4360LM	5000K	115.4°	>80CRI	AC120~277V	50~60HZ	>87%	>0.90	13.8%

PRODUCT SPECIFICATIONS

WATTAGE	FIXTURE MATERIAL	LIFE SPAN	STORAGE TEMP	OPERATING TEMP	PRODUCT DIMENSIONS	CARTON SIZE
40W	ALUMINUM	>50,000 HOURS	-25°C-70°C -13°F-158°F	-20°C~50°C -4°F~122°F	47.76 X 11.85 X 1.73 INCHES (1.77\"H. WITH DRIVER)	50.20 X 3.39 X 13.82 INCHES (1275 X 86 X 351 MM)



ADDITIONAL INFORMATION

INSTALLATION METHOD	FIXTURE COLOR	CONTROL TYPE
RECESSED/SURFACE/SUSPENDED	WHITE ALUMINUM FRAME	0-10V CONTINUOUS DIMMING

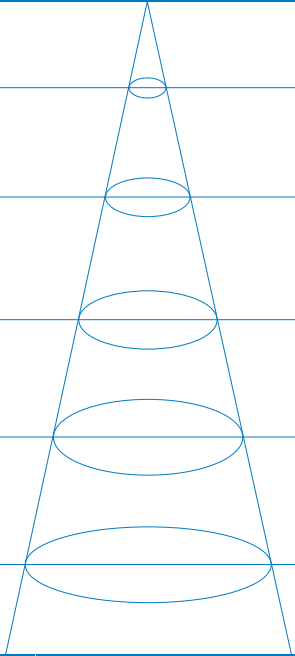
CATALOG #		TYPE
PROJECT		DATE
PREPARED BY		

PRODUCT CODE: RTP414-40U50-WH

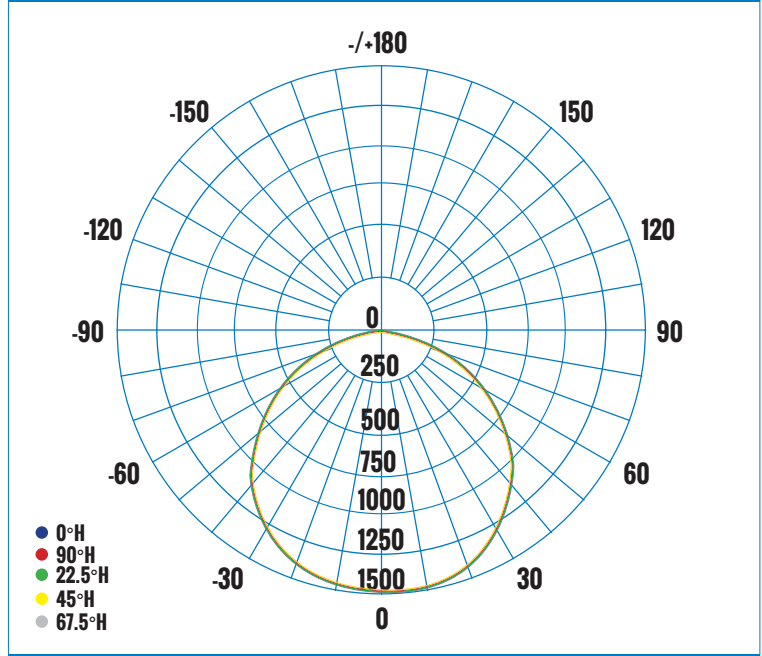
1X4 LED ULTRA SLIM FLAT PANEL TROFFER

LUMINAIRE PHOTOMETRIC (TEST REPORT)

ILLUMINANCE (AT A DISTANCE) -		BEAM WIDTH
2.30FT 0.7M	3,289.50 LUX	
4.26FT 1.3M	822.37 LUX	4.2FT 1.28M
6.56FT 2.0M	365.50 LUX	6.3FT 1.92M
8.86FT 2.7M	205.59 LUX	8.4FT 2.56M
10.83FT 3.3M	131.58 LUX	10.5FT 3.2M
13.12FT 4.0M	91.38 LUX	12.7FT 3.87M
HT	EAVG/EMAX	BEAM SPREAD: 115.4DEG
		DIA



POLAR CANDELA DISTRIBUTION DIAGRAM



AVERAGE BEAM ANGLE(50%): 115.4 DEG

CERTIFICATIONS

DRIVER/LED CHIP



SAMSUNG



MOUNTING OPTIONS



SUSPENSION MOUNT - PART#: RTP4SPM-14U
48" 6 WIRE SUSPENSION



SURFACE DRYWALL MOUNT - PART#: RTP4BXM-14-WH/
RTPBXM-14-WH

ORDERING INFORMATION - RTP4 SERIES

SERIES	DLC TYPE	SIZE	WATTS	VOLTAGE	COLOR TEMPERATURE	DIMMABLE	FINISH
E.G. RTP	4	14	40	U	5	0	WH
RTP - SLIM	4 - DLC4	14 - 1X4	40 - 40W	U - 120-277V	5 - 5000K	0 - 0-10V	WH - WHITE
PANEL TROFFER						CONTINUOUS DIMMING	

Head Office - 1850 Wilson Ave. · Toronto, ON · M9M 1A1 · Tel: 416.741.7336 · Fax: 416.741.9104

Toll Free: in Canada. 1.800.661.9610 · in USA. 1.888.762.5384 (SOCKETS4U)

www.etlin-daniels.com · For sales/service questions - sales@etlin.com