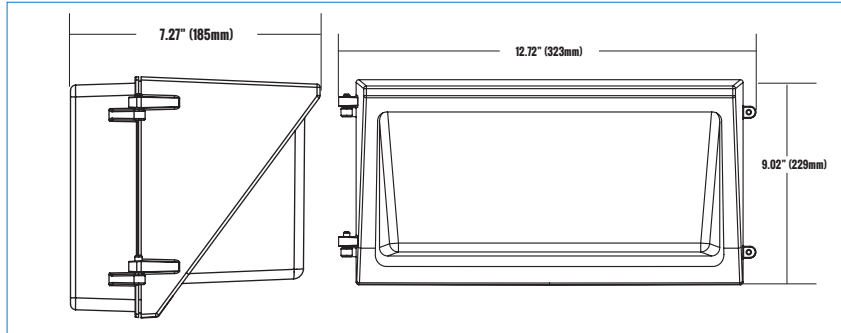


PRODUCT CODE: WP42M45-340-CD
45W LED WALL PACK


PRODUCT DESCRIPTION

The new generation of Etlin-Daniels WP42M Wall Packs offer an easy to install and high lumen efficiency option to replace existing HID Wall Packs. Improvements have been made to the structural components and gasketing that will allow for simpler installation along with longer performance life. Available in 45W to replace 175W HID / 60W to replace 250W HID / 120W to replace 400W HID, in both 120-277V and 347V. For the first time, all 3 wattages are available in the same sized housing, reducing the need to stock different size accessories. And, for those applications where the existing wall pack being removed leaves a worn and faded footprint on the wall, we now offer a Vanity Plate that can be mounted against the wall, improving the aesthetic of the facility. The durable heavy-duty die-cast aluminum body and impact resistant, high efficiency borosilicate glass refractor provide a maintenance free, safe perimeter environment for commercial, industrial, healthcare, residential, retail and hospitality properties. Dark Sky compliant shields and wire guards are available as options. For extra energy savings, take advantage of the available 0-10V Continuous dimming.

FEATURES

- Outdoor LED light source.
- Light weight, heavy duty die-cast aluminum body with rust and corrosion-free powder coat finish
- High efficiency impact-resistant borosilicate glass refractor with wide beam pattern
- Easy to install surface mount options
- 120-277V & 347V options
- 0-10V Continuous Dimming
- IP65 Wet Location rated
- Dark Sky compliant shield and wire guard available
- Vanity Plate available
- 5 year warrant
- L70 - 50,000 hours
- DLC Standard

PRODUCT SPECIFICATIONS (OPTICAL DATA)

PRODUCT SPECIFICATIONS (ELECTRICAL DATA)

LED TYPE	LED QTY	SYSTEM EFFICACY	LUMENS	COLOR TEMPERATURE	BEAM ANGLE	CRI	VOLTAGE	POWER FREQ.	POWER EFFICIENCY	POWER FACTOR	HARMONIC DISTORTION
LUXEON	60 CHIPS	112.7 LM/W	5000LM	4000K	130°	>70CRI	347V	50-60HZ	>87%	>0.90	<20%

PRODUCT SPECIFICATIONS

WATTAGE	FIXTURE MATERIAL	INGRESS PROTECT	LIFE SPAN	STORAGE TEMP	OPERATING TEMP	PRODUCT DIMENSIONS	CARTON SIZE
45W	ALUMINUM/ POLYCARBONATE OPTICAL LENS INCLUDED	IP65	>50,000 HOURS	-40°C--60°C -40°F--140°F	-20°C--45°C -4°F--113°F	12.72 X 9.02 X 7.27 INCHES (323 X 229 X 185 MM)	15.5 X 10.8 X 9.85 INCHES (394 X 274 X 250MM)



ADDITIONAL INFORMATION

INSTALLATION METHOD

WALL MOUNT

FIXTURE COLOR

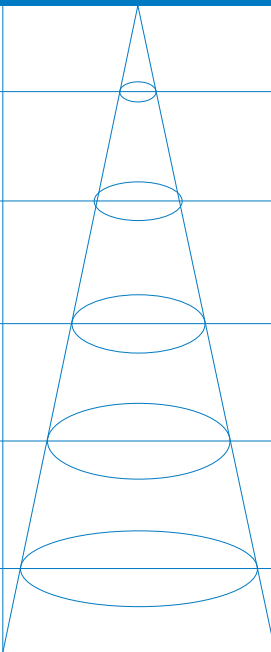
DARK BRONZE FINISH

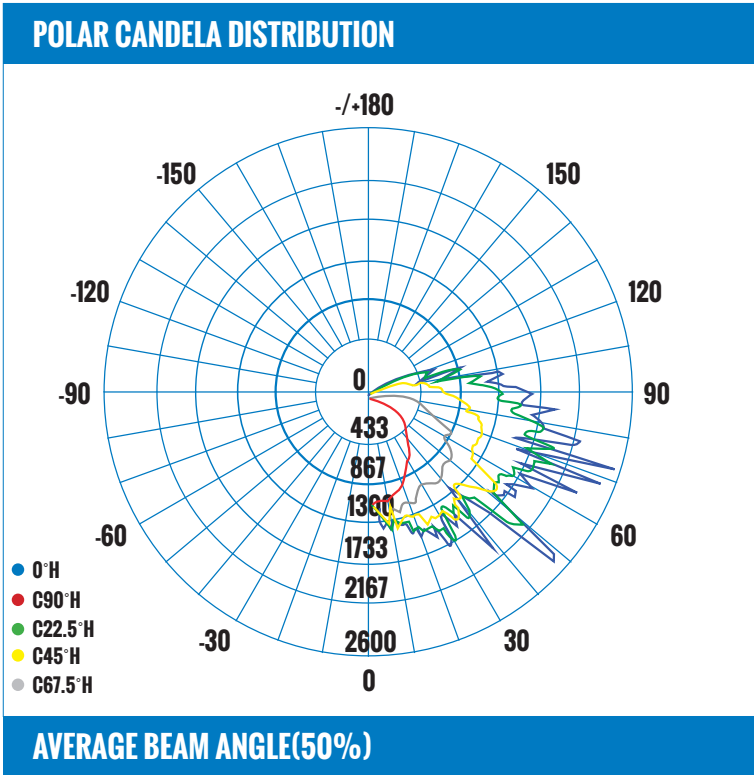
CONTROL TYPE

0 - 10V CONTINUOUS DIMMING

PRODUCT CODE: WP42M45-340-CD **45W LED WALL PACK**

LUMINAIRE PHOTOMETRIC (TEST REPORT)

ILLUMINANCE (AT A DISTANCE) -			VERT BEAM	HORIZ BEAM
17.0FT 5.18M	3.89 FC		37.9FT 11.55M	29.3FT 8.93M
34.0FT 10.36M	0.97 FC		75.8FT 23.10M	58.6FT 17.86M
51.0FT 15.54M	0.43 FC		113.7FT 34.66M	87.9FT 26.79M
68.0FT 20.73M	0.24 FC		151.6FT 46.21M	117.2FT 35.72M
85.0FT 25.91M	0.16 FC		189.5FT 57.76M	146.4FT 44.62M
102.0FT 31.09M	0.11 FC		227.4FT 69.31M	175.7FT 53.55M
HT	EAVG/EMAX	VERT SPREAD: 96.2DEG HORI SPREAD: 81.5DEG	DIA	



CERTIFICATIONS



DRIVER/LED CHIP



ACCESSORIES



ORDERING INFORMATION - WP42M SERIES

SERIES	DLC TYPE	SIZE	WATTS	VOLTAGE	COLOR TEMPERATURE	DIMMABLE	LENS	FINISH
E.G. WP	42	M	45	3	4	0	C	D
WP - WALL PACK	42 - DLC4	M - MEDIUM	45 - 45W	3 - 347V	4 - 4000K	0 - 10V CONTINUOUS DIMMING	C - CLEAR	D - DARK BRONZE