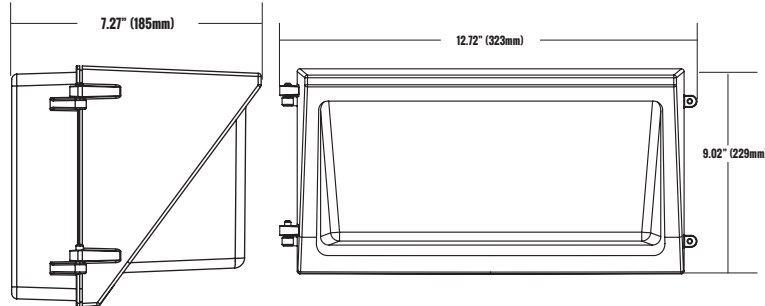


CATALOG #		TYPE
PROJECT		DATE
PREPARED BY		

PRODUCT CODE: WP4M45-35N-CD

45W LED WALL PACK

H58



WALLMOUNT, FLOOD, LANDSCAPE, ACCENT

PRODUCT DESCRIPTION

The Etlin-Daniels WP4M45-35N-CD LED Wall Pack offers an easy to install, surface mount, high lumen efficient option to replace existing HID Wall Packs. Available in 45W to replace 175W HID / 60W to replace 250W HID / 120W to replace 400W HID in both 120-277V & 347V. The durable heavy duty die cast aluminum body and impact resistant, high efficiency borosilicate glass refractor provide a maintenance free, safe perimeter environment for commercial, industrial, healthcare, residential, retail and hospitality properties. Dark sky compliant shields and wire guards are available as options. Suitable for installations in temperatures from -40°C to +40°C.

FEATURES

- Outdoor LED light source
- Light weight, heavy duty die-cast aluminum housing with rust and corrosion-free polyester powder coat finish
- High efficiency impact-resistant borosilicate glass refractor with wide beam pattern
- Easy surface mount options
- 120-277V & 347V options
- IP65 wet location rated
- Dark Sky compliant shield & wire guard available
- 5 year warranty
- 50,000hrs L70
- DLC Standard

PRODUCT SPECIFICATIONS (OPTICAL DATA)

PRODUCT SPECIFICATIONS (ELECTRICAL DATA)

LED TYPE	LED QTY	SYSTEM EFFICACY	LUMENS	COLOR TEMPERATURE	BEAM ANGLE	CRI	VOLTAGE	POWER FREQ.	POWER EFFICIENCY	POWER FACTOR	HARMONIC DISTORTION
LUXEON	60 CHIPS	112.7 LM/W	5071LM	5000K	130°	>70CRI	347V	50-60HZ	>87%	>0.90	<20%

PRODUCT SPECIFICATIONS

WATTAGE	FIXTURE MATERIAL	INGRESS PROTECT	LIFE SPAN	STORAGE TEMP	OPERATING TEMP	PRODUCT DIMENSIONS	CARTON SIZE
45W	ALUMINUM/ POLYCARBONATE OPTICAL LENS INCLUDED	IP65	>50,000 HOURS	-40°C~+40°C -40°F~+104°F	-40°C~+40°C -40°F~+104°F	12.72 X 9.02 X 7.27 INCHES (323 X 229 X 185 MM)	15.5 X 10.8 X 9.85 INCHES (394 X 274 X 250MM)



ADDITIONAL INFORMATION

INSTALLATION METHOD

WALL MOUNT

FIXTURE COLOR

DARK BRONZE FINISH

CONTROL TYPE

NON-DIMMABLE

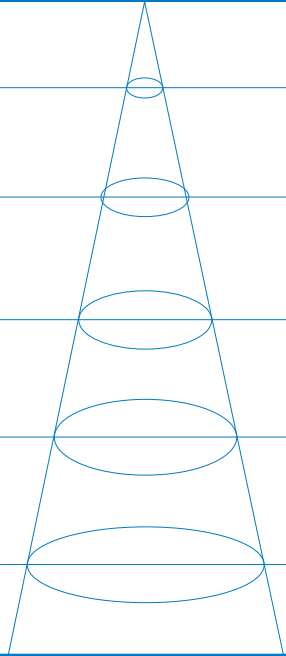
CATALOG #		TYPE
PROJECT		DATE
PREPARED BY		

PRODUCT CODE: WP4M45-35N-CD

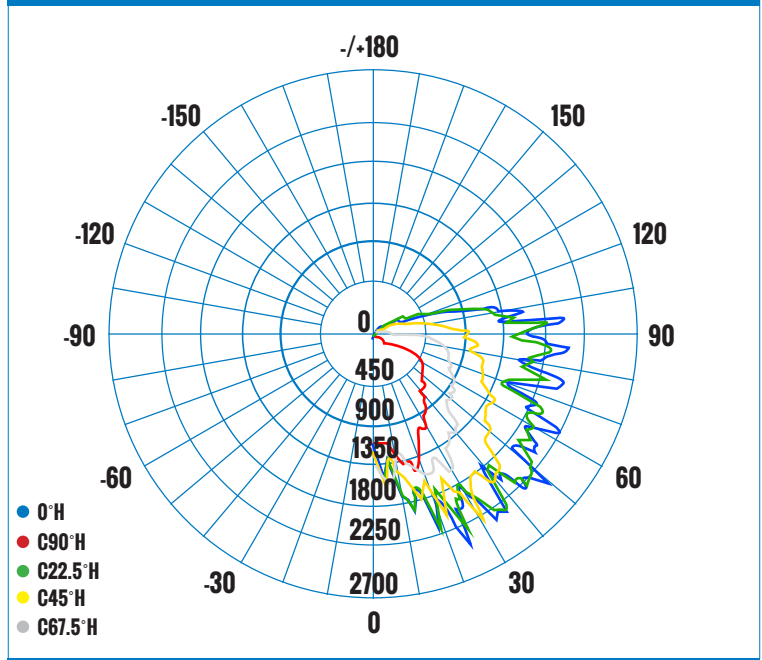
45W LED WALL PACK

LUMINAIRE PHOTOMETRIC (TEST REPORT)

ILLUMINANCE (AT A DISTANCE) - FLUX OUT: 5132LM

17.0FT 5.18M	3.89 FC		96.13FT 29.3M
34.0FT 10.36M	0.97 FC		192.26FT 58.6M
51.0FT 15.54M	0.43 FC		288.39FT 87.9M
68.0FT 20.73M	0.24 FC		384.51FT 117.2M
85.0FT 25.91M	0.16 FC		480.31FT 146.4M
102.0FT 31.09M	0.11 FC		576.44FT 175.7M
HT	EAVG/EMAX	HORIZ. ANGLE: 81.5DEG	DIA

POLAR CANDELA DISTRIBUTION



AVERAGE BEAM ANGLE(50%) - 96.2DEG

CERTIFICATIONS

DRIVER/LED CHIP

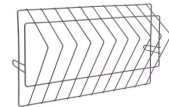


SMD

ACCESSORIES



**VISOR PART#:
WP4M-RF-DB**



**WIRE GUARD PART#:
WP4M-WG-DB**

ORDERING INFORMATION - WP4M45-PC SERIES

SERIES	DLC TYPE	SIZE	WATTS	VOLTAGE	COLOR TEMPERATURE	DIMMABLE	LENS	FINISH
E.G. WP	4	M	45	3	5	N	C	D
WP - WALL PACK	4 - DLC4	M - MEDIUM	45 - 45W	3 - 347V	5 - 5000K	N - NO	C - CLEAR	D - DARK BRONZE

Head Office - 1850 Wilson Ave. · Toronto, ON · M9M 1A1 · Tel: 416.741.7336 · Fax: 416.741.9104

Toll Free: in Canada. 1.800.661.9610 · in USA. 1.888.762.5384 (SOCKETS4U)

www.etlin-daniels.com · For sales/service questions - sales@etlin.com