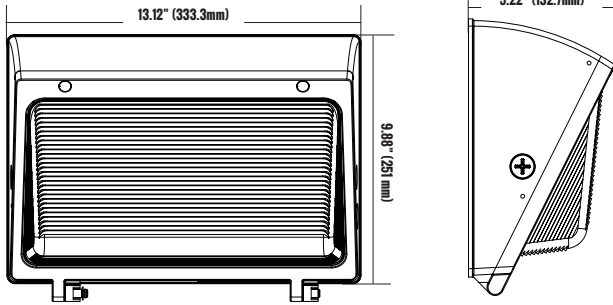


PRODUCT CODE: WP5M-4060-W50-CD

MULTI-WATTAGE 40W / 60W LED WALL PACK



PRODUCT DESCRIPTION

Etlin-Daniels new generation of WP5M LED Classic Wall Packs offer an easy to install, high efficacy option to either replace existing and inefficient HID wall packs, or for your new construction projects. Available in both 4000K & 5000K, in 120-347V, the WP5M series features a Wattage Selection Switch. On the lower wattage design, you can adjust between 40W & 60W. On the higher wattage design, you can adjust between 80W, 100W and 120W. Both wattage designs use the same size housing which allows for only one Wire Guard option as well as only one Dark Sky Compliant Shield option. The durable heavy-duty die-cast aluminum body and impact resistant, high efficiency borosilicate glass refractor provide a maintenance-free, safe perimeter environment for commercial, industrial, healthcare, residential, retail and hospitality properties. For further energy savings, take advantage of the 0-10V Continuous Dimming option.

FEATURES

- Outdoor LED Light Source.
- Light weight, heavy duty die-cast aluminum body with rust and corrosion-free powder coat finish
- High efficiency impact-resistant borosilicate glass refractor with wide beam pattern
- Wattage Selectable Switch - 40W/60W & 80W/100W/120W
- Easy to install surface mount options
- 0-10V Continuous Dimming
- IP65 Wet Location rated
- Dark Sky compliant shield and wire guard available
- 5 year warranty
- L70 - 50,000 hours
- DLC Premium

PRODUCT SPECIFICATIONS (OPTICAL DATA)

PRODUCT SPECIFICATIONS (ELECTRICAL DATA)

LED TYPE	LED QTY	SYSTEM EFFICACY	LUMENS	COLOR TEMPERATURE	BEAM ANGLE	CRI	VOLTAGE	POWER FREQ.	POWER EFFICIENCY	POWER FACTOR	HARMONIC DISTORTION
LUMILEDS	225 CHIPS	144.42 LM/W 137.32 LM/W	5776LM 8239LM	5000K	90° x 100°	>80CRI	120 - 347V	50-60HZ	>90%	>0.90	<20%

PRODUCT SPECIFICATIONS

WATTAGE	FIXTURE MATERIAL	INGRESS PROTECT	LIFE SPAN	STORAGE TEMP	OPERATING TEMP	PRODUCT DIMENSIONS	CARTON SIZE
40W / 60W	ALUMINUM/ BOROSILICATE OPTICAL LENS INCLUDED	IP65	>50,000 HOURS	- 40° C--70° C - 40° F--158° F	- 40° C--45° C - 40° F--113° F	13.11 X 9.88 X 5.22 INCHES (333 X 251 X 132 MM)	15.66 X 12.59 X 8.18 INCHES (398 X 320 X 208MM)



ADDITIONAL INFORMATION

INSTALLATION METHOD

WALL MOUNT

FIXTURE COLOR

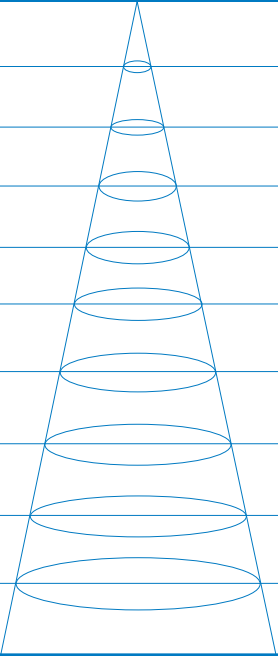
DARK BRONZE FINISH

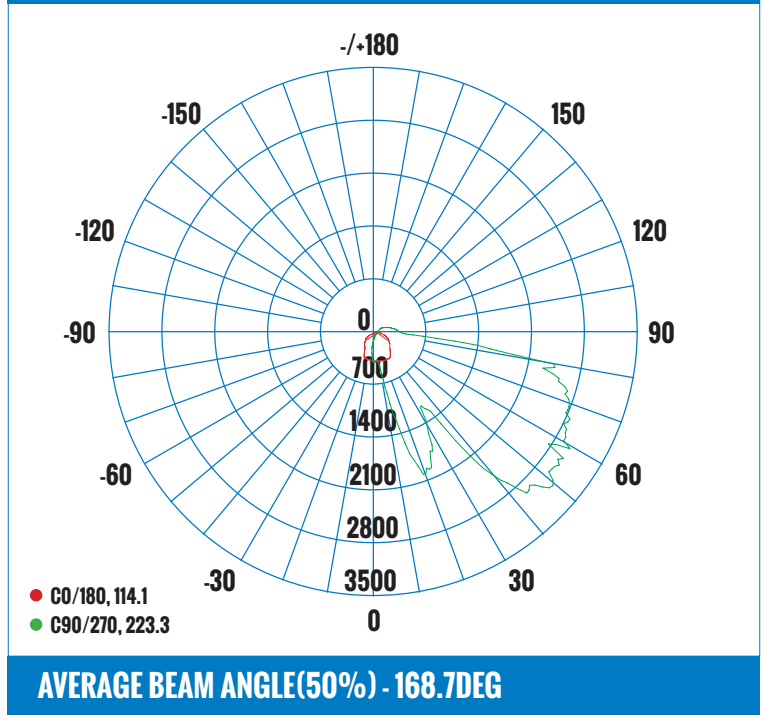
CONTROL TYPE

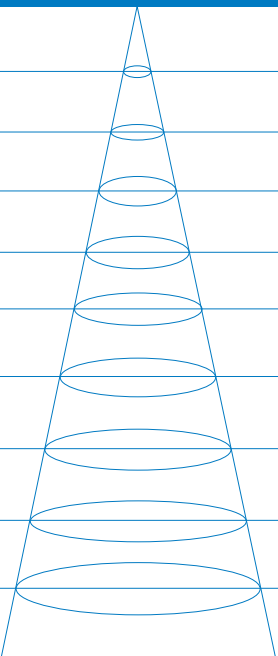
0 - 10V CONTINUOUS DIMMING

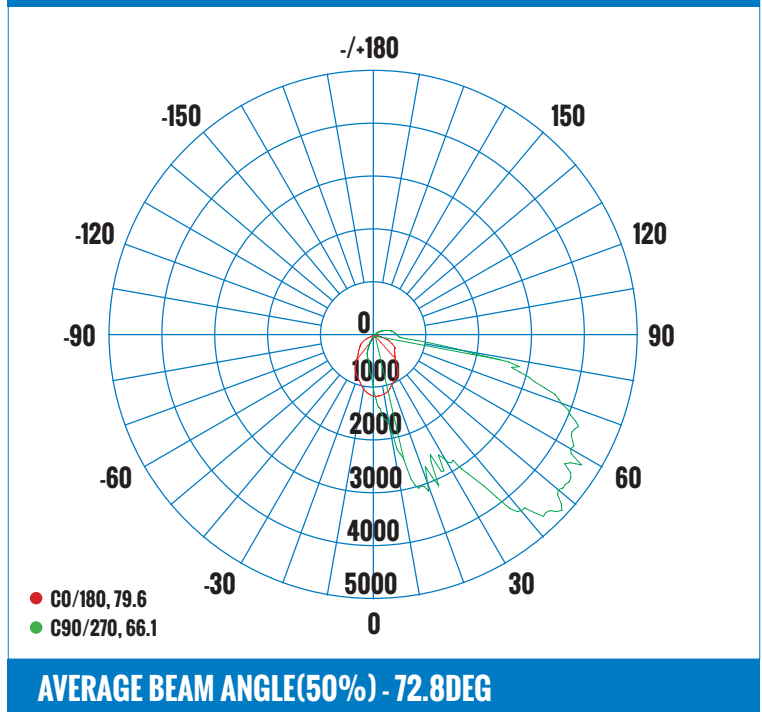
PRODUCT CODE: WP5M-4060-W50-CD
MULTI-WATTAGE 40W / 60W LED WALL PACK

LUMINAIRE PHOTOMETRIC (TEST REPORT) - 40W
ILLUMINANCE (AT A DISTANCE) - FLUX OUT: 2384LM

3.28FT 1M	296.3, 1716LX		10.13FT 308.79CM
6.56FT 2M	74.06, 429.1LX		20.26FT 617.59CM
9.84FT 3M	32.92, 190.7LX		30.39FT 926.38CM
13.12FT 4M	18.52, 107.3LX		40.52FT 1235.17CM
16.4FT 5M	11.85, 68.65LX		50.65FT 1543.97CM
19.68FT 6M	8.229, 47.68LX		60.78FT 1852.76CM
22.96FT 7M	6.046, 35.03LX		70.91FT 2161.56CM
26.24FT 8M	4.629, 26.82LX		81.04FT 2470.35CM
29.52FT 9M	3.657, 21.19LX		91.18FT 2779.14CM
32.8FT 10M	2.963, 17.16LX		101.31FT 3087.94CM
HT	EAVG/EMAX	ANGLE: 114.14DEG	DIA

LUMINOUS INTENSITY DISTRIBUTION DIAGRAM

LUMINAIRE PHOTOMETRIC (TEST REPORT) - 60W
ILLUMINANCE (AT A DISTANCE) - FLUX OUT: 1429LM

10FT 3.048M	107.7, 290.3LX		10.13FT 396.74CM
12FT 3.658M	74.76, 201.6LX		20.26FT 476.09CM
16FT 4.877M	42.05, 113.4LX		30.39FT 634.78CM
20FT 6.096M	26.91, 72.57LX		40.52FT 793.48CM
30FT 9.14M	11.96, 32.25LX		50.65FT 1190.22CM
35FT 10.67M	8.788, 23.70LX		60.78FT 1388.59CM
40FT 12.19M	6.728, 18.14LX		70.91FT 1586.96CM
45FT 13.72M	5.316, 14.33LX		81.04FT 1785.33CM
50FT 15.24M	4.306, 11.61LX		91.18FT 1983.70CM
55FT 16.76M	3.559, 9.596LX		101.31FT 2182.07CM
HT	EAVG/EMAX	ANGLE: 66.11DEG	DIA

LUMINOUS INTENSITY DISTRIBUTION DIAGRAM


PRODUCT CODE: WP5M-4060-W50-CD

MULTI-WATTAGE 40W / 60W LED WALL PACK

CERTIFICATIONS



CAN ICES-005 (B) / NMB-005 (B)

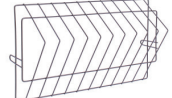
DRIVER/LED CHIP

LUMILEDS

ACCESSORIES



**VISOR PART#:
WP5M-RF-DB**



**WIRE GUARD PART#:
WP5M-WG-DB**

ORDERING INFORMATION - WP5M SERIES

SERIES	DLC TYPE	SIZE	WATTS	VOLTAGE	COLOR TEMPERATURE	DIMMABLE	LENS	FINISH
E.G. WP	5	M	4060	W	5	0	C	D
WP - WALL PACK	5 - DLC	M - MEDIUM	4060 - 40W / 60W	W - 120 - 347V	5 - 5000K	0 - 10V CONTINUOUS DIMMING	C - CLEAR	D - DARK BRONZE

Head Office - 1850 Wilson Ave. · Toronto, ON · M9M 1A1 · **Tel:** 416.741.7336 · **Fax:** 416.741.9104

Toll Free: in Canada. 1.800.661.9610 · in USA. 1.888.762.5384 (SOCKETS4U)

www.etlin-daniels.com · For sales/service questions - sales@etlin.com