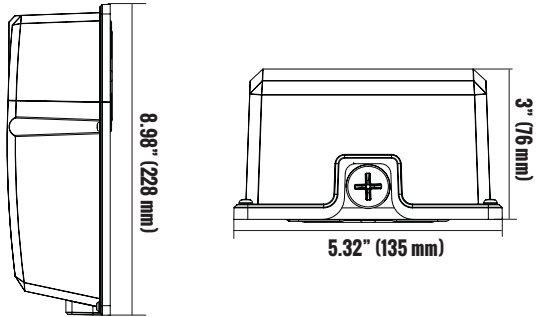


**PRODUCT CODE: WPS20-U4N-FD-PC**
**20W LED WALL PACK/BUILT-IN PHOTOCELL**


### PRODUCT DESCRIPTION

The new Etlin-Daniels WPS20-U4N-FD-PC LED Mini Wall Pack is the perfect solution for commercial, industrial and multi-res wall wash applications. With its built-in photocell and frosted lens, it provides energy efficiency with even distribution and striation-free illumination.

Whether you are replacing inefficient incandescent, CFL or HID fixtures, or working on a new build, the easy-to-install WPS20 will provide a safe, energy efficient and maintenance free environment.

### FEATURES

- Outdoor LED Light Source
- Sealed die-cast aluminum housing - built-in photocell
- Junction-box or wall-mount ready
- IP65 - Wet location Rated
- Non-dimmable
- 5 year warranty
- L70 - 50,000 hrs
- DLC Standard

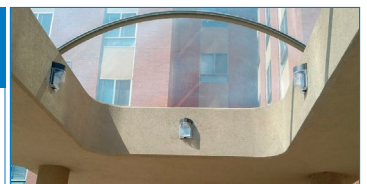
### PRODUCT SPECIFICATIONS (OPTICAL DATA)

### PRODUCT SPECIFICATIONS (ELECTRICAL DATA)

LED TYPE	LED QTY	SYSTEM EFFICACY	LUMENS	COLOR TEMPERATURE	BEAM ANGLE	CRI	VOLTAGE	POWER FREQ.	POWER EFFICIENCY	POWER FACTOR	HARMONIC DISTORTION
2835 SMD	48 CHIPS	110LM/W	2200LM	4000K	90° x 100°	>80CRI	AC120V~277V	50 / 60HZ	85%	0.9	<20%

### PRODUCT SPECIFICATIONS

WATTAGE	FIXTURE MATERIAL	INGRESS PROTECT	LIFE SPAN	STORAGE TEMP	OPERATING TEMP	PRODUCT DIMENSIONS	CARTON SIZE
20W	ALUMINUM/POLYCARBONATE OPTICAL LENS	IP65	>50,000 HOURS	-30°C~+50°C -22°F~+122°F	-20°C~+40°C -4°F~+104°F	5.32 X 3 X 8.98 INCHES (135 X 76 X 228 MM)	9.25 X 5.59 X 3.30 INCHES (235 X 142 X 84MM)



### ADDITIONAL INFORMATION

#### INSTALLATION METHOD

#### FIXTURE COLOR

#### CONTROL TYPE

**WALL MOUNT**
**DARK BRONZE FINISH**
**NON-DIMMABLE**

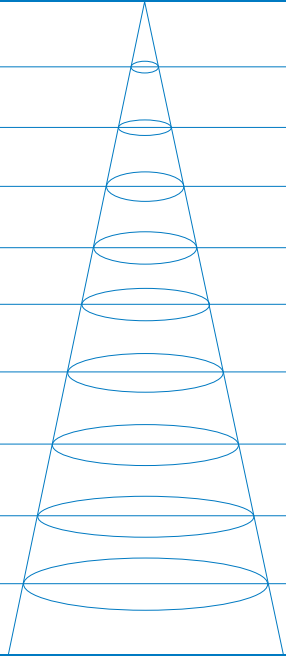
CATALOG #		TYPE
PROJECT		DATE
PREPARED BY		

**PRODUCT CODE: WPS20-U4N-FD-PC**

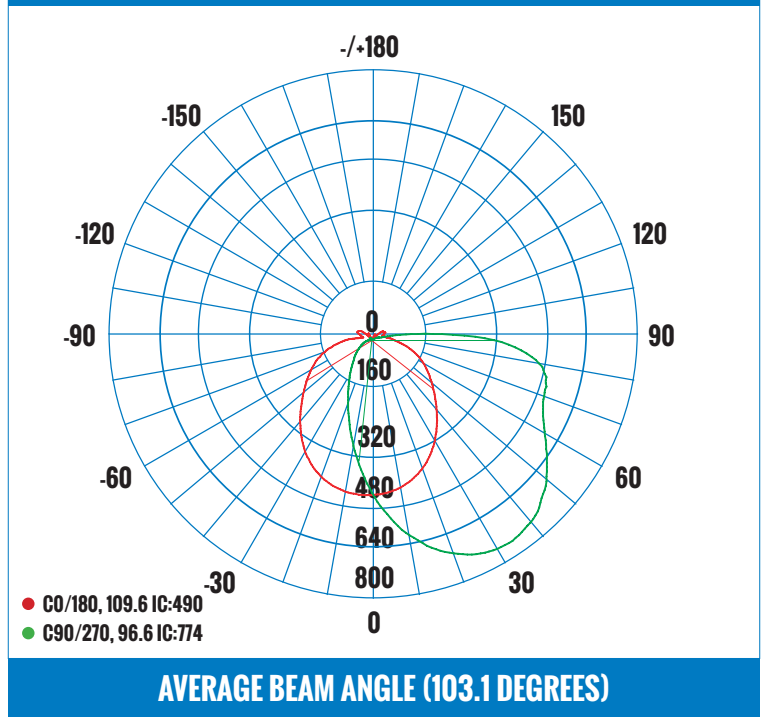
**20W LED WALL PACK/BUILT-IN PHOTOCELL**

**LUMINAIRE PHOTOMETRIC (TEST REPORT)**

**ILLUMINANCE (AT A DISTANCE) - FLUX OUT: 892.5LM**

3.28FT 1M	214.7, 606.4LX		7.35FT 2.24M
6.56FT 2M	53.67, 151.6LX		14.71FT 4.48M
9.84FT 3M	23.85, 67.38LX		22.07FT 6.72M
13.12FT 4M	13.42, 37.90LX		29.43FT 8.97M
16.40FT 5M	8.587, 24.26LX		36.78FT 11.21M
19.69FT 6M	5.963, 16.84LX		44.14FT 13.45M
22.97FT 7M	4.381, 12.38LX		51.50FT 15.69M
26.25FT 8M	3.354, 9.475LX		58.86FT 17.94M
29.52FT 9M	2.650, 7.487LX		66.21FT 20.18M
32.80FT 10M	2.147, 6.064LX		73.57FT 22.42M
<b>HT</b>	<b>EAVG/EMAX</b>	<b>ANGLE: 96.55DEG</b>	<b>DIA</b>

**POLAR CANDELA DISTRIBUTION DIAGRAM**



**CERTIFICATIONS**



**DRIVER/LED CHIP**

**SMD**

**ORDERING INFORMATION - WPS18-U5N-FD-PC**

SERIES	SIZE	WATTS	VOLTAGE	COLOR TEMPERATURE	DIMMABLE	LENS	FINISH	FEATURES
E.G. WP	S	20	U	4	N	F	D	PC
WP - WALL PACK	S - SMALL	20 - 20W	U - 120-277V	4 - 4000K	N - NO	F - FROSTED	D - DARK BRONZE	PC - PHOTOCELL (INCLUDED)

Head Office - 1850 Wilson Ave. · Toronto, ON · M9M 1A1 · Tel: 416.741.7336 · Fax: 416.741.9104

Toll Free: in Canada. 1.800.661.9610 · in USA. 1.888.762.5384 (SOCKETS4U)

www.etlin-daniels.com · For sales/service questions - sales@etlin.com